

IVECO
PARTS

DATE 20-12-90

VERG/DUP 5005-17

6218539

PAGE 1

DESCRIPTIONS AND REMARKS

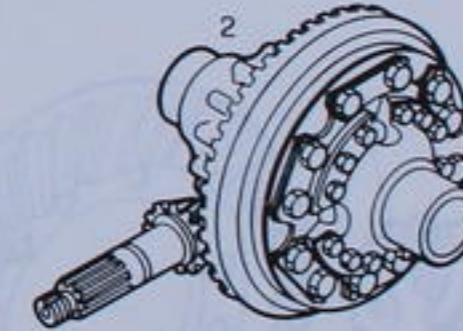
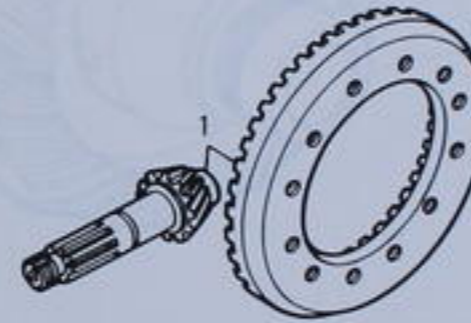
ITEM	P. NUMBER	QTY	TO-NR COD PROT	DESCRIPTION REMARK	DESIGNATION DESCRIZIONE	BENENNING DENOMINACIONES
2	7167795	1	5020-16	GASKET	JOINT	DICHTUNG
3	7167796	1	5020-16	LEVER	GUARNIZIONE LEVIER	JUNTA HEBEL
4	7167797	1	5020-16	STOP PLATE	LEVA PLAQUE INTERMED.	PALANCA ZWISCHENPLATTE
5	7167798	1	5020-16	GASKET	MOSTRINA JOINT	PLACA INTERMEDIA DICHTUNG
6	7167800	1	5020-16	SPRING	GUARNIZIONE RESSORT	JUNTA FEDER
7	7167801	1	5020-16	SPRING	MOLLA RESSORT	RESORTE FEDER
8	7167958	1	5020-16	LEVER	MOLLA LEVIER	RESORTE HEBEL
9	7167960	1	5020-16	OUTER SUPPORT	LEVA SUPPORT/APPUI	PALANCA STUETZE
10	7169399	1	5220-17	SLEEVE-DIFFERENT.	SUPPORTO MANCHON BALAD.DIFF	SOPORTE SCHIEBEMUFFE DIFF.
14	14453180	1	8899-99	O-RING	MANICOTTO SC.DIFF. O-RING	BRIDA CAJA DIF. O-RING
15	14606970	1	8899-99	DOWEL PIN	O-RING GOUPILLE SERRAGE	ANILLO SPANNSTIFT
16	15896211	1	1110-03	HEX. NUT M6	SPINA ELASTICA	PERNO FIADOR
18	16045021	1	8899-99	HEX. BOLT M8X90	ECROU 6 PANS DADO ESAGONALE	SECHSKANTMUTTER TUERCA HEXAGONAL
19	10516673	1	1122-04	SPRING WASHER DIAM=8,1MM	VIS 6 PANS VITE TESTA ESAGONA	SECHSKANTSCHRAUBE TORNILLO HEXAGONAL
20	10902721	1	8899-99	HEX. BOLT M6	ROSETTA ELASTICA VITE 6 PANS	FEDERSCHEIBE ARANDELA ELASTICA
21	16043424	1	8899-99	HEX. BOLT M8X20	VITE TESTA ESAGONA VITE 6 PANS	SECHSKANTSCHRAUBE TORNILLO HEXAGONAL
					VITE TESTA ESAGONA	TORNILLO HEXAGONAL

IVECO

Differential for rear axle, compl.
Nax de pont pour essieu arriere, compl.
Achskopf für Hinterachse, kompl.
Diferenziale su ponte, compl.
Diferencial para eje trasero, completo



5002-17 621 8539



88528

IVECO
PARTS

DATE 12-90

SUBGROUP 5002-17

6218539

PAGE 1

DESCRIPTIONS AND REMARKS

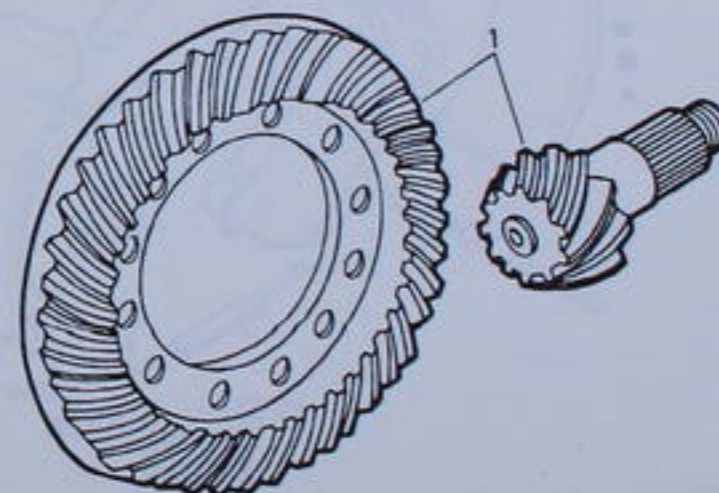
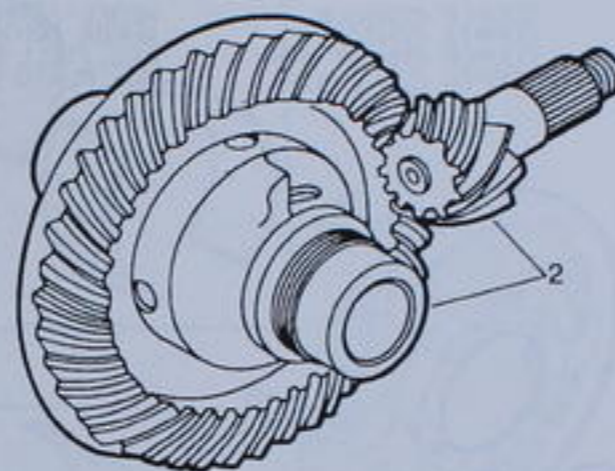
ITEM	P. NUMBER	QTY.	TO-NR COD PROT	DESCRIPTION REMARK	DESIGNATION DESCRIZIONE	BENENNUNG DENOMINATIONES
1	7168035	1	5020-17	BEVEL DRIVE Z=7/43	COUPLE CONIQUE COPPIA CONICA	KEGEL-/TELLERRAD RUEDA CONICA
2	7168088	1	5020-17	BEVEL DRIVE + DIFF ASSY Z=7/43-R=1/6,14	COUPLE CON ET DIFF COPPIA CON E DIFF.	KEG /TELL-RAD+DIFF ROD. PLATO CON.+DIF

IVECO

Driving Axle Differential Unit - Components
Différenciel de pont-essieu - Pièces
Antriebsachse Achskopf - Teile
Differenziale motoassale - Parti
Diferencial eje accionado - Piezas



5000-17 621 8540



IVECO
PARTS

DATE 12-10 SUBGROUP 5000-17 6218540

PAGE 1

DESCRIPTIONS AND REMARKS

ITEM	P. NUMBER	QTY	TO-NR COD PROT	DESCRIPTION REMARK	DESIGNATION DESCRIZIONE	BENENNUNG DENOMINATIONES
1	7168035	1	5020-17	BEVEL DRIVE Z=7/43	COUPLE CONIQUE COPPIA CONICA	KEGEL-/TELLERRAD RUEDA CONICA
2	7168088	1	5020-17	BEVEL DRIVE + DIFF ASST Z=7/43-R=1/6, 14	COUPLE CON. ET DIFF. COPPIA CON. E DIFF.	KEG./TELL. RAD+DIFF RDA. PLATO CON. +DIF.

IVECO

Rear Wheel Brake
Frein de roue AR
Hinterradbremse
Freno ruote posteriori
Freno de rueda trasera

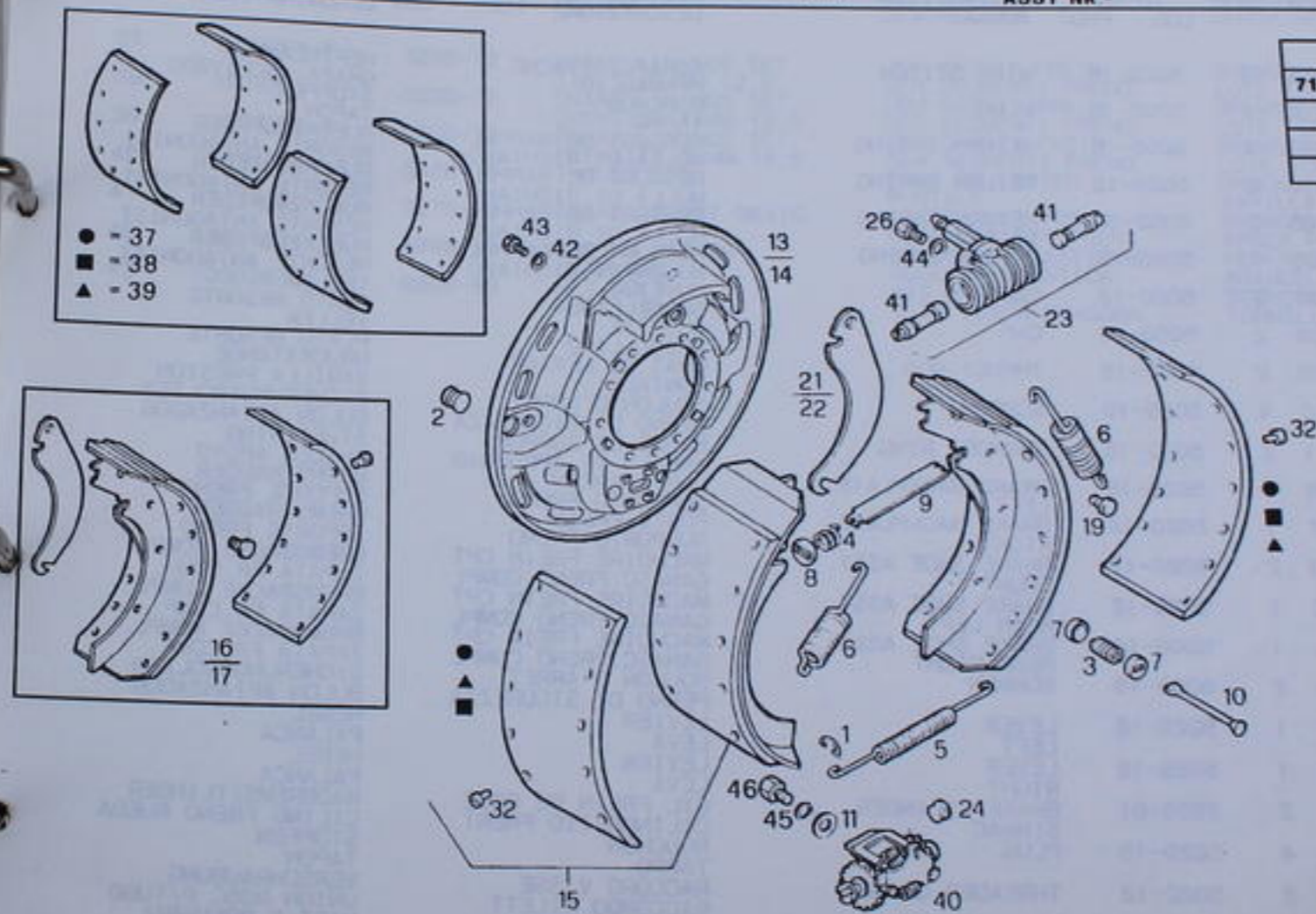
Components
Pieces
Teile
Parti
Piezas



ASSY NR.

5052-18 621 9212

ASSY NR.	
7165803	7165804



ITEM	P. NUMBER	QTY	TO-NR COD PROT	DESCRIPTION REMARK	DESIGNATION DESCRIZIONE	BENENNUNG DENOMINACIONES
1	7165200	2	5020-18	WIRE STITCH	AGRAFE/ATTACHE FERMAGLIO	HEFTKLAMMER GRAPA ARCHIVADO
2	7165202	4	5000-18	PLUG	BOUCHON TAPPO	STOPFEN
3	7165203	4	5050-18	RETURN SPRING	RESSORT DE RAPPEL MOLLA DI RICHIAMO	RUECKZUGFEDER RESORTE ANTAGONIST
4	7165204	2	5020-18	RETURN SPRING	RESSORT DE RAPPEL MOLLA DI RICHIAMO	RUECKZUGFEDER RESORTE ANTAGONIST
5	7165205	2	5052-18	RETURN SPRING BOTTOM	RESSORT DE RAPPEL MOLLA DI RICHIAMO	RUECKZUGFEDER RESORTE ANTAGONIST
6	7165206	4	5050-18	RETURN SPRING TOP	RESSORT DE RAPPEL MOLLA DI RICHIAMO	RUECKZUGFEDER RESORTE ANTAGONIST
7	7165207	8	5050-18	CAP	CUVETTE SCODELLINO	TELLER
8	7165208	2	5050-18	CAP	CUVETTE SCODELLINO	PLATO RESORTE TELLER
9	7165209	2	5050-18	THRUST ROD	BRAS DE LEVIER PUNTALE	DRUCKSTANGE VARILLA PRESION
10	7165210	4	5050-10	SCREEN	BOULON D'ARRET PERNO DI SICUREZZA	SICHERUNGSBOLZEN BULON AFIANZADOR
11	7165211	2	5020-18	SUPPORT RING	BAGUE DE SUPPORT ANELLO DI APPOGGIO	STUETZRING
13	7165216	1	5020-18	BRAKE BACKPLATE LEFT	PORTE-FREIN SUPPORTO FRENO	ANILLO APOYO BREMSTRAEGER
14	7165217	1	5020-18	BRAKE BACKPLATE RIGHT	PORTE-FREIN SUPPORTO FRENO	SOPORTE FRENO BREMSTRAEGER
15	7165218	2	5020-12	BRAKE SHOE ASSY. FRONT	MACHOIRE FREIN CPT GANASC FRENO COMPL	SOPORTE FRENO BREMSSACKE KOMPL.
16	7165220	1	5020-12	BRAKE SHOE ASSY. REAR LEFT	MACHOIRE FREIN CPT GANASC FRENO COMPL	ZAPATA FR. COMP. BREMSSACKE KOMPL.
17	7165221	1	5000-18	BRAKE SHOE ASSY. REAR RIGHT	MACHOIRE FREIN CPT GANASC FRENO COMPL	ZAPATA FR. COMP. BREMSSACKE KOMPL.
19	7165226	2	5020-18	SCREEN	BOULON D'ARRET PERNO DI SICUREZZA	ZAPATA FR. COMP. SICHERUNGSBOLZEN
21	7165229	1	5020-18	LEVER LEFT	LEVIER LEVA	BULON AFIANZADOR HEBEL
22	7165230	1	5020-18	LEVER RIGHT	LEVIER LEVA	PALANCA HEBEL
23	7165802	2	7820-01	BRAKE CYLINDER	CYL. FREIN DE ROUE CILINDRETTO FRENI	PALANCA RADBREMSSYLINDER
24	7165935	4	5020-18	SIRMAC PLUG	BOUCHON TAPPO	CILIND. FRENO RUEDA STOPFEN
26	8535842	2	5020-12	THREADED UNION	RACCORD VISSE RACCORDO FILETT	TAPON VERSCHRAUBUNG
32	38528704	26	5290-72	BRAKE RIVET	RIVET DE FREIN RIBATTINO FRENO	UNION ROSC P/TUBO NIET F. BREMSBEL. REMACHE FRENO

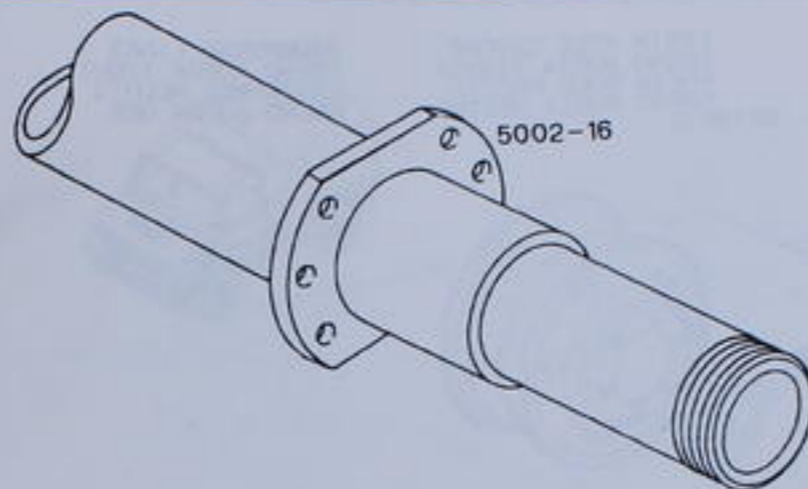
ITEM	P. NUMBER	QTY	TO-NR COD PROT	DESCRIPTION REMARK	DESIGNATION DESCRIZIONE	BENENNUNG DENOMINACIONES
37	1903254	F	5200-72	BRAKE LININGS SET STD SIZE-MM 12,6	JEU GARNIT. FREIN SER. SEGMENTI FRENO	BREMSBELAG SATZ LOTE FORRO FRENO
38	1903255	F	5200-72	BRAKE LININGS SET OVERSIZE 1-MM. 13,6	JEU GARNIT. FREIN SER. SEGMENTI FRENO	BREMSBELAG SATZ LOTE FORRO FRENO
39	1903256	F	5200-72	BRAKE LININGS SET OVERSIZE 2-MM. 14,6	JEU GARNIT. FREIN SER. SEGMENTI FRENO	BREMSBELAG SATZ LOTE FORRO FRENO
40	791694	1	5420-14	THRUST ROD	BRAS DE LEVIER PUNTALE	DRUCKSTANGE VARILLA PRESION
41	7170420	2	5275-72	BRAKE ADJUST. DEVIC	RATTRAPPEUR FREIN DISP. REGISTR. FRENI	BREMSSACHSTELLER APROX. FRENO
42	10571574	1	8899-99	SPRING WASHER DIAM=6MM	ROSETTE ELASTIQUE ROSETTA ELASTICA	FEDERSCHEIBE ARANDELA ELASTICA
43	10902633	1	8899-99	HEX. BOLT M12X1,5X20	VIS 6 PANS VITE TESTA ESAGONA	SECHSKANTSCHRAUBE TORNILLO HEXAGONAL

IVECO

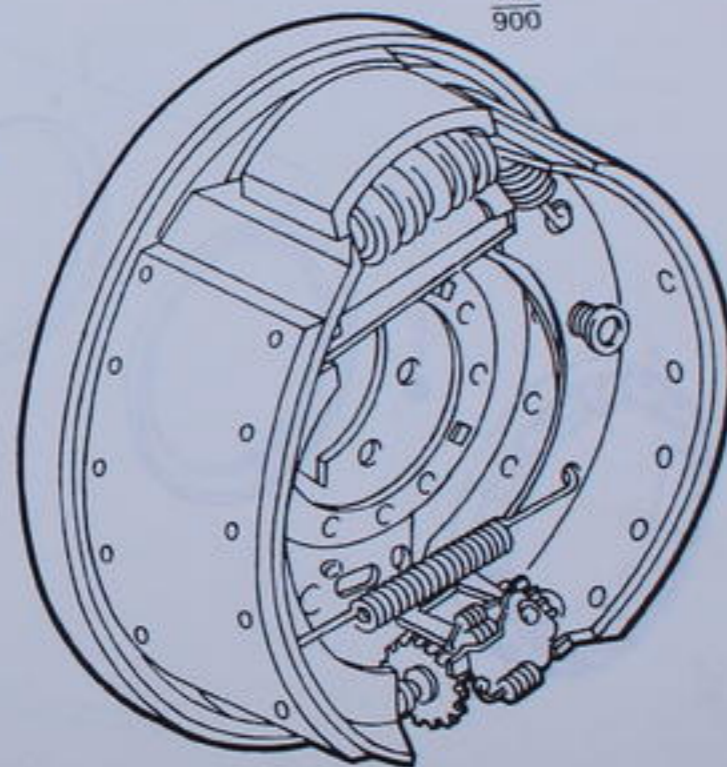
Rear Axle Brakes
Frein pont
Hinterradbremse
Freno ponte
Freno eje posterior



5000-18 621 9240



5002-16



1-2
900

IVECO
PARTS

DATE 30-12-90 SUBGROUP 5000-18 6219240

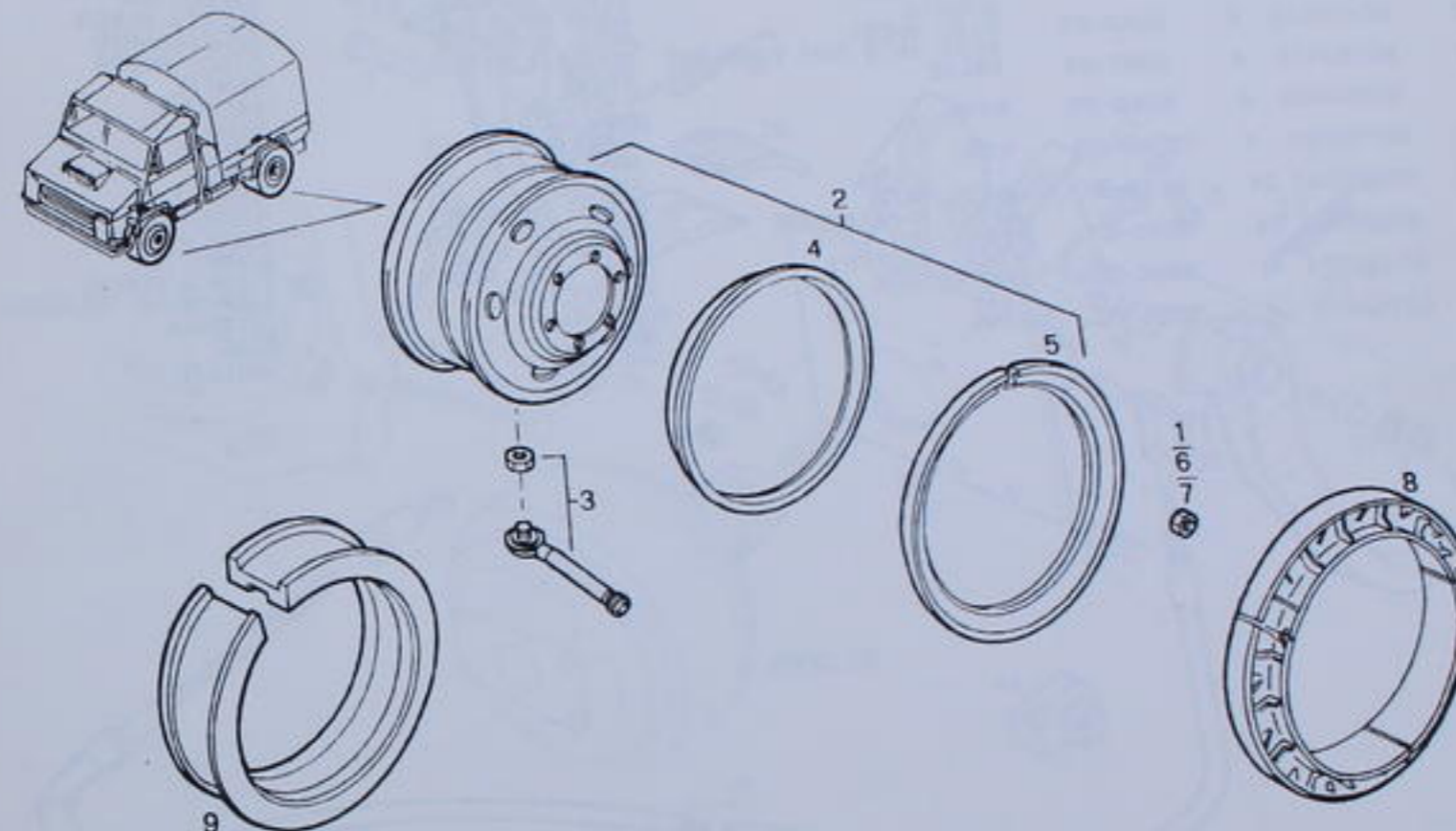
PAGE 1

ITEM	P. NUMBER	QTY	TO-NR COD PROT	DESCRIPTION REMARK	DESIGNATION DESCRIZIONE	BENENNING DENOMINATIONES
1	7165803	1	5020-12	WHEEL BRAKE LEFT ASSY LEFT	FREIN ROUE GAUCHE FRENO RUOTA SINIST	RADBREMSE LINKS FRENO RUEDA IZQUI.
2	7165804	1	5020-12	WHEEL BRAKE RIGHT ASSY RIGHT	FREIN ROUE DROITE FRENO RUOTA DESTRO	RADBREMSE RECHTS FRENO RUEDA DER.
900	*			SEE PL 5052-18	6219212	

IVECO

Wheels
Roues
Räder
Ruote
Ruedas

5000-25 622 5177



IVECO
PARTS

DATE 12-90 SUBGROUP 5000-25

6225177

PAGE 1

DESCRIPTIONS AND REMARKS

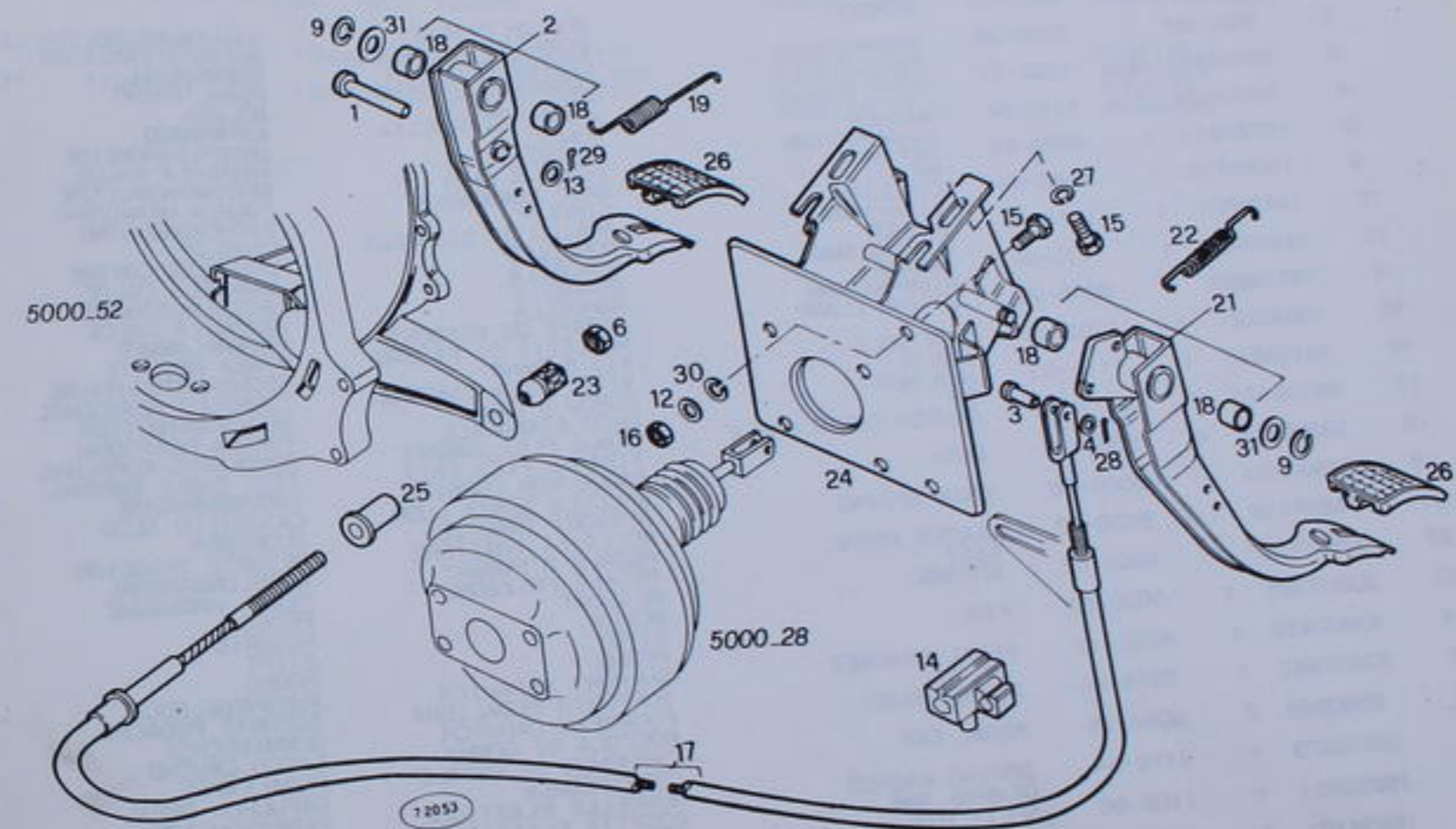
ITEM	P. NUMBER	QTY	TO-NR COD PROT	DESCRIPTION REMARK	DESIGNATION DESCRIZIONE	BENENNING DENOMINACIONES
1	4803811	24	5097-25	WHEEL NUT M18X15	ECROU DE ROUE DADO FISS RUOTA	RADMUTTER TUERCA RUEDA
2	60153410	4	5049-25	DISC WHEEL ASSY 16"6,50H TUBELESS	ROUE A DISQUE RUOTA A DISCO	SCHIEBENRAD DISCO RUEDA
3	60153413	4	5097-24	VALVE	VALVE	VENTIL VALVULA
4	60153465	4	5049-25	RING	ANNEAU	RING ANILLO
5	60153466	4	5049-25	RING	ANNEAU	RING ANILLO
6	93805743	24	5020-01	WHEEL NUT M18X1,5-NEUMAYER	ECROU DE ROUE DADO FISS RUOTA	RADMUTTER TUERCA RUEDA
7	93806444	24	5020-01	WHEEL NUT M18X1,5-CIPPI	ECROU DE ROUE DADO FISS RUOTA	RADMUTTER TUERCA RUEDA
8	60153424	4	5094-23	PROTECTION ASSY	RIPARO	ABDECKUNG DEFENSA
9	60153425	4	5094-23	RING	ANNEAU	RING ANILLO

IVECO

Pedal assembly
Tringlerie de pédales
Fußpedalwerk
Pedaliera
Verillaje de pedales



5000-26 622 5821



IVECO
PARTS

DATE 12-90

SUBGROUP 5000-26

6225821

PAGE 1

DESCRIPTIONS AND REMARKS

ITEM	P. NUMBER	QTY	TO-NR COD PROT	DESCRIPTION REMARK	DESIGNATION DESCRIZIONE	BENENNUNG DENOMINATIONES
1	8586176	1	5020-12	SCREEN	BOULON D'ARRET	SICHERUNGSBOLZEN
2	8587465	1	5020-26	BRAKE PEDAL	PERNO DI SICUREZZA	BULON AFIANZADOR
3	10004911	1	1108-31	ASSY	PEDALE DE FREIN	BREMSPEDAL
4	10519401	1	1110-04	STUD	PEDALE DEL FRENO	PEDAL FRENO
6	10725911	1	8899-99	WASHER	AXE	BOLZEN
9	11066476	1	1145-06	DIAM=6X12MM	PERNO/COLONNETTA	ESPARRAGO
12	14496501	1	1111-04	HEX. NUT	RONDELLE	UNTERLEGSCHIEBE
13	14499401	1	1110-04	MB	RONDELLE	ARANDELA CALCE
14	14579282	1	8899-99	CIRCLIP	ECROU 6 PANS	SECHSKANTMUTTER
15	16043221	1	1102-01	DIAM=16MM	DADO ESAGONALE	TUERCA HEXAGONAL
16	16100811	1	1110-03	WASHER	CIRCLIP	SICHERUNGSRING
17	60139124	1	5077-26	DIAM=8,5MM	ANELLO DI SICUREZZA	CIRCLIP
18	93800215	4	5000-26	WASHER	RONDELLE	UNTERLEGSCHIEBE
19	93800220	1	5000-26	DIAM=8X14MM	RONDELLE	ARANDELA CALCE
21	93807118	1	5020-52	SPRING CLAMP	RONDELLE	UNTERLEGSCHIEBE
22	93807123	1	5020-52	HEX. BOLT	AGRAFE DE RESSORT	ARANDELA CALCE
23	93807385	1	5020-52	MBX16	MOLLETTA DI FISSAG	FEDERKLAMMER
24	93807459	1	5020-12	HEX. NUT	VITE 6 PANS	PINZA RESORTE
25	93807643	1	5078-26	MB	VITE TESTA ESAGONA	SECHSKANTSCHRAUBE
26	8590889	2	5064-26	CLUTCH CONTR. CABLE	ECROU 6 PANS	TORNILLO HEXAGONAL
27	10516673	1	1122-04	BUSH	DADO ESAGONALE	SECHSKANTMUTTER
28	16853801	1	1106-05	DRAW SPRING	CABLE FLEX EMBRAY	TUERCA HEXAGONAL
29	16854101	1	1105-06	CLUTCH PEDAL	TIRANTE FLEX FRIZ.	BOWDENZUG-KUPPLUNG
				ASSY	BAQUE NON LUBRIF.	TIRO CABLE EMBRAG.
				SPRING	BOCCOLA SENZA LUBR	TROCKENBUCHSE
				PIN	RESSORT TRACTION	CASQUILLO SECO
				PEDAL BRACKET	MOLLA DI TRAZIONE	ZUGFEDER
				RUBBER BUSH	PEDALE D'EMBRAY	RESORTE TRACCION
				PEDAL CAP	PEDALE FRIZIONE	KUPPLUNGSPEDAL
				SPRING WASHER	RESSORT	PEDAL EMBRAGUE
				DIAM=8,1MM	MOLLA	FEDER
				SPLIT PIN	PIVOT	RESORTE
					PERNO	STIFT
					SUPPORT PEDALIER	PERNO
					SUPPORTO PEDALIERA	FUSSHEBELBOCK
					FOURREAU CAOUTCH	SOPORTE PEDALES
					BOCCOLA DI GOMMA	GUMMIBUCHSE
					CAPUCHON DE PEDALE	CASQU CAUCHO
					COPRIPEDALE	PEDALKAPPE
					RONDELLE ELASTIQUE	CAPUCHON PEDAL
					ROSETTA ELASTICA	FEDERSCHIEBE
					GOUPILLE	ARANDELA ELASTICA
					COPIGLIA	SPLINT
					GOUPILLE	PASADOR ALETAS
					COPIGLIA	SPLINT
						PASADOR ALETAS

IVECO
PARTS

DATE 12-90

SUBGROUP 5000-26

6225821

PAGE 2

DESCRIPTIONS AND REMARKS

ITEM	P. NUMBER	QTY	TO-NR COD PROT	DESCRIPTION REMARK	DESIGNATION DESCRIZIONE	BENENNUNG DENOMINATIONES
30	17089474	1	1104-20	COLLAR/ROSETTE	ROSACE	ROSETTE
31	17097721	1	1104-11	DIAM=8X16X1,4MM	ROSETTA	ARANDELA
				COLLAR/ROSETTE	ROSACE	ROSETTE
				DIAM=30MM	ROSETTA	ARANDELA

IVECO

Control Stick
Lever de comande
Betätigungs-Hebel
Leva di comando
Palanca

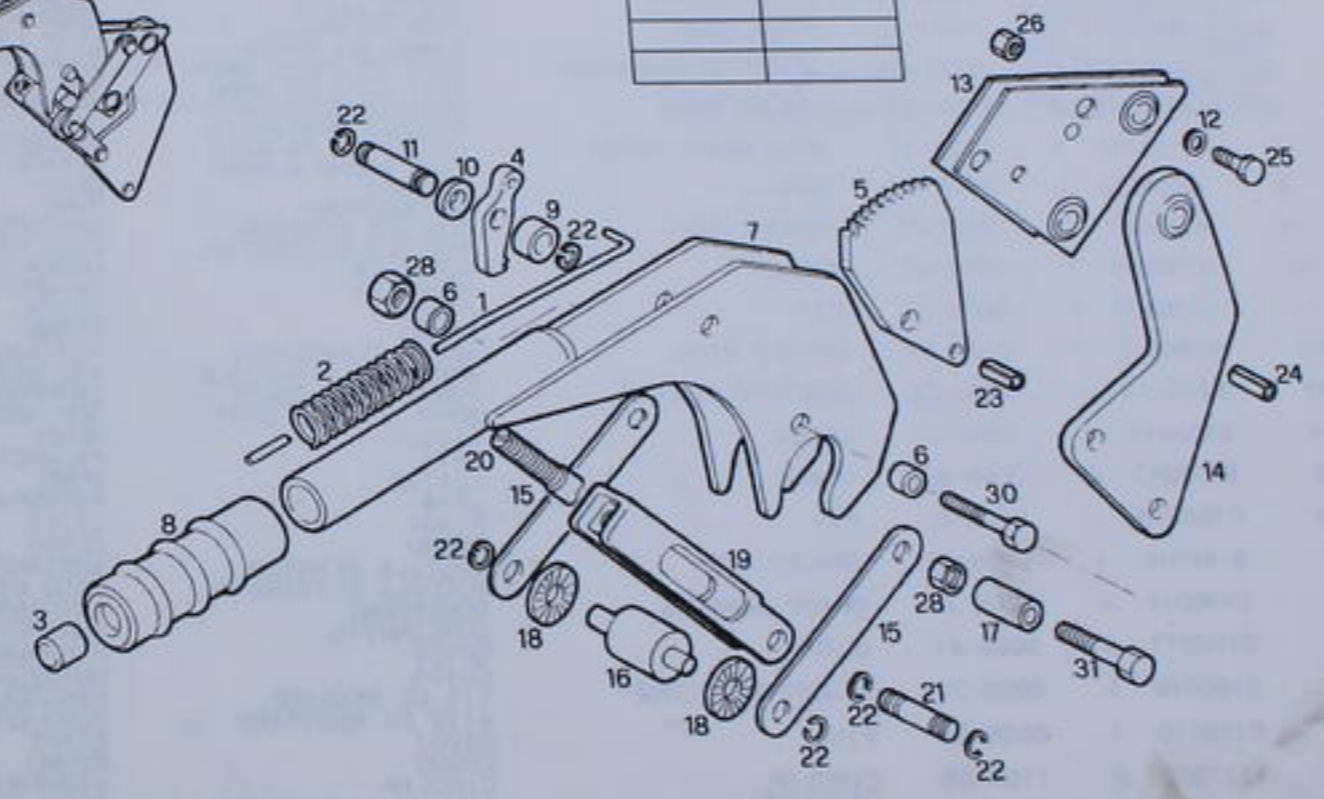
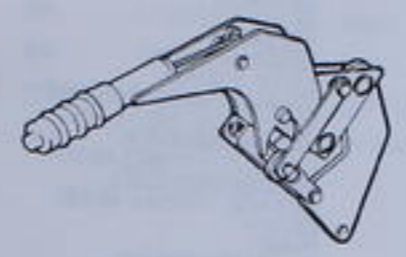
Components
Pièces
Teile
Parti
Piezas



5052-27 622 6129

ASSY NR. *

ASSY NR. *	
60103044	60122993



PAGE 1

IVECO DATE 20-12-90 SUBGROUP 5052-27 6226129
PARTS DESCRIPTIONS AND REMARKS

ITEM	P. NUMBER	QTY	TO-NR COD PROT	DESCRIPTION REMARK	DESIGNATION DESCRIZIONE	BENENNING DENOMINACIONES
1	8123170	1	5002-27	ROD	TIGE	STANGE
2	8123171	1	5002-27	SPRING	ASTA RESSORT	BARRA FEDER
3	8123172	1	5002-27	PAWL	MOLLA CLIQUET	RESORTE KLINKE
4	8123173	1	5020-12	BRAKE CAM	NOTTOLINO CAME DE FREIN	SEGURO BREMSNOCKEN
5	8123174	1	5002-27	GEARSEG. PARKBRAKE	CAMMA DEL FRENO SECTEUR FREIN MAIN	LEVA FRENO ZAHNSEGM. HANDBREMS
6	8123175	2	5002-27	SPACER BUSH	SETT. DENT. FR. MANO DOUILLE ECARTEM	SEC. DEL N. FREN. MA. ABSTANDBUCHSE
7	8198005	1	5008-27	HAND BRAKE LEVER	BOCCOLA DISTANZIAL LEVIER DE FR MAIN	CASO DISTANCIARIO HANDBREMSHEBEL
8	8198006	1	5008-27	HANDLE	LEVA FRENO A MANO POIGNEE	PLANCA FRENO MANO GRIFF
9	8198007	1	5008-27	SPACER BUSH	IMPUGNATURA DOUILLE ECARTEM	PUNO ABSTANDBUCHSE
10	8198008	1	5008-27	WASHER	BOCCOLA DISTANZIAL RONDELLE	CASO DISTANCIARIO UNTERLEGSCHIEBE
11	8198009	1	5008-27	PIN	RONDELLA PIVOT	ARANDELA CALCE STIFT
12	8198010	1	5008-27	SPACER RING	PERNO BAGUE ECARTEM	PERNO ABSTRANDRING
13	8198011	1	5008-27	QUADRANT HOLDER	ANELLO DISTANZIALE PORTE-SEGM. DENTE	ARO DISTANCIARIO ZAHNBOGENHALTER
14	8198012	1	5008-27	LEVER	SUPP. SETTORE DENT. LEVIER	SOP. SECTOR DENT. HEBEL
15	8198013	2	5008-27	LEVER	LEVA LEVIER	PALANCA HEBEL
16	8198014	1	5008-27	PIN	LEVA PIVOT	PALANCA STIFT
17	8198015	1	5008-27	SPACER BUSH	PERNO DOUILLE ECARTEM	PERNO ABSTANDBUCHSE
18	8198016	2	5008-27	DRIVE BEARING	BOCCOLA DISTANZIAL ROULEMENT	CASO DISTANCIARIO ANTRIEBSLAGER
19	8198017	1	5008-27	GUIDE	CUSCINETTO GUIDE	FUEHRUNG COJINETE
20	8198018	1	5008-27	ADJUSTING SCREW	GUIDA VIS DE REGLAGE	GUITA/CONDUCCION EINSTELLSCHRAUBE
21	8198019	1	5008-27	PIN	VITE DI REGISTRO PIVOT	TORN. GRADUACION STIFT
22	1117929	6	1150-06	CIRCLIP DIAM=7MM	PERNO CIRCLIP	PERNO SICHERUNGSRING
23	1115465	1	1113-06	DOWEL PIN	ANELLO DI SICUREZZA GOUPILLE SERRAGE	CIRCLIP SPANNSTIFT
					SPINA ELASTICA	PERNO FIADOR

PAGE 2

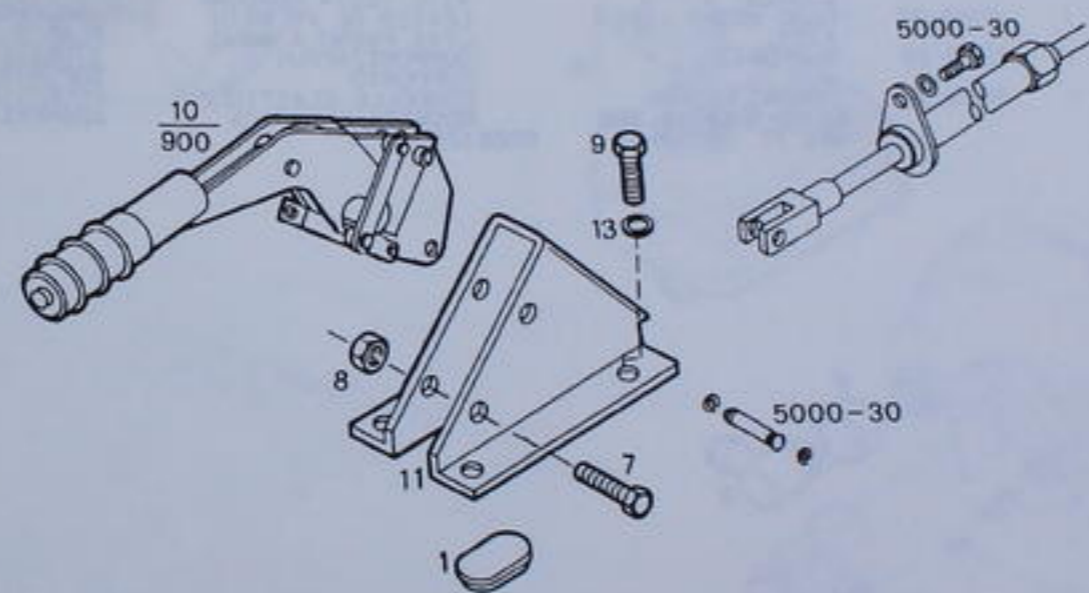
IVECO DATE 20-12-90 SUBGROUP 5052-27 6226129
PARTS DESCRIPTIONS AND REMARKS

ITEM	P. NUMBER	QTY	TO-NR COD PROT	DESCRIPTION REMARK	DESIGNATION DESCRIZIONE	BENENNING DENOMINACIONES
24	14606970	1	8899-99	DOWEL PIN	GOUPILLE SERRAGE	SPANNSTIFT
25	1100110	1	8820-01	HEX BOLT M 10X50	SPINA ELASTICA VIS 6 PANS	PERNO FIADOR SECHSKANTSCHRAUBE
26	1136453	1	8821-32	LOCKING NUT M10	VITE TESTA ESAGONA CONTRE ECROU	TORNILLO HEXAGONAL SICHERUNGSMUTTER
28	1136452	2	8821-32	LOCKING NUT M8	CONTRODADO D1 SIC. CONTRE ECROU	TUERCA AFIANZADORA SICHERUNGSMUTTER
29	16044121	1	8899-99	HEX BOLT M8X45	VIS 6 PANS	TUERCA AFIANZADORA SECHSKANTSCHRAUBE
30	16044221	1	8899-99	HEX BOLT M8X50	VITE TESTA ESAGONA VIS 6 PANS	TORNILLO HEXAGONAL SECHSKANTSCHRAUBE
					VITE TESTA ESAGONA	TORNILLO HEXAGONAL

IVECO

Parking Brake Control
Commande du frein parking
Handbremsabettigung
Comando freno di stazionamento
Mando del freno a mano

5000-27 622 6133



IVECO
PARTS

DATE 11-12-10 SUBGROUP 5000-27 6226133
DESCRIPTIONS AND REMARKS

PAGE 1

ITEM	P. NUMBER	QTY	TO-NR COD PROT	DESCRIPTION REMARK	DESIGNATION DESCRIZIONE	BENENNING DENOMINACIONES
1	8586592	2	5020-12	PLUG	BOUCHON	STOPFEN
7	11343821	1	5000-00	HEX. BOLT M10X1,25X50	TAPPO VITE 6 PANS	SECHSKANTSCHRAUBE TORNILLO HEXAGONAL
8	12574511	1	8899-99	HEX. NUT	VITE TESTA ESAGONA ECROU 6 PANS	SECHSKANTMUTTER TUERCA HEXAGONAL
9	15970621	1	8899-99	M10 HEX. BOLT M10X22	DADO ESAGONALE VITE 6 PANS	SECHSKANTSCHRAUBE TORNILLO HEXAGONAL
10	60103044	1	5020-27	HAND BRAKE LEVER ASSY	VITE TESTA ESAGONA LEVIER DE FR MAIN	HANDBREMSHEBEL PLANCA FRENO MANO
11	60139672	1	5020-26	SUPPORT	LEVA FRENO A MANO SUPPORT/APPUJ	STUETZE SOPORTE
13	11190579	1	8899-99	SPRING WASHER DIAM:10X20X2,3MM SEE PL 5052-27	RONDELLE ELASTIQUE ROSETTA ELASTICA	FEDERSCHLEIBE ARANDELA ELASTICA
900					6226129	

IVECO

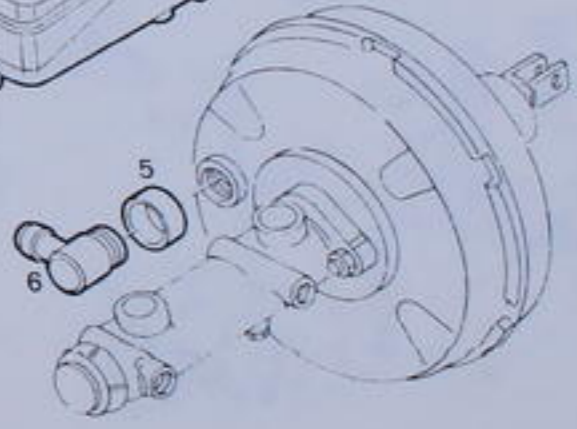
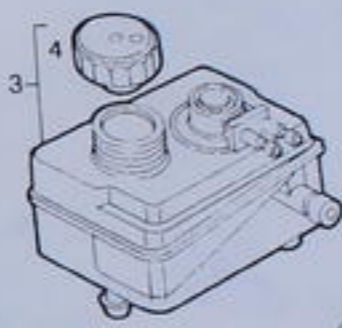
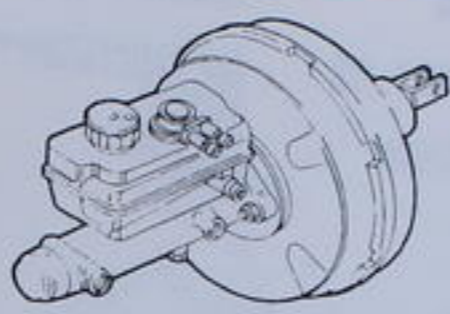
Brake Booster
Servo frein
Bremsverstärker
Servofreno

Components
Pièces
Teile
Parti
Piezas



5042-28 622 7848

ASSY NR *	
4797460	4802930



8800

IVECO DATE 12-90 SUBGROUP 5042-28 6227848
 PARTS DESCRIPTIONS AND REMARKS

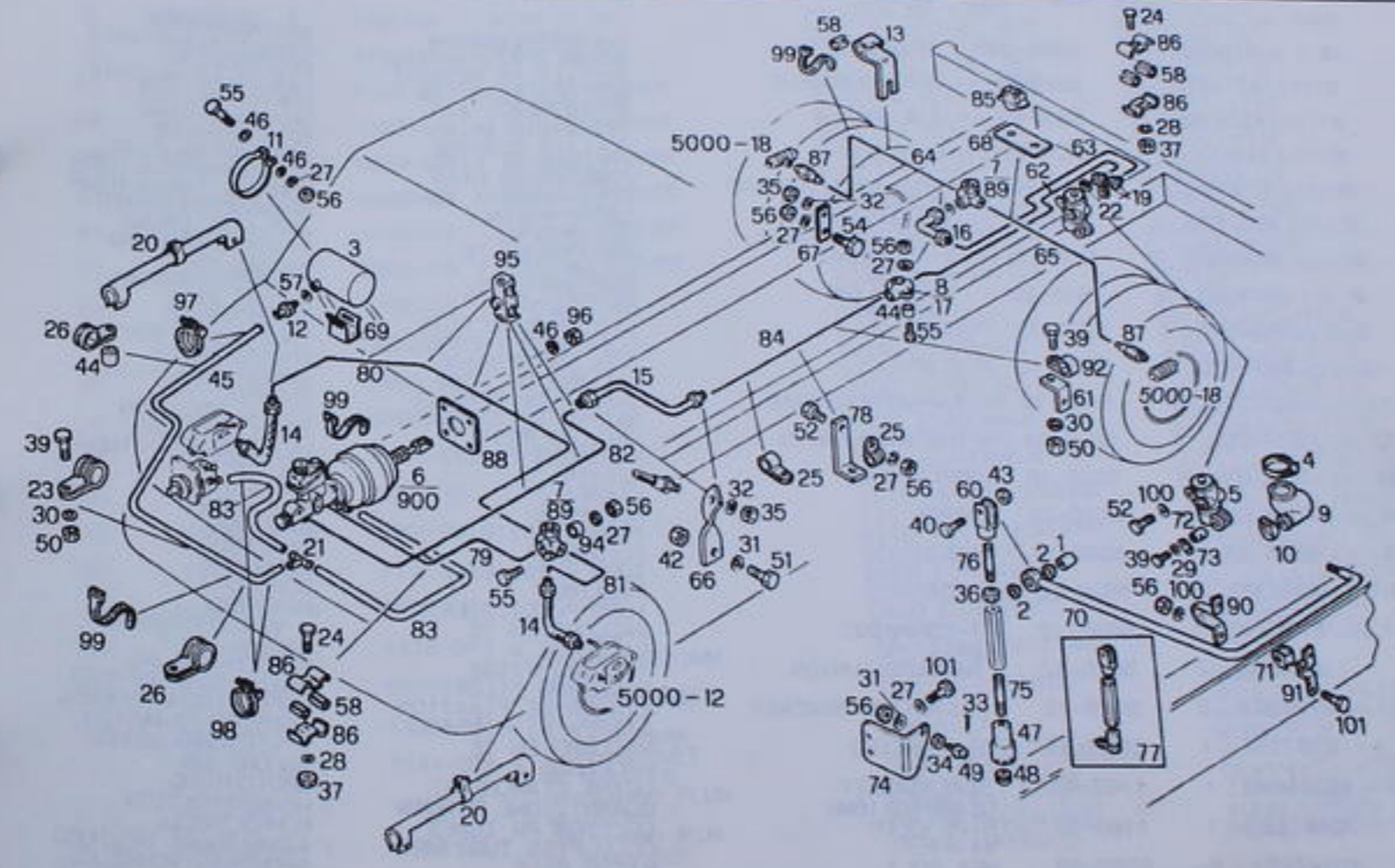
ITEM	P. NUMBER	QTY	TO-NR COD PROT	DESCRIPTION REMARK	DESIGNATION DESCRIZIONE	BENENNING DENOMINATIONS
3	8122471	1	5020-28	BRAKE FLUID TANK ASSY	RESERV. LIQUIDE FRE SERB. LIQUIDO FRENO	FLUESSIGKEITSBEHAELTER DEP. LIQU. FRENO
4	8122470	1	5020-12	PLUG	BOUCHON	STOPFEN
5	4323401	1	8899-99	RUBBER RING	TAPPO	GUMMIRING
6	93159563	1	5020-28	VALVE	BAGUE CAOUTCHOUC ANELLO DI GOMMA	VENTIL VALVULA

IVECO

Hydro Pneumatic Brake System
 Systeme de freinage hydro-pneum.
 Hydro-pneumatische Bremsanlage
 Impianto pneumatico-idraulico freni
 Sistema de freno hidroneumatico



5000-28 622 7868



I V E C O
P A R T S

DATE 12-90 SUBGROUP 5000-28 6227868
DESCRIPTIONS AND REMARKS

PAGE 1

ITEM	P. NUMBER	QTY	TO-NR COD PROT	DESCRIPTION REMARK	DESIGNATION DESCRIZIONE	BENENNING DENOMINACIONES
1	4106924	1	0000-00	SPACER BUSH	DOUILLE ECARTEM	ABSTANDBUCHSE
2	4111979	2	5020-28	SPRING SLEEVE	BOCCOLA DISTANZIAL	CASO DISTANCIARIO
3	4223325	1	5002-28	AIR BOTTLE	DOUILLE DE RESSORT	FEDERHUELSE
4	4381511	1	5020-28	CLIP	BOCCOLA ELASTICA	CASQUILLO RESORTE
5	4792418	1	7800-43	HYDR BRAK COMPENS.	RESERVOIR D'AIR	LUFTBEHALTER
6	4797460	1	7920-42	WEBER ALTECNA BRAKE BOOSTER	SERBATOIO ARIA	DEPOSITO AIRE
7	4825349	2	7845-30	ASSY BENDITALIA	COLLIER SERRAGE	SPANNSCHELLE
8	4825351	1	7845-20	T-COUPLING PINTOSI	COLLARE DI FISS	ABRAZADERA FIJAC
9	5954607	1	5020-12	T-COUPLING PINTOSI HOOD	CORR FREIN HYDR	BREMSKRAFTREG. HYDR
10	5954609	1	5020-12	CLIP	CORR FRENATA IDRAU	COMP DE FRENO HYDR
11	8792732	2	5420-34	TAPE/STRAD/BAND	SERVO FREIN	BREMSVERSTAERKER
12	8794355	1	5020-34	THREADED UNION	SERVOFRENO	AMPLIFIC. FRENO
13	8795100	1	5020-16	RETAINER	RACCORD EN TE	T-VERSCHRAUBUNG
14	8796325	2	5020-28	HOSE	RACCORDO A T	RACORE EN T
15	8796326	1	5020-28	HOSE	RACCORDO EN TE	RACORE EN T
16	8796327	1	5020-28	HOSE	RACCORDO A T	T-VERSCHRAUBUNG
17	8796330	1	5020-12	T-COUPLING	CAPOT PROTECTEUR	SCHUTZHAUBE
19	8796918	2	5020-12	DISA THREADED UNION	CUFFIA DI PROTEZ	SOMBRERETE PROTEC.
20	8796979	2	5020-12	FASTENING BRACKET	COLLIER SERRAGE	SPANNSCHELLE
21	8797114	1	5020-34	T-COUPLING	COLLARE DI FISS	ABRAZADERA FIJAC.
22	10284460	1	1107-48	SEAL GASKET DIAM=10X16MM	SANGLE DE SERRAGE	ZUGBAND
23	10441490	1	1160-07	PIPE CLIP	NASTRO DI SERRAG.	CINTA TRACCION
24	10444821	1	5020-99	HEX. BOLT	RACCORDO VISSE	VERSCHRAUBUNG

I V E C O
P A R T S

DATE 12-90 SUBGROUP 5000-28 6227868
DESCRIPTIONS AND REMARKS

PAGE 2

ITEM	P. NUMBER	QTY	TO-NR COD PROT	DESCRIPTION REMARK	DESIGNATION DESCRIZIONE	BENENNING DENOMINACIONES
25	10449690	1	1160-07	PIPE CLIP	COLLIER PR TUBES	ROHRSCHELLE
26	10450390	1	1160-07	PIPE CLIP	COLL. FISS. TUBI MET	ABRAZADERA DE TUBO
27	10516673	1	1122-04	14 SPRING WASHER	COLL. FISS. TUBI MET	ROHRSCHELLE
28	10571371	1	1122-04	DIAM=8, 1MM SPRING WASHER	RODELLE ELASTIQUE	ABRAZADERA DE TUBO
29	10571479	1	8899-99	DIAM=5MM SPRING WASHER	ROSETTA ELASTICA	FEDERSCHLEIBE
30	10571574	1	8899-99	DIAM=6MM SPRING WASHER	RODELLE ELASTIQUE	ARANDELA ELASTICA
31	10571873	1	1122-04	DIAM=10MM SPRING WASHER	RODELLE ELASTIQUE	FEDERSCHLEIBE
32	10572173	1	8899-99	DIAM=16MM SPLIT PIN	RODELLE ELASTIQUE	ARANDELA ELASTICA
33	10734701	1	1105-06	2, 7 HEX. NUT	ROSETTA ELASTICA	FEDERSCHLEIBE
34	10791011	1	5020-53	M10X1, 25 HEX. NUT	RODELLE ELASTIQUE	ARANDELA ELASTICA
35	10791411	1	8899-99	M16X1, 5 HEX. NUT	ROSETTA ELASTICA	FEDERSCHLEIBE
36	10791511	1	0000-00	M10X1, 25 HEX. NUT	RODELLE ELASTIQUE	ARANDELA ELASTICA
37	10794011	1	1110-03	M 4X0, 7 HEX. BOLT	ROSETTA ELASTICA	FEDERSCHLEIBE
39	10902321	1	8899-99	M6X18MM HEX. BOLT	RODELLE ELASTIQUE	ARANDELA ELASTICA
40	10903030	1	8899-99	M6X35 HEX. BOLT	ROSETTA ELASTICA	FEDERSCHLEIBE
42	12164711	1	1110-03	M10X1, 25 HEX. NUT	RODELLE ELASTIQUE	ARANDELA ELASTICA
43	12574211	1	0000-00	M6 HEX. NUT	ROSETTA ELASTICA	FEDERSCHLEIBE
44	13805911	1	1178-04	DIAM=8, 5X15MM HOSE	GOUPILLE	SPLINT
45	14413580	M	8899-99	DIAM=7X14MM HOSE	COPIGLIA	PASADOR ALETAS
46	14496501	1	1111-04	DIAM=8, 5MM WASHER	ECROU 6 PANS	SECHSKANTMUTTER
47	15150211	1	1141-31	M 10X1, 25 BALL SOCKET	DADO ESAGONALE	TUERCA HEXAGONAL
48	15151211	1	1142-31	M 18X1 THREADED PLUG	ECROU 6 PANS	SECHSKANTMUTTER
49	15152211	1	1143-31	M 10X1, 25 BALL-END PIN	DADO ESAGONALE	TUERCA HEXAGONAL

IVECO PARTS DATE 10-12-90 SUBGROUP 5000-28 6227868 DESCRIPTIONS AND REMARKS

Table with columns: ITEM, P. NUMBER, QTY, TO-NR COD, PROT, DESCRIPTION, DESIGNATION DESCRIZIONE, BENENNING DENOMINATIONS. Rows 50-74.

DESCRIPTIONS AND REMARKS

Table with columns: ITEM, P. NUMBER, QTY, TO-NR COD, PROT, DESCRIPTION, DESIGNATION DESCRIZIONE, BENENNING DENOMINATIONS. Rows 75-98.

IVECO
PARTS

DATE 11-12-90 SUBGROUP 5000-28 6227868

PAGE 5

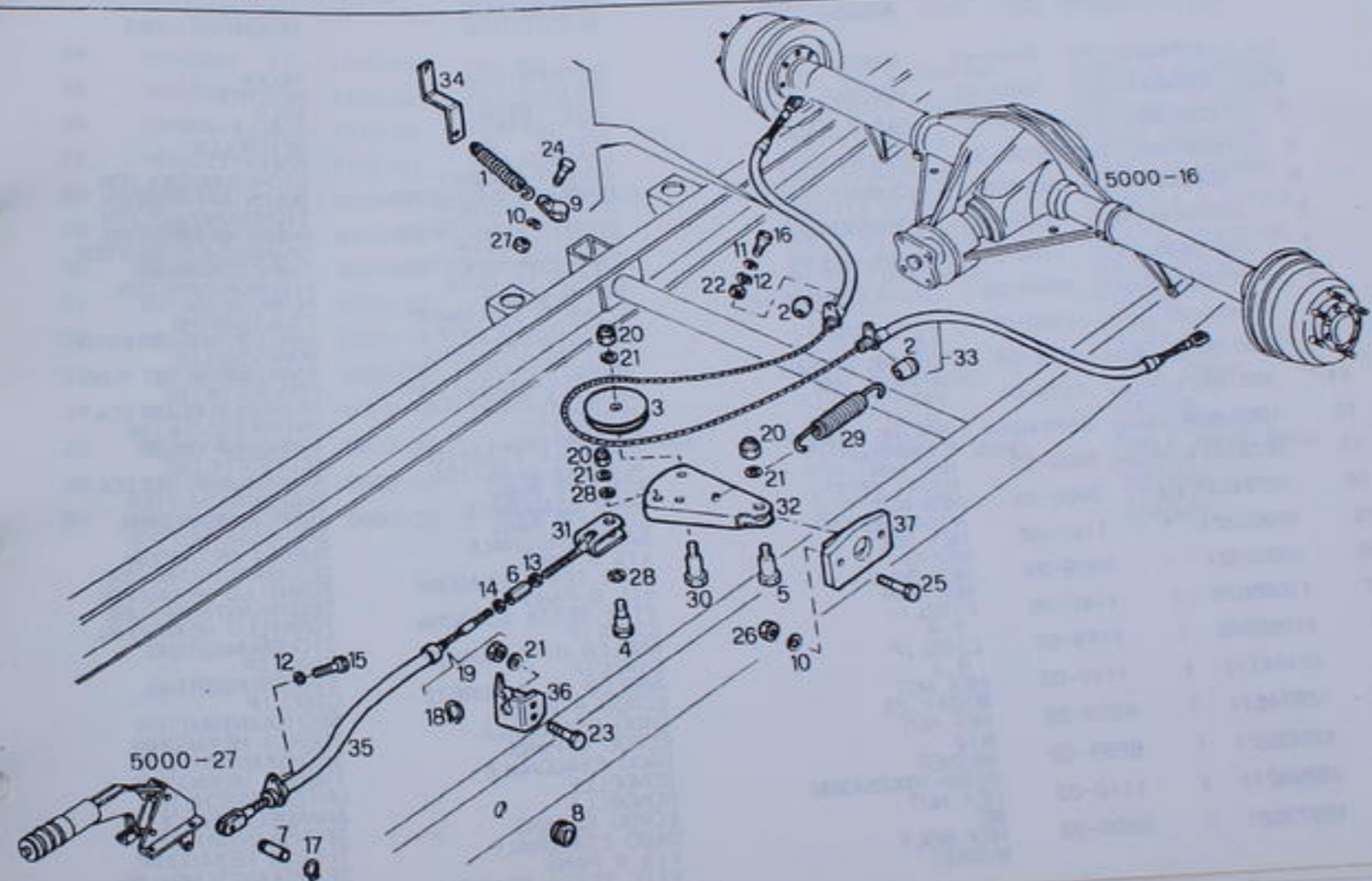
DESCRIPTIONS AND REMARKS

ITEM	P. NUMBER	QTY	TO-NR COD PROT	DESCRIPTION REMARK	DESIGNATION DESCRIZIONE	BENENNING DENOMINATIONS
99	41800381	6	8976-72	CABLE STRAP L=375MM	RUBAN PR CABLE NASTRO SERR CAVI	KABELBAND CINTA ATACABLES
100	11198074	1	1104-20	SPRING WASHER DIAMØ15MM	RONDELLE ELASTIQUE ROSETTA ELASTICA	FEDERSCHEIBE ARANDELA ELASTICA
101	16043424	1	8899-99	HEX BOLT MØX20	VITE 6 PANS VITE TESTA ESAGONA	SECHSKANTSCHRAUBE TORNILLO HEXAGONAL
900	*			SEE PL 5042-28	6227848	

IVECO

Parking Brake
Frein parking
Feststellbremse
Freno di stazionamento
Freno a mano

5000-30 622 8086



DESCRIPTIONS AND REMARKS

ITEM	P. NUMBER	QTY	TO-NR COD PROT	DESCRIPTION REMARK	DESIGNATION DESCRIZIONE	BENENNING DENOMINACIONES
1	1374010	1	5020-51	SPRING	RESSORT	FEDER
2	8559311	2	5000-30	BELLOW	MOLLA	RESORTE
3	8562390	1	5000-30	CABLE SHEAVE	SOUFFLET	BALG
4	8562392	1	5000-30	SCREEN	SOFFIETTO	FUELE
5	8562393	1	5000-30	SCREEN	POULIE	SEILROLLE
6	10090811	1	5000-30	TURNBUCKLE	CARRUCOLA	ROLEA
7	10249210	1	1108-31	GUIDE BOLT	BOULON D'ARRET	SICHERUNGSBOLZEN
8	10398980	1	8899-99	INSULATING RING	PERNO DI SICUREZZA	BULON AFIANZADOR
9	10450490	1	1160-07	PIPE CLIP	BOULON D'ARRET	SICHERUNGSBOLZEN
10	10516673	1	1122-04	SPRING WASHER	PERNO DI SICUREZZA	BULON AFIANZADOR
11	10519421	1	1110-04	WASHER	ECROU TENDEUR	SPANNSCHLOSSMUTTER
12	10571574	1	8899-99	SPRING WASHER	DADO PER TENDITORE	TUERCA TENSORA
13	10791011	1	5020-53	DIAM=6MM	BOULON DE GUID	FUEHRUNGSBOLZEN
14	10791511	1	0000-00	HEX NUT	PERNO GUIDA	PERNO GUIDA
15	10902221	1	1101-02	M10X1,25	BAGUE D'ISOLEMENT	ISOLIERRING
16	10902321	1	8899-99	HEX BOLT	ANELLO ISOLANTE	ANILLO AISLAMIENTO
17	11065676	1	1145-06	CIRCLIP	COLLIER PR TUBES	ROHRSCHELLE
18	11065976	1	1145-06	CIRCLIP	COLL FISS TUBI MET	ABRAZADERA DE TUBO
19	12164711	1	1110-03	HEX NUT	ROSETTA ELASTICA	FEDERSCHEIBE
20	12574511	1	8899-99	M10X1,25	RODELLE	ARANDELA ELASTICA
21	12626221	1	8899-99	M10	RODELLE ELASTIQUE	ARANDELA ELASTICA
22	15896211	1	1110-03	WASHER	RODELLE ELASTICA	ARANDELA ELASTICA
23	15970621	1	8899-99	HEX BOLT	RODELLE ELASTICA	ARANDELA ELASTICA
				M10X22	RODELLE ELASTICA	ARANDELA ELASTICA

DESCRIPTIONS AND REMARKS

ITEM	P. NUMBER	QTY	TO-NR COD PROT	DESCRIPTION REMARK	DESIGNATION DESCRIZIONE	BENENNING DENOMINACIONES
24	16043221	1	1102-01	HEX BOLT	VIS 6 PANS	SECHSKANTSCHRAUBE
25	16043921	1	1101-02	HEX BOLT	VITE TESTA ESAGONA	TORNILLO HEXAGONAL
26	16100811	1	1110-03	HEX NUT	VIS 6 PANS	SECHSKANTSCHRAUBE
27	16102211	1	1110-03	HEX NUT	VITE TESTA ESAGONA	TORNILLO HEXAGONAL
28	38551427	1	8899-99	M BX1,25	ECROU 6 PANS	SECHSKANTMUTTER
29	38562394	1	8899-99	SPRING WASHER	DADO ESAGONALE	SECHSKANTMUTTER
30	60136209	1	5020-12	DRAW SPRING	ECROU 6 PANS	TUERCA HEXAGONAL
31	60136213	1	5020-12	THREADED PIN	DADO ESAGONALE	SECHSKANTMUTTER
32	60136214	1	5020-12	TIE ROD	RODELLE ELASTIQUE	TUERCA HEXAGONAL
33	60136234	1	5020-12	LEVER	ROSETTA ELASTICA	FEDERSCHEIBE
34	60137027	1	5020-12	ASSY	RESSORT TRACTION	ARANDELA ELASTICA
35	60147430	1	5000-30	RETAINER	MOLLA DI TRAZIONE	ZUGFEDER
36	60156658	1	5000-30	HAND BRAKE CABLE	BOULON FILETE	RESORTE TRACCION
37	60156702	1	5000-30	LEFT SUPPORT	PERNO FILETTATO	GEWINDEBOLZEN
				LEFT	TIRANT	BULON ROSCADO
					TIRANTE	ZUGANKER
					LEVIER	TIRANTE
					LEVA	HEBEL
					CABLE DE FREIN	PALANCA
					FUNE DEL FRENO	BREMSSEIL
					ETRIER	CABLE FRENO
					STAFFA	HALTER
					CABLE DE FR A MAIN	SOPORTE
					FUNE FRENO A MANO	HANDBREMSSEIL
					ETRIER	CABLE FRENO MANO
					STAFFA	HALTER
					SUPPORT/APPUI	SOPORTE
					SUPPORTO	STUETZE
						SOPORTE

IVECO

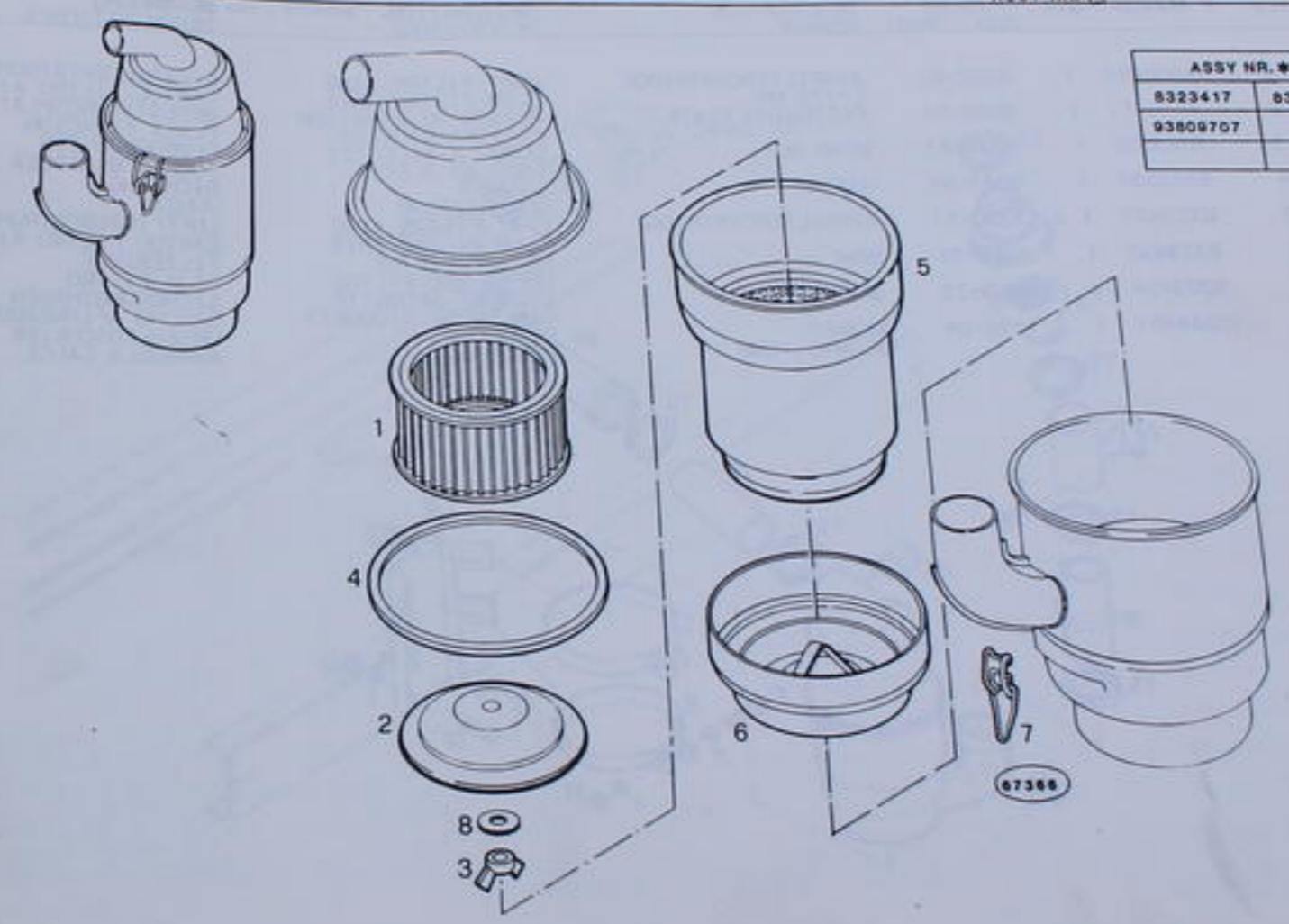
Air Filter / Piping
Filtre à air / Canalisation
Luftfilter / Leitungen
Filtro aria / Tubazioni
Filtro de aire / Tuberías

Components
Pièces
Teile
Parti
Piezas



5050-51 6238009

ASSY NR. *	
8323417	8323567
93809707	



IVECO
PARTS

DATE 20-12-90

SUBGROUP 5050-51

6238009

PAGE 1

DESCRIPTIONS AND REMARKS

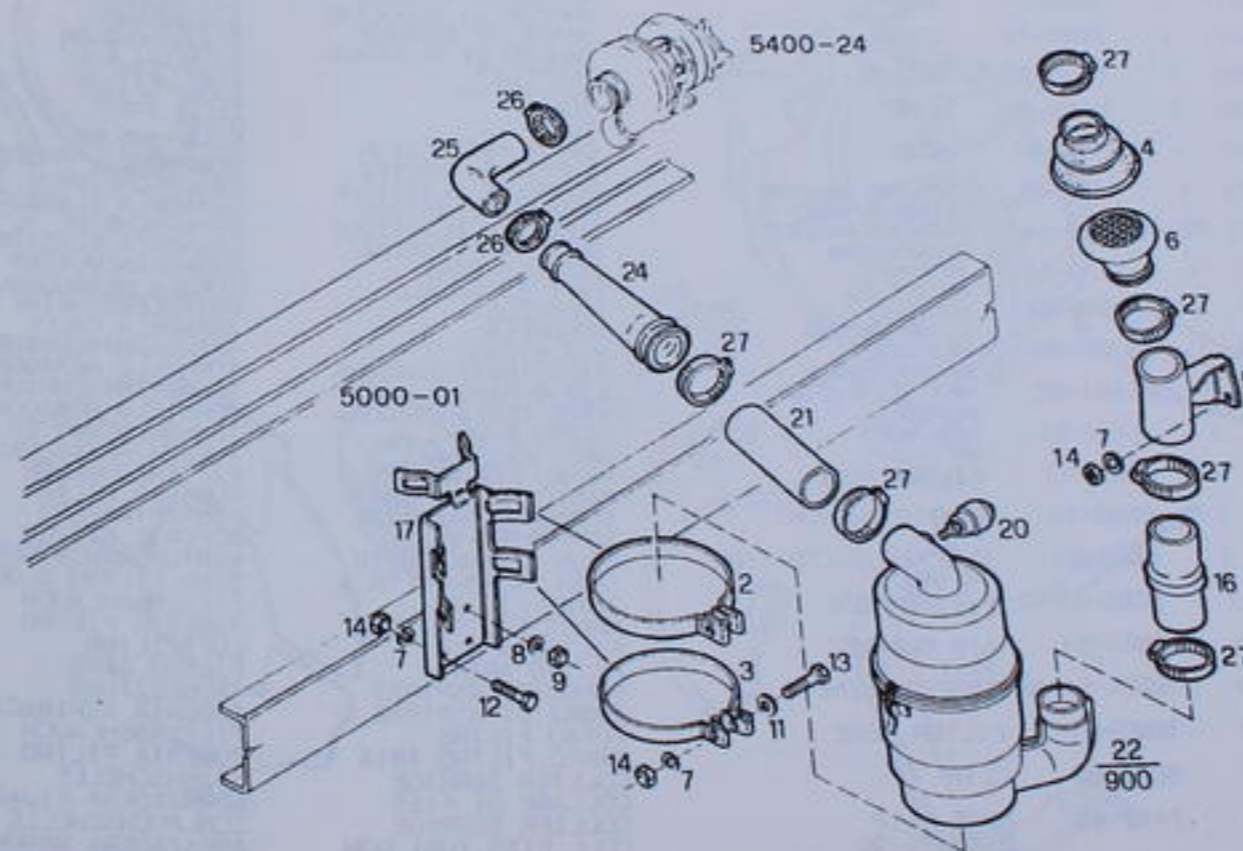
ITEM	P. NUMBER	QTY	TO-NR COD PROT	DESCRIPTION REMARK	DESIGNATION DESCRIZIONE	BENENNUNG DENOMINATIONES
1	1902457	1	5032-51	AIRFILTERCARTRIDGE L=175 MM	CART. FILTRE AIRE ELEM. FILTRO ARIA	LUFTFILTERPATRONE CARTUC. FILTRO AIRE
2	4618771	1	5050-51	FASTENING PLATE	PLAQUE DE FIXATION PIASTRA DI FISS.	BEFESTIGUNGSPLATTE PLACA FIJACION
3	8323535	1	5035-51	WING NUT	ECROU A AILETTES DADO AD ALETTE	FLUEGELMUTTER TUERCA MARIPOSA
4	8323538	1	5041-51	GASKET	JOINT GUARNIZIONE	DICHTUNG JUNTA
5	8323427	1	3020-51	AIRFILTERCARTRIDGE	CART. FILTRE AIRE ELEM. FILTRO ARIA	LUFTFILTERPATRONE CARTUC. FILTRO AIRE
6	8323432	1	5020-72	BOWL	BOL DE FILTRE COPPA DEL FILTRO	FILTERTOPF CAJA FILTRO
7	8323494	4	5020-72	SAFETY HOOK	CROCHET SECURITE GANCIO DI SICUREZZA	SICHERUNGSHAKEN GANCHO AFIANZADOR
8	12644401	1	1110-04	WASHER DIAM=6, 15MM	RONDILLE RONDELLA	UNTERLEGSCHIBE ARANDELA CALCE

IVECO

Air Filter and Pipeline
Filtre à air et canalisation
Luftfilter und Leitungen
Filtro aria e tubazioni
Filtro de aire y tuberías



5000-51623 8104



IVECO
PARTS

DATE 12-90 SUBGROUP 5000-51

6238104

PAGE 1

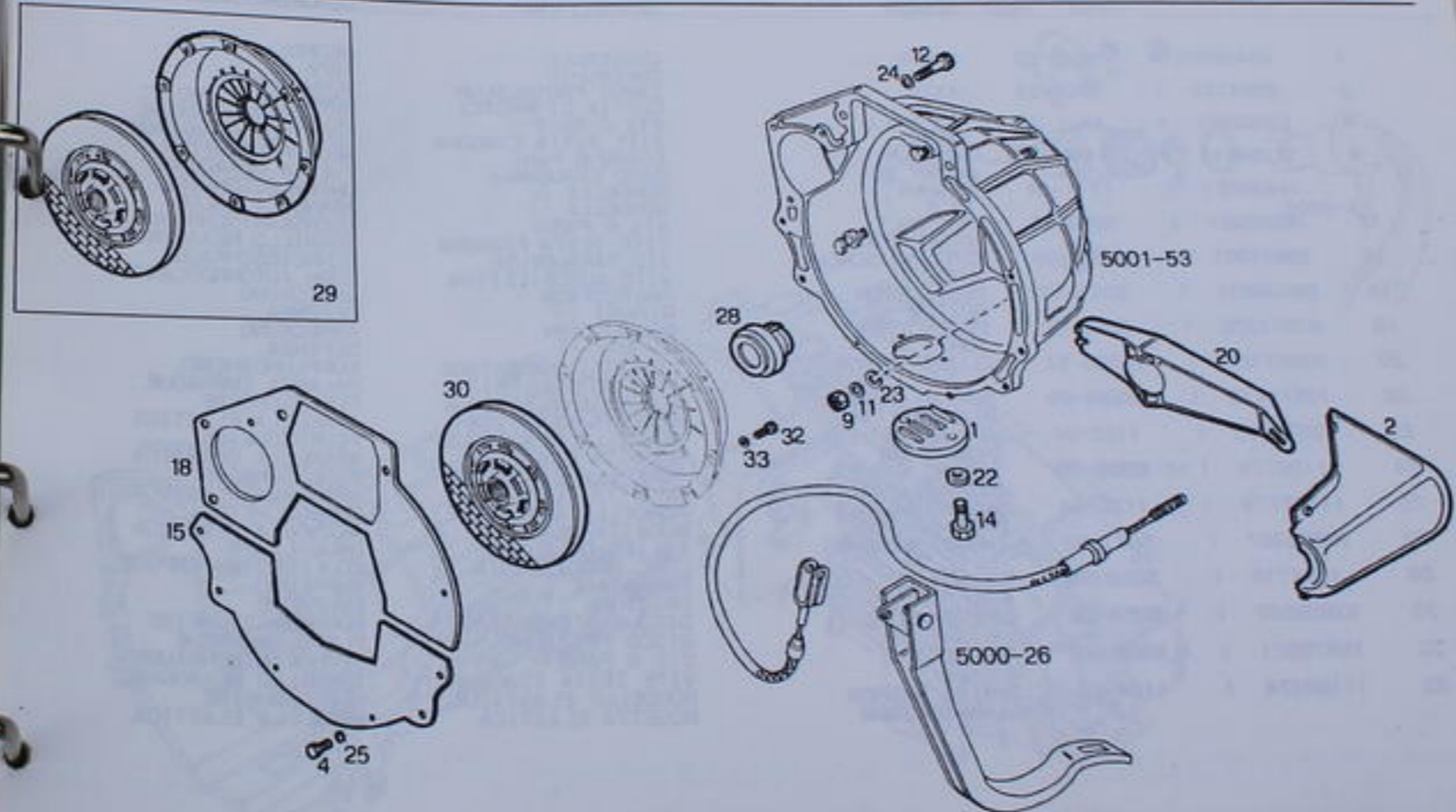
DESCRIPTIONS AND REMARKS

ITEM	P. NUMBER	QTY	TO-NR COD PROT	DESCRIPTION REMARK	DESIGNATION DESCRIZIONE	BENENNING DENOMINATIONS
2	8588210	1	5020-72	STRAP	BANDE DE SERRAGE NASTRO DI BLOCCAGG	SPANNBAND FLEJE TENSOR SPANNBAND
3	8588211	1	5020-72	STRAP	BANDE DE SERRAGE NASTRO DI BLOCCAGG	FLEJE TENSOR BALG
4	8588887	1	5020-72	BELLOW	SOUFFLET SOFFIETTO	FUELLE ROHR
5	8588890	1	5020-72	PIPE	TUBO	TUBO
6	9060647	1	5000-51	HOOD	CAPOT PROTECTEUR CUFFIA DI PROTEZ	SCHUTZHAUBE SOMBRERETE PROTEC.
7	10516673	1	1122-04	SPRING WASHER DIAM=8, 1MM	RODELLE ELASTIQUE ROSETTA ELASTICA	FEDERSCHETBE ARANDELA ELASTICA
8	10571873	1	1122-04	SPRING WASHER DIAM=10MM	RODELLE ELASTIQUE ROSETTA ELASTICA	FEDERSCHETBE ARANDELA ELASTICA
9	12164711	1	1110-03	HEX. NUT M10X1, 25	ECROU 6 PANS DADO ESAGONALE	SECHSKANTMUTTER TUERCA HEXAGONAL
11	12646701	1	1110-04	WASHER DIAM=8X20MM	RODELLE RONDELLA	INTERLEGSCHETBE ARANDELA CALCE
12	15970721	1	8899-99	HEX. BOLT M10X1, 25X25	VITE 6 PANS VITE TESTA ESAGONA	SECHSKANTSCHRAUBE TORNILLO HEXAGONAL
13	16043921	1	1101-02	HEX. BOLT M8X35	VITE 6 PANS ECROU 6 PANS	SECHSKANTSCHRAUBE TORNILLO HEXAGONAL
14	16100811	1	1110-03	HEX. NUT M8	DADO ESAGONALE	SECHSKANTMUTTER TUERCA HEXAGONAL
16	60135255	1	5020-72	FILTER HOSETUYAU FILTRE	MANIC FILTRO ARIA SUPPORT DE FILTRE	FILTERSCHLAUCH TUBERIA FILTRO
17	60135876	1	5020-72	FILTER SUPPORT	SUPPORTO FILTRO	FILTERTRAEGER
20	60149644	1	5020-51	CHOCKED FILTR. SIGN 74 MBAR	SIGN. FILTRE OBSTR. SEGN. INTAS. FILTR. A	WARTUNGSANZEIGER SEGN. FILTRO BLOCAD
21	60150076	1	5020-51	FILTER HOSETUYAU FILTRE	MANIC FILTRO ARIA	FILTERSCHLAUCH TUBERIA FILTRO
22	8323567	1	5020-51	AIR CLEANER ASSY	FILTRE A AIR FILTRO ARIA	LUFFFILTER FILTRO AIRE
24	60158369	1	5020-51	SUCTION LINE	CONDUITE ASPIRAT TUBAZ. DI ASPIRAZ.	SAUGLEITUNG TUBERIA ASPIRACION
25	60158371	1	5020-51	FILTER HOSETUYAU FILTRE	MANIC FILTRO ARIA	FILTERSCHLAUCH TUBERIA FILTRO
26	17765092	1	5020-60	CLIP	COLLIER SERRAGE COLLARE DI FISS.	SPANNSCHELLE ABRAZADERA FIJAC
27	17765192	4	1143-45	HOSE CLIP DIAM=70-90	COLLIER SERRAGE COLL. FISS. TUBI GOM	SCHLAUCHSCHELLE ABRAZADERA MANGUER
900				SEE PL 5050-51	6238009	

IVECO

Clutch
Embrayage
Kupplung
Frizione
Embrague

5000-52 623 9013



IVECO
PARTS

DATE 12-90

SUBGROUP 5000-52

6239013

PAGE 1

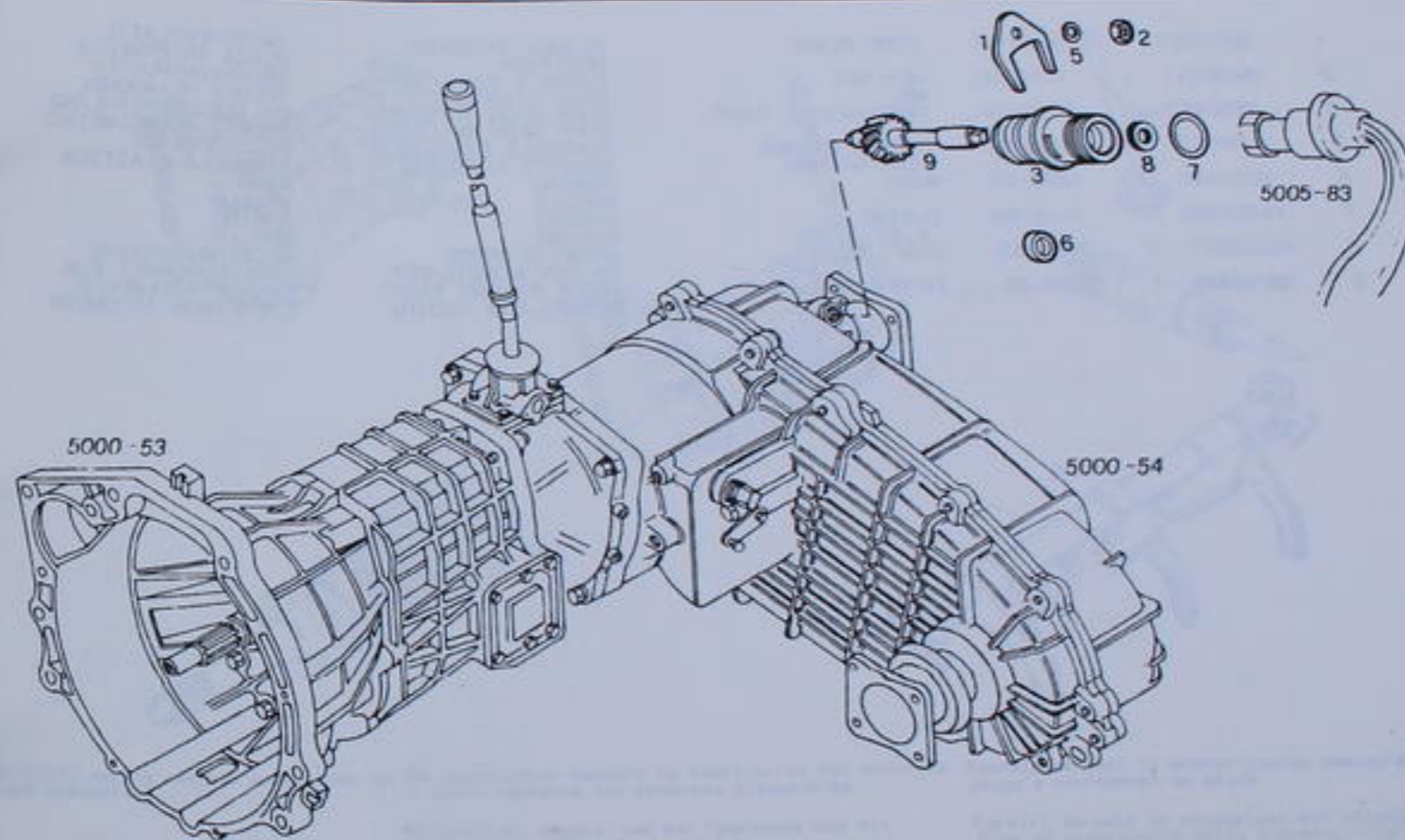
DESCRIPTIONS AND REMARKS

ITEM	P. NUMBER	QTY	TO-NR COD. PROT.	DESCRIPTION REMARK	DESIGNATION DESCRIZIONE	BENENNING DENOMINAZIONE
1	4540660	1	5089-52	COVER	COUVERCLE COPERCHIO	DECKEL TAPA
2	8584726	1	5020-53	HOOD	CAPOT PROTECTEUR CUFFIA DI PROTEZ.	SCHUTZHAUBE SOMBRETE PROTEC.
4	10902021	1	1101-02	HEX BOLT M8X12	VITE 6 PANS VITE TESTA ESAGONA	SECHSKANTSCHRAUBE TORNILLO HEXAGONAL
9	12164711	1	1110-03	HEX NUT M10X1,25	ECROU 6 PANS DADO ESAGONALE	SECHSKANTMUTTER TUERCA HEXAGONAL
11	14496621	1	1111-04	WASHER 10,6	RONDELLE RONDELLA	UNTERLEGSCHIEBE ARANDELA CALCE
12	15540921	1	9988-88	HEX BOLT M12X1,25X55	VITE 6 PANS VITE TESTA ESAGONA	SECHSKANTSCHRAUBE TORNILLO HEXAGONAL
14	15681901	1	8899-99	CUTTING SCREW M10X13	VITE TARAUEUSE VITE AUTOFILETTAN.	SCHNEIDSCHRAUBE TORN AUTORROSCANTE
15	60136831	1	5020-52	PROTECTION BOTTOM	PROTECTION RIPARO	ABDECKUNG DEFENSA
18	93801370	1	5020-52	PROTECTION TOP	PROTECTION RIPARO	ABDECKUNG DEFENSA
20	93807122	1	5020-52	CLUTCH LEVER	LEVIER D'EMBRAYAGE	KUPPLUNGSHABEL PALANCA EMBRAGUE
22	10571479	1	8899-99	SPRING WASHER DIAM=5MM	LEVA DISINN FRIZ RONDELLE ELASTIQUE	FEDERSCHIEBE ARANDELA ELASTICA
23	10571873	1	1122-04	SPRING WASHER DIAM=10MM	ROSETTA ELASTICA RONDELLE ELASTIQUE	FEDERSCHIEBE ARANDELA ELASTICA
24	11190779	1	8899-99	SPRING WASHER DIAM=10MM	ROSETTA ELASTICA RONDELLE ELASTIQUE	FEDERSCHIEBE ARANDELA ELASTICA
25	11197779	1	1120-04	SPRING WASHER DIAM=12X24X2,6MM	ROSETTA ELASTICA ROSETTA ELASTICA	FEDERSCHIEBE ARANDELA ELASTICA
28	93808387	1	5071-52	SPRING WASHER DIAM=6X12MM	ROSETTA ELASTICA PALIER DE BUTEE	FEDERSCHIEBE ARANDELA ELASTICA
29	1904718	1	5020-52	THRUST BEARING	CUSC REGGISPINTA EMBRAYAGE	DRUCKLAGER COJ. PRESSION/EMPUJE
30	93808507	1	5052-62	CLUTCH ASSY	FRIZIONE DISQUE D'EMBRAYAGE	KUPPLUNG EMBRAGUE
32	15970521	1	8899-99	CLUTCH DISC VALEO	DISCO FRIZIONE DISCO FRIZIONE	KUPPLUNGSSCHIEBE PLATO EMBRAGUE
33	11198374	1	1104-20	HEX BOLT M10X20	VITE 6 PANS VITE TESTA ESAGONA	SECHSKANTSCHRAUBE TORNILLO HEXAGONAL
				SPRING WASHER DIAM=10X20MM	ROSETTA ELASTICA ROSETTA ELASTICA	FEDERSCHIEBE ARANDELA ELASTICA

IVECO

Gearbox Speedometer Drive
Commande compteur de vitesse
Tachometerantrieb
Comando segnal. velocità cambio
Arrastre del velocimetro

5005-53 624 6929



IVECO
PARTS

DATE 12-90 SUBGROUP 5005-53 6246929
DESCRIPTIONS AND REMARKS

PAGE 1

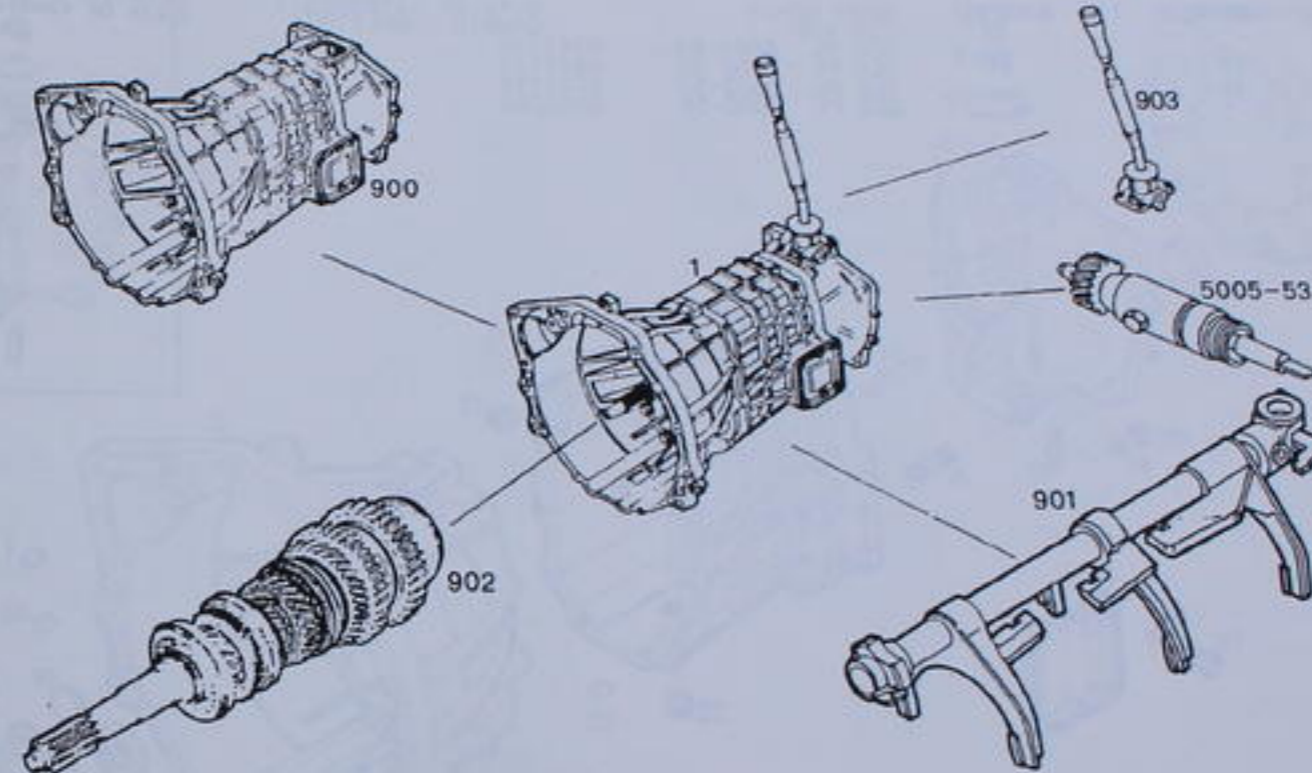
ITEM	P. NUMBER	QTY	TO-NR COD PROT	DESCRIPTION REMARK	DESIGNATION DESCRIZIONE	BENENNING DENOMINATIONES
1	8577861	1	5020-53	STOP PLATE	PLAQUE INTERMED. MOSTRINA	ZWISCHENPLATTE PLACA INTERMEDIA
2	15896211	1	1110-03	HEX NUT	ECROU 6 PANS	SECHSKANTMUTTER
3	8850482	1	5312-26	SPEEDDEVICE SUPP.	DADO EAGONALE SUPP. PIGN. TACHY/BV	TUERCA HEXAGONAL HALTER-DREHZAHLANZ
5	11194679	1	1120-04	SPRING WASHER	SUPP. SEGN. VELOCITA	SOPORT VELOCIMETRO FEDERSCHEIBE
6	8850485	1	1278-04	DIAM-6X15MM RING	RODELLE ELASTIQUE ROSETTA ELASTICA	ARANDELA ELASTICA RING
7	14457380	1	1118-48	O-RING	ANNEAU	ANILLO
8	40000671	1	5020-53	SHAFT SEAL	O-RING	O-RING
9	8858429	1	5325-26	TACH. PIGNON SHAFT	JOINT D'ARBRE AN. TEN ALBERT ROT. ARBRE PIGNON TACHY ALBERO COM. TACHIM	WELLENDICHRING ANILLO HERMET. EJE TACHDRITZELWELLE EJE PINON TACOMETR

IVECO

Gearbox
Boite de vitesses
Wechselgetriebe
Cambio di velocità
Caja cambio velocidad



5000-53 624 7115



Available during vehicle production up
to stock exhaustion

Se suministran durante la fabricación del vehículo
y hasta agotarse las reservas disponibles

Fournis pendant la production du véhicule et
jusqu'à épuisement de stock

Während der Produktion des Fahrzeugs und bis
Aufbrauch der Vorräte Lieferbar

Forniti durante la produzione del veicolo e
fino ad esaurimento delle disponibilità

IVECO DATE 12-90 SUBGROUP 5000-53 6247115 PAGE 1

PARTS DESCRIPTIONS AND REMARKS

ITEM	P. NUMBER	QTY	TO-NR COD PROT	DESCRIPTION REMARK	DESIGNATION DESCRIZIONE	BENENNING DENOMINATIONS
1	8859276	1	5305-01	GEAR BOX/1 FOR LHD	B. TE DE VITESSES/1 CAMBIO COMPLETO/1	GETRIEBE/1 CAJA DE CAMBIOS/1
900	.	.		SEE PL 5001-53	6247116	
901	.	.		SEE PL 5002-53	6247117	
902	.	.		SEE PL 5003-53	6247118	
903	.	.		SEE PL 5000-55	6256228	

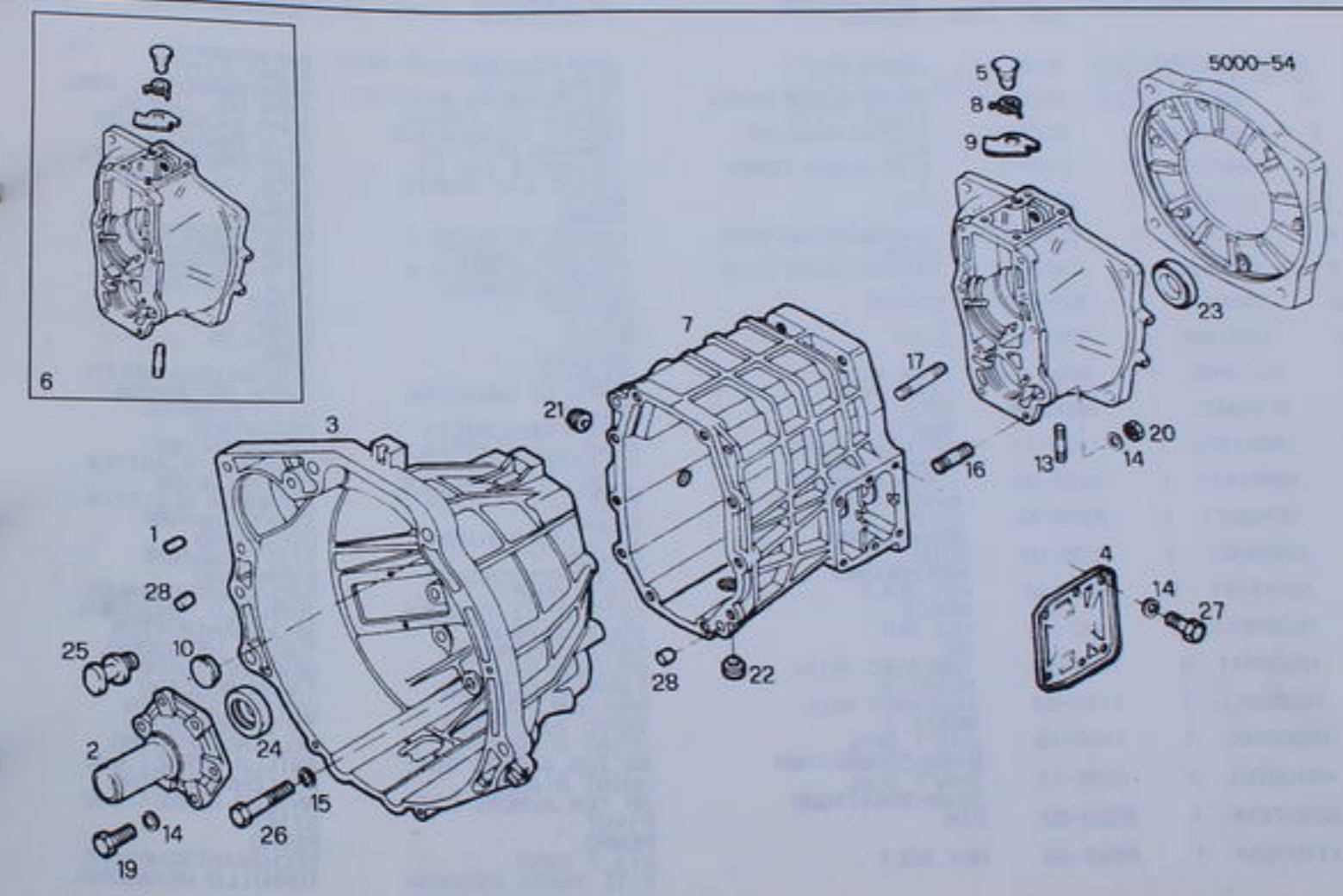
IVECO

Gearbox Housing and Covers
Carter et couvercles B.V.
Getriebegehäuse u. Deckel
Scatola e coperchi cambio
Caja y tapas cambio

Components
Pièces
Telle
Parti
Piezas



5001-53 624 7116



PAGE 1

IVECO DATE 12-90 SUBGROUP 5001-53 6247116

PARTS DESCRIPTIONS AND REMARKS

ITEM	P. NUMBER	QTY	TO-NR COD PROT	DESCRIPTION REMARK	DESIGNATION DESCRIZIONE	BENENNING DENOMINAZIONE
1	4647524	1	5020-52	DOWEL PIN	GOUPILLE AJUSTEE GRAND	PASSSTIFT
2	8857714	1	5020-52	FRONT G. BOX COVER	COUVERCLE AV. BV	PERNO AJUSTE
3	8858036	1	5020-52	FRONT CLUTCH HOUSING ASSY	COPERC. ANT. CAMBIO	GETRIEBEDECKEL VOR
4	8858617	1	5305-51	SIDE G. BOX COVER	CAMPANA FRIZIONE	TAPA ANT. CAMBIO
5	8858898	1	5359-22	PIN	COUVERCLE LAT. BV	KUPPLUNGSGEHAUSE
6	8859279	1	5301-07	TRANSMISSION CASE ASSY	COPERC. LAT. CAMBIO	CAJA EMBRAGUE
7	8859293	1	5302-05	TRANSMISSION CASE	PERNO	GETRIEBEDECK. SEITE
8	8859479	1	5359-22	SPRING	PERNO	TAPA LAT. CAMBIO
9	8859480	1	5359-22	STOP	PERNO	STIFT
10	10159100	1	8899-99	LOCK PLUG DIAM=24MM	PERNO	PERNO
13	12429421	1	8899-99	STUD MBX20	PERNO	GETRIEBEGEHAUSE
14	12601379	1	1129-04	SPRING WASHER DIAM=8,3MM	SCATOLA CAMBIO	CAJA ENGRANAJE
15	12601471	1	1129-04	SPRING WASHER DIAM=10,5MM	CARTER DE BOITE V	GETRIEBEGEHAUSE
16	13543621	1	8899-99	STUD MBX16X30MM	CARTER DE BOITE V	CAJA ENGRANAJE
17	13543921	1	8899-99	STUD MBX16X45MM	RESSORT	FEDER
19	16043621	1	8899-99	HEX. BOLT MBX25	MOLLA	RESORTE
20	16100811	1	1110-03	HEX. NUT MB	BUTEE	ANSCHLAG
21	16996511	1	1147-51	THREADED PLUG M22X1,5	ARRESTO	TOPE
22	16998511	1	1147-53	THREADED PLUG M22X1,5	BOUCHON	VERSCHLUSSSTOPFEN
23	40000160	1	1100-48	SHAFT SEAL DIAM=53X68X10MM	TAPPO DI CHIUSURA	TAPON OBTURADOR
24	40100791	1	1248-17	SHAFT SEAL DIAM=30X47X8MM	GOUJON	STIFTSCHRAUBE
25	93807414	1	5020-52	PIN	VITE PRIGIONIERA	ESPARRAGO
26	11107624	1	8899-99	HEX. BOLT	VITE PRIGIONIERA	FEDERSCHIEBE
					GOJON	ARANDELA ELASTICA
					VITE PRIGIONIERA	FEDERSCHIEBE
					VITE TESTA ESAGONA	ARANDELA ELASTICA
					ECROU 6 PANS	STIFTSCHRAUBE
					DADO ESAGONALE	ESPARRAGO
					BOUCHON FILETE	SECHSKANTSCHRAUBE
					TAPPO FILETTATO	TORNILLO HEXAGONAL
					BOUCHON FILETE	SECHSKANTMUTTER
					TAPPO FILETTATO	TUERCA HEXAGONAL
					JOINT D'ARBRE	GEWINDESTOPFEN
					AN. TEN. ALBERI ROT.	TAPON ROSCADO
					JOINT D'ARBRE	GEWINDESTOPFEN
					AN. TEN. ALBERI ROT.	TAPON ROSCADO
					PIVOT	WELLENDICHRING
					PERNO	ANILLO HERMET. EJE
					VIS 6 PANS	WELLENDICHRING
					VITE TESTA ESAGONA	ANILLO HERMET. EJE
						STIFT
						PERNO
						SECHSKANTSCHRAUBE
						TORNILLO HEXAGONAL

PAGE 2

IVECO DATE 12-90 SUBGROUP 5001-53 6247116

PARTS DESCRIPTIONS AND REMARKS

ITEM	P. NUMBER	QTY	TO-NR COD PROT	DESCRIPTION REMARK	DESIGNATION DESCRIZIONE	BENENNING DENOMINAZIONE
27	16043424	1	8899-99	HEX. BOLT MBX20	VIS 6 PANS	SECHSKANTSCHRAUBE
28	10839810	1	1137-06	DOWEL PIN 12	VITE TESTA ESAGONA GOUPILLE AJUSTEE GRAND	TORNILLO HEXAGONAL PASSSTIFT PERNO AJUSTE

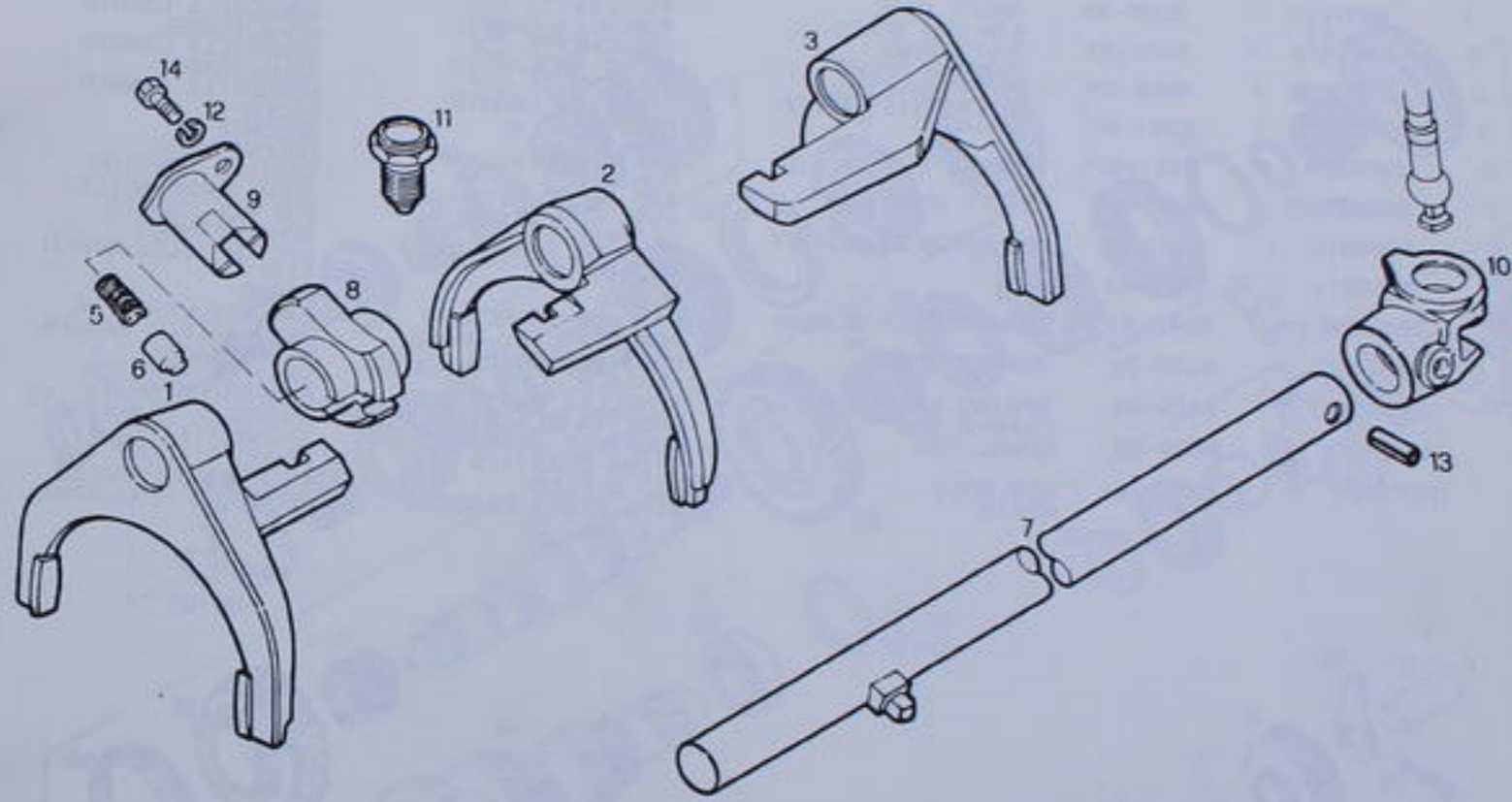
IVECO

Gearbox Inner Controls
Commandes internes B.V.
Schaltungen
Comandi interni cambio
Mandos interiores cambio

Components
Pièces
Telle
Parti
Piezas



5002-53 624 7117



IVECO
PARTS

DATE 20-12-90

SUBGROUP 5002-53

6247117

PAGE 1

DESCRIPTIONS AND REMARKS

ITEM	P. NUMBER	QTY	TO-NR COD PROT	DESCRIPTION REMARK	DESIGNATION DESCRIZIONE	BENENNUNG DENOMINACIONES
1	8857827	1	5020-53	SHIFT FORK 4TH-5TH SPEED	FOURCHETTE CDE FORCELLA CAMBIO	SCHALTGABEL HORQUILLA CAMBIO
2	8857828	1	5020-53	SHIFT FORK 2ND-3RD SPEED	FOURCHETTE CDE FORCELLA CAMBIO	SCHALTGABEL HORQUILLA CAMBIO
3	8857829	1	5020-53	SHIFT FORK REVERSE-1ST SPEED	FOURCHETTE CDE FORCELLA CAMBIO	SCHALTGABEL HORQUILLA CAMBIO
5	8858502	1	5321-50	REVERSE-1ST SPEED SPRING	RESSORT MOLLA	FEDER RESORTE
6	8858504	1	5321-52	THRUST ROD	BRAS DE LEVIER PUNTALE	DRUCKSTANGE VARILLA PRESTION
7	8858510	1	5340-21	SHIFT FORK ROD	AXE FOURCHETTE BV ASTA FORC. CAMBIO	SCHALTGABELWELLE EJE HOR. CAMBIO
8	8858910	1	5331-22	GEARSEG. GEARSHIFT	SECTEUR SELECT VIT SETTORE SEL. MARCE	SCHALTFINGER SECTOR SELEC. MARCH
9	8858911	1	5339-22	PIN	PIVOT PERNO	STIFT PERNO
10	8859294	1	5348-21	GEAR SELECT. SLEEVE	MANCHON SELECT BV MANICOTT SEL. MARCE	GANGWAEHLERMUFFE MANG. SELECT. MARCHA
11	8859408	1	5359-22	THRUST ROD	BRAS DE LEVIER PUNTALE	DRUCKSTANGE VARILLA PRESTION
12	12601379	1	1129-04	SPRING WASHER DIAM-6.3MM	RONDELLE ELASTIQUE ROSETTA ELASTICA	FEDERSCHEIBE ARANDELA ELASTICA
13	14609970	1	8899-99	DOWEL PIN	GOUILLE SERRAGE SPINA ELASTICA	SPANNSTIFT PERNO FIADOR
14	16043221	1	1102-01	HEX. BOLT M8X16	VIS 6 PANS VITE TESTA ESAGONA	SECHSKANTSCHRAUBE TORNILLO HEXAGONAL

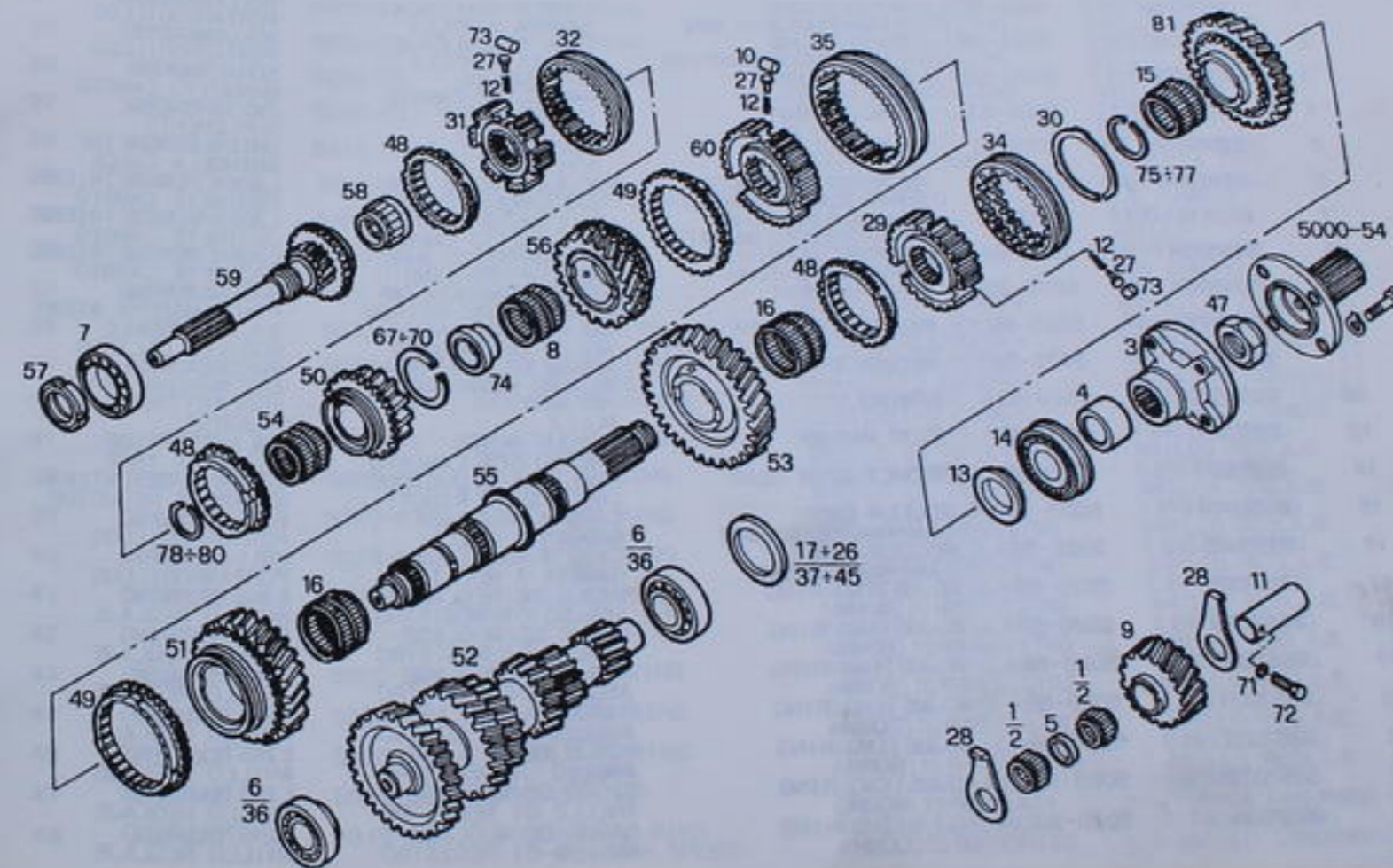
IVECO

Gearbox Shafts and Gears
Engranajes et arbres B.V.
Getriebe-Zahnräder und Wellen
Alberi a ruotismi cambio
Engranajes y arbol

Componente
Pièces
Teile
Parti
Piezas



5003-53 624 7118



IVECO
PARTS

DATE 12-10 SUBGROUP 5003-53 6247118

DESCRIPTIONS AND REMARKS

PAGE 1

ITEM	P. NUMBER	QTY	TO-NR COD PROT	DESCRIPTION REMARK	DESIGNATION DESCRIZIONE	BENENNUNG DENOMINAZIONE
1	8558292	2	5020-53	ROLLER CAGE DIAM-24X30X16,8MM	CAGE A ROULEAUX GABBIA A RULLI	ROLLENKAEFIG PORTARRODILLOS
2	8558293	2	1264-60	ROLLER CAGE DIAM-24X30X17MM*FAG	CAGE A ROULEAUX GABBIA A RULLI	ROLLENKAEFIG PORTARRODILLOS
3	8583604	1	5020-53	SHIFT SLEEVE	MANCHON BV MANICOTTO CAMBIO	SCHALTMUFFE MANGUITO CAMBIO
4	8583606	1	5020-53	SPACING BAR	INTERCALAIRE DISTANZIALE	ZWISCHENLAGE SUPPLEMENTO
5	8835003	1	5020-53	WASHER	RONDELLE RONDELLA	UNTERLEGSCHIEBE ARANDELA CALCE
6	8835016	2	5020-53	GEARBOX BEARINGS DIAM-30X62X17MM	ROULEMENT DE B.V. CUSCINETTO CAMBIO	LAGER FUR GETRIEBE COJINETE CAMBIO
7	8835191	1	1263-40	GEARBOX BEARINGS DIAM-35X60X21MM*RV	ROULEMENT DE B.V. CUSCINETTO CAMBIO	LAGER FUR GETRIEBE COJINETE CAMBIO
8	8856354	1	1264-60	GEARBOX BEARINGS DIAM-52X58X32MM	ROULEMENT DE B.V. CUSCINETTO CAMBIO	LAGER FUR GETRIEBE COJINETE CAMBIO
9	8856931	1	5020-53	REVERSE GEAR	ROUE DE MARCHE AR INGRANAGGIO RETROM	RUECKLAUFRAD PINON MARCHA ATRAS
10	8856938	3	5020-53	PARALLEL ROLLER 2A-3A	ROULEAU CYLINDR. RULLO CILINDRICO	ZYLINDERROLLE RODILLO CILINDR.
11	8856952	1	5020-53	RETURN SHAFT	ARBRE DE MARCHE AR ALBERO RETROMARCIA	RUECKLAUFWELLE EJE MARCHA ATRAS
12	8856960	9	5020-53	SPRING	RESSORT MOLLA	FEDER RESORTE
13	8856970	1	5020-53	STOP WASHER	DISQUE BUTEE ANELLO SPALLAMENTO	ARANDELA TOPE ARANDELA TOPE
14	8856971	1	5020-53	REDUCT. GEAR BEAR.	ROULT DE REDUCTEUR CUSCINETTO RIDUTT	LAGER F. GE. UNTERS. COJINETE REDUCTOR
15	8856974	1	5020-53	ROLLER CAGE DIAM-44X50X30,5MM	CAGE A ROULEAUX GABBIA A RULLI	ROLLENKAEFIG PORTARRODILLOS
16	8856975	2	5020-53	ROLLER CAGE DIAM-49X55X32MM	CAGE A ROULEAUX GABBIA A RULLI	ROLLENKAEFIG PORTARRODILLOS
17	8857028	1	5020-53	ADJUSTING RING SP. 1,40MM	BAGUE DE REGLAGE ANELLO DI REGISTRO	EINSTELLRING ANILLO REGLAJE
18	8857029	1	5020-53	ADJUSTING RING SP. 1,50MM	BAGUE DE REGLAGE ANELLO DI REGISTRO	EINSTELLRING ANILLO REGLAJE
19	8857030	1	5020-53	ADJUSTING RING SP. 1,60MM	BAGUE DE REGLAGE ANELLO DI REGISTRO	EINSTELLRING ANILLO REGLAJE
20	8857031	1	5020-53	ADJUSTING RING SP. 1,70MM	BAGUE DE REGLAGE ANELLO DI REGISTRO	EINSTELLRING ANILLO REGLAJE
21	8857032	1	5020-53	ADJUSTING RING SP. 1,80MM	BAGUE DE REGLAGE ANELLO DI REGISTRO	EINSTELLRING ANILLO REGLAJE
22	8857033	1	5020-53	ADJUSTING RING SP. 1,90MM	BAGUE DE REGLAGE ANELLO DI REGISTRO	EINSTELLRING ANILLO REGLAJE
23	8857034	1	5020-53	ADJUSTING RING SP. 2,00MM	BAGUE DE REGLAGE ANELLO DI REGISTRO	EINSTELLRING ANILLO REGLAJE

IVECO
PARTS

DATE 12-10 SUBGROUP 5003-53 6247118

DESCRIPTIONS AND REMARKS

PAGE 2

ITEM	P. NUMBER	QTY	TO-NR COD PROT	DESCRIPTION REMARK	DESIGNATION DESCRIZIONE	BENENNUNG DENOMINAZIONE
24	8857035	1	5020-53	ADJUSTING RING SP. 2,10MM	BAGUE DE REGLAGE ANELLO DI REGISTRO	EINSTELLRING ANILLO REGLAJE
25	8857036	1	5020-53	ADJUSTING RING SP. 2,20MM	BAGUE DE REGLAGE ANELLO DI REGISTRO	EINSTELLRING ANILLO REGLAJE
26	8857037	1	5020-53	ADJUSTING RING SP. 2,30MM	BAGUE DE REGLAGE ANELLO DI REGISTRO	EINSTELLRING ANILLO REGLAJE
27	8857300	9	5020-53	PIN	PERNO	STIFT
28	8857305	2	5315-09	STOP WASHER	DISQUE BUTEE ANELLO SPALLAMENTO	ARANDELA TOPE ARANDELA TOPE
29	8857373	1	5020-53	GEAR BOX HUB REVERSE-1ST SPEED	MOYEU DE BV MOZZO CAMBIO	GETRIEBENABE EJE CAMBIO
30	8857374	1	5020-53	RING	ANNEAU ANELLO	RING ANILLO
31	8857613	1	5020-53	GEAR BOX HUB 4TH-5TH SPEED	MOYEU DE BV MOZZO CAMBIO	GETRIEBENABE EJE CAMBIO
32	8857614	1	5020-53	SLIDING SLEEVE 4TH-5TH SPEED	MANCHON BALADEUR MANICOTTO SCORREV.	SCHIEBEMUFFE MANGUITO CORREDIZO
34	8857734	1	5020-53	SLIDING SLEEVE REVERSE-1ST SPEED	MANCHON BALADEUR MANICOTTO SCORREV.	SCHIEBEMUFFE MANGUITO CORREDIZO
35	8857735	1	5020-53	SLIDING SLEEVE 2ND-3RD SPEED	MANCHON BALADEUR MANICOTTO SCORREV.	SCHIEBEMUFFE MANGUITO CORREDIZO
36	8857787	2	5020-54	GEARBOX BEARINGS	ROULEMENT DE B.V. CUSCINETTO CAMBIO	LAGER FUR GETRIEBE COJINETE CAMBIO
37	8857795	1	5020-53	ADJUSTING RING SP. 2,25MM	BAGUE DE REGLAGE ANELLO DI REGISTRO	EINSTELLRING ANILLO REGLAJE
38	8857796	1	5020-53	ADJUSTING RING SP. 2,15MM	BAGUE DE REGLAGE ANELLO DI REGISTRO	EINSTELLRING ANILLO REGLAJE
39	8857797	1	5020-53	ADJUSTING RING SP. 2,05MM	BAGUE DE REGLAGE ANELLO DI REGISTRO	EINSTELLRING ANILLO REGLAJE
40	8857798	1	5020-53	ADJUSTING RING SP. 1,95MM	BAGUE DE REGLAGE ANELLO DI REGISTRO	EINSTELLRING ANILLO REGLAJE
41	8857799	1	5020-53	ADJUSTING RING SP. 1,85MM	BAGUE DE REGLAGE ANELLO DI REGISTRO	EINSTELLRING ANILLO REGLAJE
42	8857800	1	5020-53	ADJUSTING RING SP. 1,75MM	BAGUE DE REGLAGE ANELLO DI REGISTRO	EINSTELLRING ANILLO REGLAJE
43	8857801	1	5020-53	ADJUSTING RING SP. 1,65MM	BAGUE DE REGLAGE ANELLO DI REGISTRO	EINSTELLRING ANILLO REGLAJE
44	8857802	1	5020-53	ADJUSTING RING SP. 1,55MM	BAGUE DE REGLAGE ANELLO DI REGISTRO	EINSTELLRING ANILLO REGLAJE
45	8857803	1	5020-53	ADJUSTING RING SP. 1,45MM	BAGUE DE REGLAGE ANELLO DI REGISTRO	EINSTELLRING ANILLO REGLAJE
47	8857862	1	5020-53	GROOVED NUT	ECROU RAINURE	TUERCA RANURADA
48	8858340	3	5319-04	SYNCHRONIZ. RING 1ST-4TH-5TH SPEED	GHIERA SCANALATA ANNEAU DE SYNCHR. ANELLO SINCRONIZZ.	SYNCHRONRING ANILLO SINCRONIZ.

IVECO
PARTS

DATE 12-90

SUBGROUP 5003-53

6247118

PAGE 3

DESCRIPTIONS AND REMARKS

ITEM	P. NUMBER	QTY	TO-NR COD PROT	DESCRIPTION REMARK	DESIGNATION DESCRIZIONE	BENENNING DENOMINATIONS
49	8858394	2	5319-14	SYNCHRONIZ RING	ANNEAU DE SYNCHR	SYNCHRONRING
50	8858483	1	5303-15	2ND-3RD SPEED SPLITTER GEAR	ANELLO SINCRONIZZ.	ANILLO SINCRONIZ.
51	8858632	1	5303-15	4TH SPEED SPLITTER GEAR	PIGNONS BV REDUCT	DN. ZAHNRAED. GETR.
52	8858636	1	5302-12	2ND SPEED COUNTERSHAFT	INGR. CAMBIO/RIDUTT	ENG. REDCT. CAMBIO
53	8858642	1	5303-15	SPLITTER GEAR 1ST SPEED	INGR. CAMBIO/RIDUTT	ENG. REDCT. CAMBIO
54	8858644	1	1264-60	GEARBOX BEARINGS 41X48X31MM	ARBRE SECONDARIO	VORGELEGEWELLE
55	8858681	1	5302-11	MAIN SHAFT	ALBERO SECONDARIO	ARBOL. SECUNDARIO
56	8858682	1	5303-15	SPLITTER GEAR 3RD SPEED	PIGNONS BV REDUCT	DN. ZAHNRAED. GETR.
57	8858690	1	5310-19	GROOVED NUT M35X1.5	INGR. CAMBIO/RIDUTT	ENG. REDCT. CAMBIO
58	8858691	1	1264-60	GEARBOX BEARINGS 20X36X24MM	ROULEMENT DE B.V.	LAGER FUR GETRIEBE
59	8858692	1	5301-10	INPUT SHAFT	CUSCINETTO CAMBIO	COJINETE CAMBIO
60	8858710	1	5302-19	GEAR BOX HUB 2ND-3RD SPEED	ARBRE D'ENTREE	ANTRIEBSWELLE
67	8859365	1	1248-06	SPRING LOCKWASHER SP= 2.00 MM	ALBERO DI ENTRATA	ARBOL. PRIMARIO
68	8859366	1	1248-06	SPRING LOCKWASHER SP= 2.05 MM	MOYEU DE BV	GETRIEBENABE
69	8859367	1	1248-06	SPRING LOCKWASHER SP= 2.10 MM	MOZZO CAMBIO	EJE CAMBIO
70	8859368	1	1248-06	SPRING LOCKWASHER SP= 2.15 MM	RONDELLE GROWER	FEDERRING
71	10571574	1	8899-99	SPRING WASHER DIAM=6MM	ANELLO ELASTICO	ARANDELA ELASTICA
72	10902421	1	1101-02	HEX BOLT M6X20	RONDELLE GROWER	FEDERRING
73	28043640	6	1100-03	ROLLER	ANELLO ELASTICO	ARANDELA ELASTICA
74	8858680	1	5309-15	BUSH	RONDELLE ELASTIQUE	ARANDELA ELASTICA
75	8857015	1	5020-53	CIRCLIP SP. 2.00MM	ROSETTA ELASTICA	FEDERSCHIEBE
76	8857016	1	5020-53	CIRCLIP SP. 2.05MM	VIS 6 PANS	ARANDELA ELASTICA
77	8857017	1	5020-53	CIRCLIP SP. 2.10MM	VITE TESTA ESAGONA	SECHSKANTSCHRAUBE
					ROULEAU/GALET	TORNILLO HEXAGONAL
					RULLO	ROLLE
					DOUILLE	RODILLO/POLEA
					BOCCOLA	BUCHSE
					CIRCLIP	CASQUILLO
					ANELLO DI SICUREZZ	SICHERUNGSRING
					CIRCLIP	CIRCLIP
					ANELLO DI SICUREZZ	SICHERUNGSRING
					CIRCLIP	CIRCLIP
					ANELLO DI SICUREZZ	SICHERUNGSRING
					CIRCLIP	CIRCLIP
					ANELLO DI SICUREZZ	SICHERUNGSRING
					CIRCLIP	CIRCLIP

IVECO
PARTS

DATE 12-90

SUBGROUP 5003-53

6247118

PAGE 4

DESCRIPTIONS AND REMARKS

ITEM	P. NUMBER	QTY	TO-NR COD PROT	DESCRIPTION REMARK	DESIGNATION DESCRIZIONE	BENENNING DENOMINATIONS
78	8857018	1	5020-53	CIRCLIP SP. 2.00MM	CIRCLIP	SICHERUNGSRING
79	8857019	1	5020-53	CIRCLIP SP. 2.05MM	ANELLO DI SICUREZZ	CIRCLIP
80	8857020	1	5020-53	CIRCLIP SP. 2.10MM	ANELLO DI SICUREZZ	CIRCLIP
81	8857897	1	5315-07	REVERSE GEAR	ROUE DE MARCHE AR	RUECKLAUFRAD
					INGRANAGGIO RETROM	PINON MARCHA ATRAS

IVECO

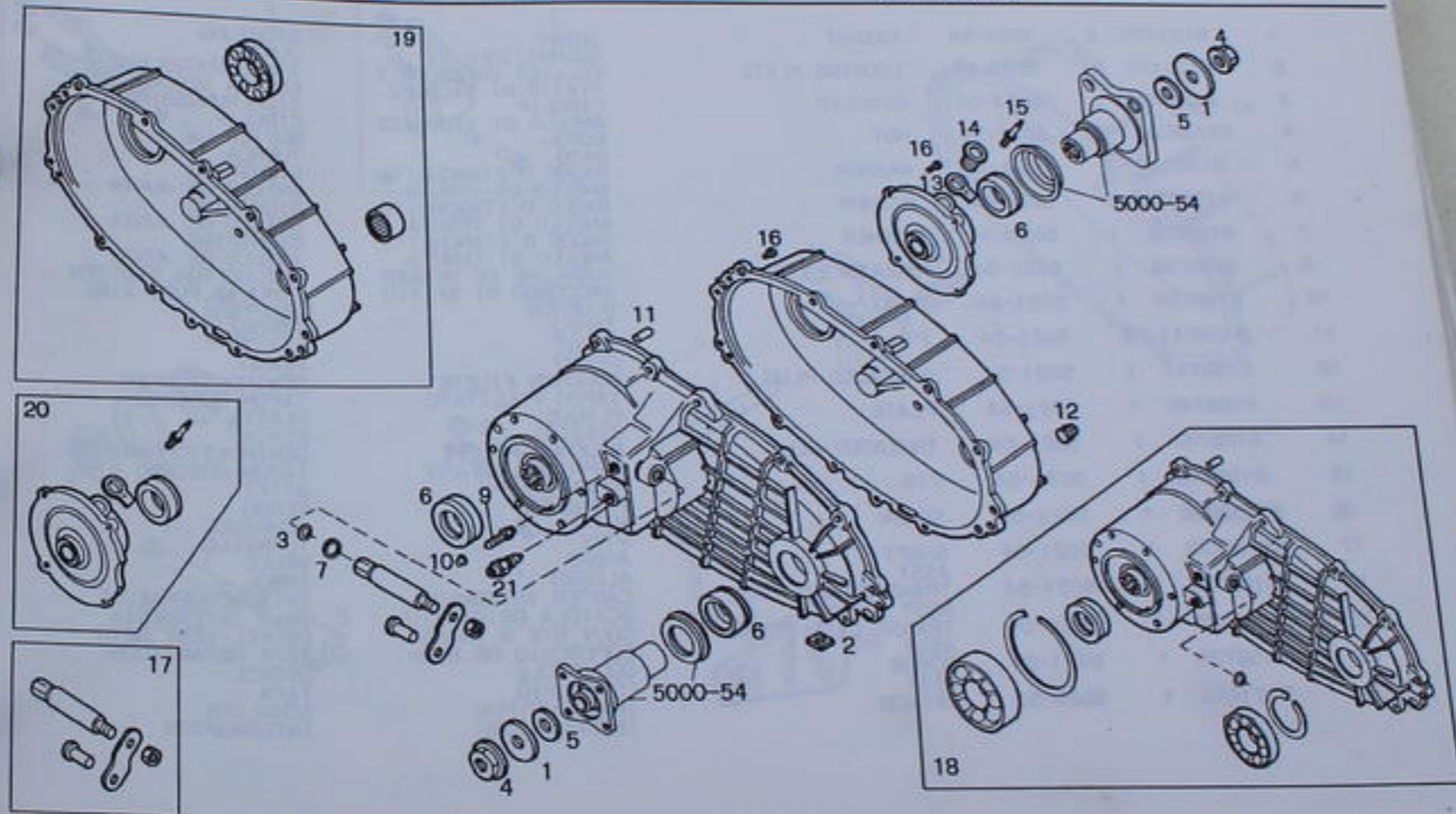
Transfer Case Housing and Covers
Carter et couvercles boîte de transfert
Gehäuse und Deckel, Vorgelege
Scatola e coperchi gruppo di rinvio
Caja y tapas reenvío

Components
Pièces
Teile
Parti
Piezas



ASSY NR. 8850465

5001-54 625 5309



IVECO
PARTS

DATE 11-12-90

SUBGROUP 5001-54

6255309

PAGE 1

DESCRIPTIONS AND REMARKS

ITEM	P. NUMBER	QTY	TO-NR COD PROT	DESCRIPTION REMARK	DESIGNATION DESCRIZIONE	BENENNING DENOMINAZIONE
1	8121475	2	5021-54	GASKET	JOINT	DICHTUNG
2	8121476	1	5021-54	LOCKING PLATE	GUARNIZIONE	JUNTA
3	8121497	1	5021-54	CIRCLIP	GOLLIER DE SECURIT	SICHERUNGSBLECH
4	93156037	2	5021-54	NUT	PIASTR. DI SICUREZZ.	ECLISA SEGRD
5	8198730	2	5021-54	WASHER	CIRCLIP	STOCHERUNGSRING
6	8198731	3	5021-54	WASHER	ANELLO DI SICUREZZ	CIRCLIP
7	8198736	1	5021-54	WASHER	ECROU	MUTTER
9	8198738	1	5021-54	BREATHER CONN.	DADO	TUERCA
10	8198739	1	5021-54	PLUG	BAGUE D'ETANCHEITE	DICHTRING
11	8198741	2	5021-54	PIN	ANELLO DI TENUTA	ANILLO DE JUNTA
12	8198743	1	5021-54	THREADED PLUG	BAGUE D'ETANCHEITE	DICHTRING
13	8198746	1	5021-54	PLATE	ANELLO DI TENUTA	ANILLO DE JUNTA
14	8198747	1	5021-54	THREADED PLUG	BAGUE D'ETANCHEITE	DICHTRING
15	8198748	1	5021-54	PIN	ANELLO DI TENUTA	ANILLO DE JUNTA
16	93155065	4	5021-54	SCREW	TUBULURE DE DESAER	ENTLUEFTGS. STUTZEN
17	93156723	1	5021-54	SHAFT ASSY	RACCORDO DI SFILATO	TUBULAD. PURG. AIRE
18	93156724	1	5021-54	TRANSFER BOX CASE ASSY	BOUCHON	STOPFEN
19	93156725	1	5021-54	TRANSF. CASE COVER ASSY	TAPPO	TAPON
20	93156726	1	5021-54	COVER ASSY	PIVOT	STIFT
21	8121478	1	5020-53	SWITCH	PERNO	PERNO
					BOUCHON FILETE	GEWINDESTOPFEN
					TAPPO FILETTATO	TAPON ROSCADO
					PLAQUE	PLATTE
					PIASTRA	PLACA
					BOUCHON FILETE	GEWINDESTOPFEN
					TAPPO FILETTATO	TAPON ROSCADO
					PIVOT	STIFT
					PERNO	PERNO
					VIS	SCHRAUBE
					ARBRE	TORNILLO
					ALBERO	WELLE
					CARTER INTERMED.	ARBOL
					SCATOLA GR. RINVIO	ZWISCHENGEHAEUSE
					COUV. BTE D. TRANSF.	CAJA INTERMEDIA
					COPERCHIO GR. RINV.	DECKEL-VERT. GETR.
					COPERCHIO	TAPA REPARTIDOR
					INTERRUPTEUR	DECKEL
					INTERRUTTORE	TAPA
						SCHALTER
						INTERRUPTOR

IVECO

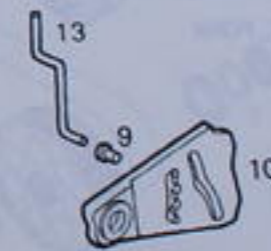
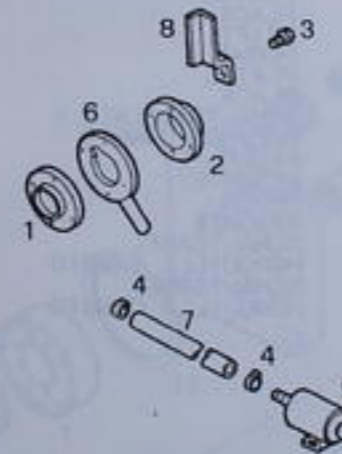
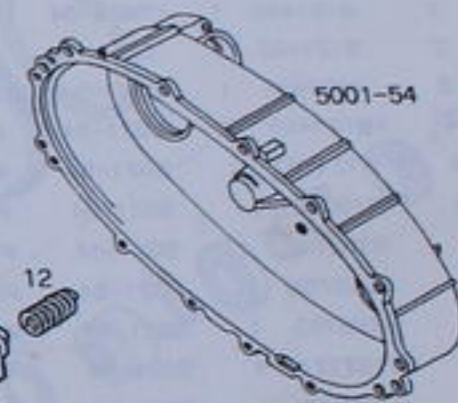
Transfer Case Controls
Commandes bolte de transfert
Vorgelege-Schaltung
Comandi gruppo di rinvio
Mando caja de reenvio

Components
Pièces
Parti
Piezas



ASSY NR. 8850485

5002-54 625 5310



IVECO
PARTS

DATE 12-90 SUBGROUP 5002-54 6255310

PAGE 1

DESCRIPTIONS AND REMARKS

ITEM	P. NUMBER	QTY	TO-NR COD PROT	DESCRIPTION REMARK	DESIGNATION DESCRIZIONE	BENENNING DENOMINATIONS
1	8121480	1	5021-54	COVER FRONT	COUVERCLE COPERCHIO	DECKEL TAPA
2	8121482	1	5021-54	COVER REAR	COUVERCLE COPERCHIO	DECKEL TAPA
3	8121483	1	5021-54	REAR SCREW	COUVERCLE COPERCHIO	SCHRAUBE TORNILLO
4	8121485	2	5021-54	CLIP	VITE	SPANNSCHELLE
5	8121487	1	5021-54	FILTER	COLLIER SERRAGE COLLARE DI FISS.	ABRAZADERA FIJAC. FILTRO
6	8190521	1	5021-54	PUMP HOUSING	FILTRO	FILTRO
7	8198749	1	5021-54	PIPE	CORPS DE POMPE CORPO DELLA POMPA	PUMPENGEHAUSE CUERPO BOMBA
8	8198750	1	5021-54	PLATE	TUBE	ROHR TUBO
9	8198753	1	5021-54	PIN	PLAQUE	PLATTE
10	93157171	1	5021-54	PLATE	PIASTRA	PLACA
11	8198757	1	5021-54	SHIFT FORK ROD	PIVOT	STIFT
12	8198760	1	5021-54	SPRING	PERNO	PERNO
13	8198761	1	5021-54	SPRING	PLAQUE	PLATTE
14	93156721	1	5021-54	SHIFT FORK ASSY	PIASTRA	PLACA
15	93156722	1	5021-54	SHIFT FORK ASSY	AXE FOURCHETTE BY ASTA FORC. CAMBIO	SCHALTGABELWELLE EJE HOR. CAMBIO
					RESSORT	FEDER
					MOLLA	RESORTE
					RESSORT	FEDER
					MOLLA	RESORTE
					FOURCHETTE CDE FORCELLA CAMBIO	SCHALTGABEL HORQUILLA CAMBIO
					FOURCHETTE CDE FORCELLA CAMBIO	SCHALTGABEL HORQUILLA CAMBIO

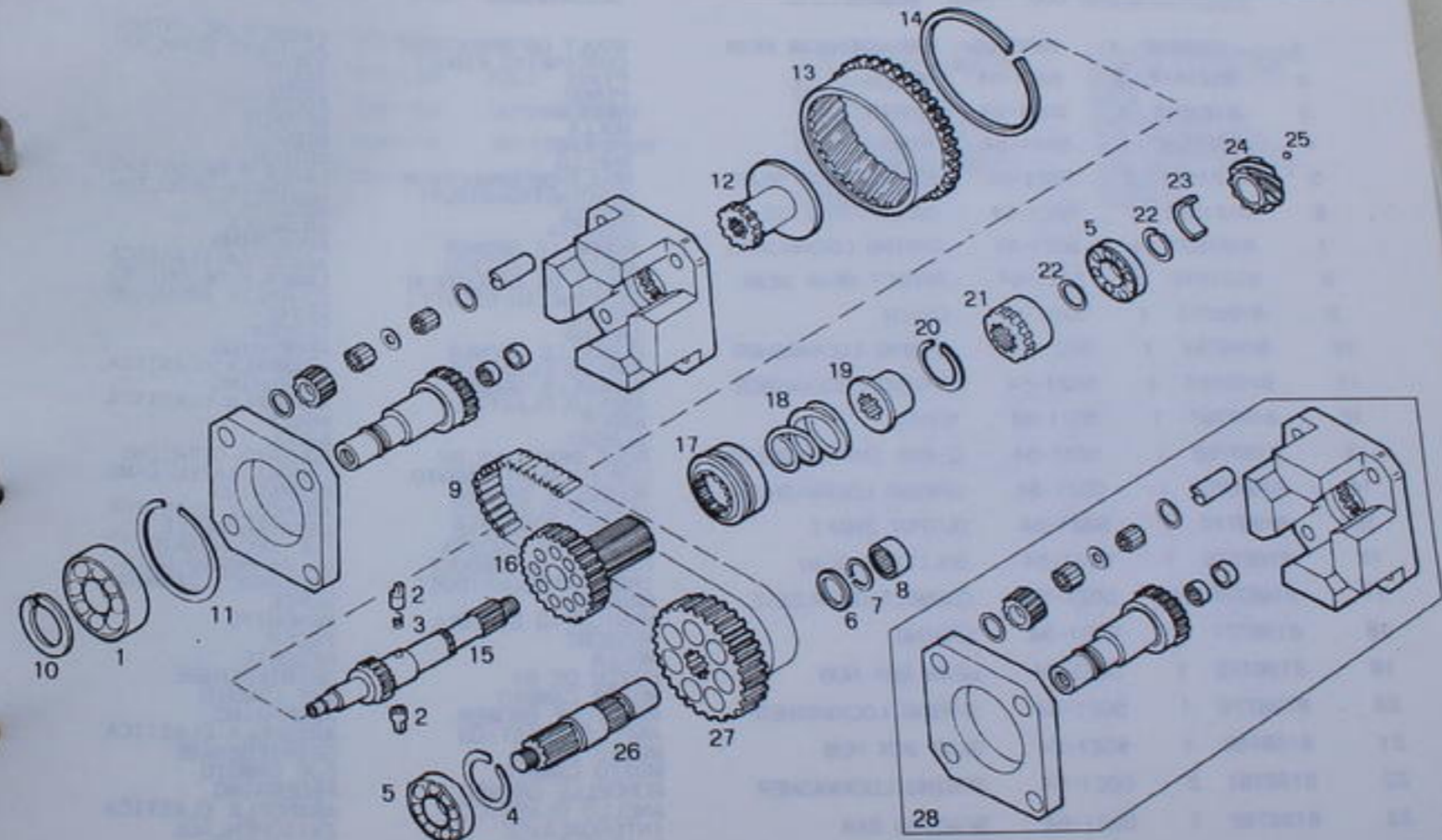
IVECO

Transfer Case Shafts and Gears
Engrenages et arbres boîte de transfert
Zahnrad- und Wellen Vorgelege
Alberi e ruotismi gruppo di rinvio
Arboles y engranajes caja de reenvio

Components
Pièces
Teile
Parti
Piezas

ASSY NR. 8850465

5003-54 625 5311



IVECO
PARTS

DATE 20-12-90

SUBGROUP 5003-54

6255311

PAGE 1

DESCRIPTIONS AND REMARKS

ITEM	P. NUMBER	QTY	TO-NR COD PROT	DESCRIPTION REMARK	DESIGNATION DESCRIZIONE	BENENNING DENOMINATIONES
1	1905028	1	8899-99	REDUCT. GEAR BEAR.	ROULT DE REDUCTEUR CUSCINETTO RIDUTT.	LAGER F. GE. UNTERS. COJINETE REDUCTOR
2	8121514	2	5021-54	PIN	PIVOT	STIFT
3	8121515	1	5021-54	SPRING	PERNO	FEDER
4	8121526	1	5021-54	RING	RESSORT	RESORTE
5	8121528	2	5021-54	REDUCT. GEAR BEAR.	MOLLA	RING
6	8121532	1	5021-54	COLLAR/ROSETTE	ANNEAU	ANILLO
7	8121533	1	5021-54	SPRING LOCKWASHER	ROULT DE REDUCTEUR CUSCINETTO RIDUTT.	LAGER F. GE. UNTERS. COJINETE REDUCTOR
8	8121534	1	5021-54	REDUCT. GEAR BEAR.	ROSETTE	ROSETTE
9	8190519	1	5021-54	CHAIN	ROSETTA	ARANDELA
10	8198762	1	5021-54	SPRING LOCKWASHER	RONDELLE GROWER	FEDERRING
11	8198763	1	5021-54	SPRING LOCKWASHER	ANELLO ELASTICO	ARANDELA ELASTICA
12	8198767	1	5021-54	SHAFT	RONDELLE GROWER	ARANDELA ELASTICA
13	8198768	1	5021-54	G. BOX INT. RING GEAR	ROULT DE REDUCTEUR CUSCINETTO RIDUTT.	LAGER F. GE. UNTERS. COJINETE REDUCTOR
14	8198769	1	5021-54	SPRING LOCKWASHER	CHAINE	KETTE
15	8198774	1	5021-54	OUTPUT SHAFT	CATENA	CADENA
16	8198775	1	5021-54	SPLITTER GEAR	RONDELLE GROWER	FEDERRING
17	8198776	1	5021-54	CONNECTION SLEEVE	ANELLO ELASTICO	ARANDELA ELASTICA
18	8198777	1	5021-54	SPRING	ARBRE	WELLE
19	8198778	1	5021-54	GEAR BOX HUB	ALBERO	ARBOL
20	8198779	1	5021-54	SPRING LOCKWASHER	ROUE DENT. INT. BV	HOHLRAD-GETRIEBE
21	8198780	1	5021-54	GEAR BOX HUB	CORONA DENT. CAMBIO	CORONA SATEL. CAMB.
22	8198781	2	5021-54	SPRING LOCKWASHER	RONDELLE GROWER	FEDERRING
23	8198782	1	5021-54	SPACING BAR	ANELLO ELASTICO	ARANDELA ELASTICA
					MOYEU DE BV	EJE SECUNDARIO
					RONDELLE GROWER	DN. ZAHNRAED. GETR.
					ANELLO ELASTICO	ENGR. CAMBIO/RIDUTT
					MOYEU DE BV	SUPPORT/APPUI
					RONDELLE GROWER	SUPPORTO
					ANELLO ELASTICO	STUETZE
					INTERCALAIRE	SOPORTE
					DISTANZIALE	
						SUPLEMENTO

IVECO
PARTS

DATE 20-12-90

SUBGROUP 5003-54

6255311

PAGE 2

DESCRIPTIONS AND REMARKS

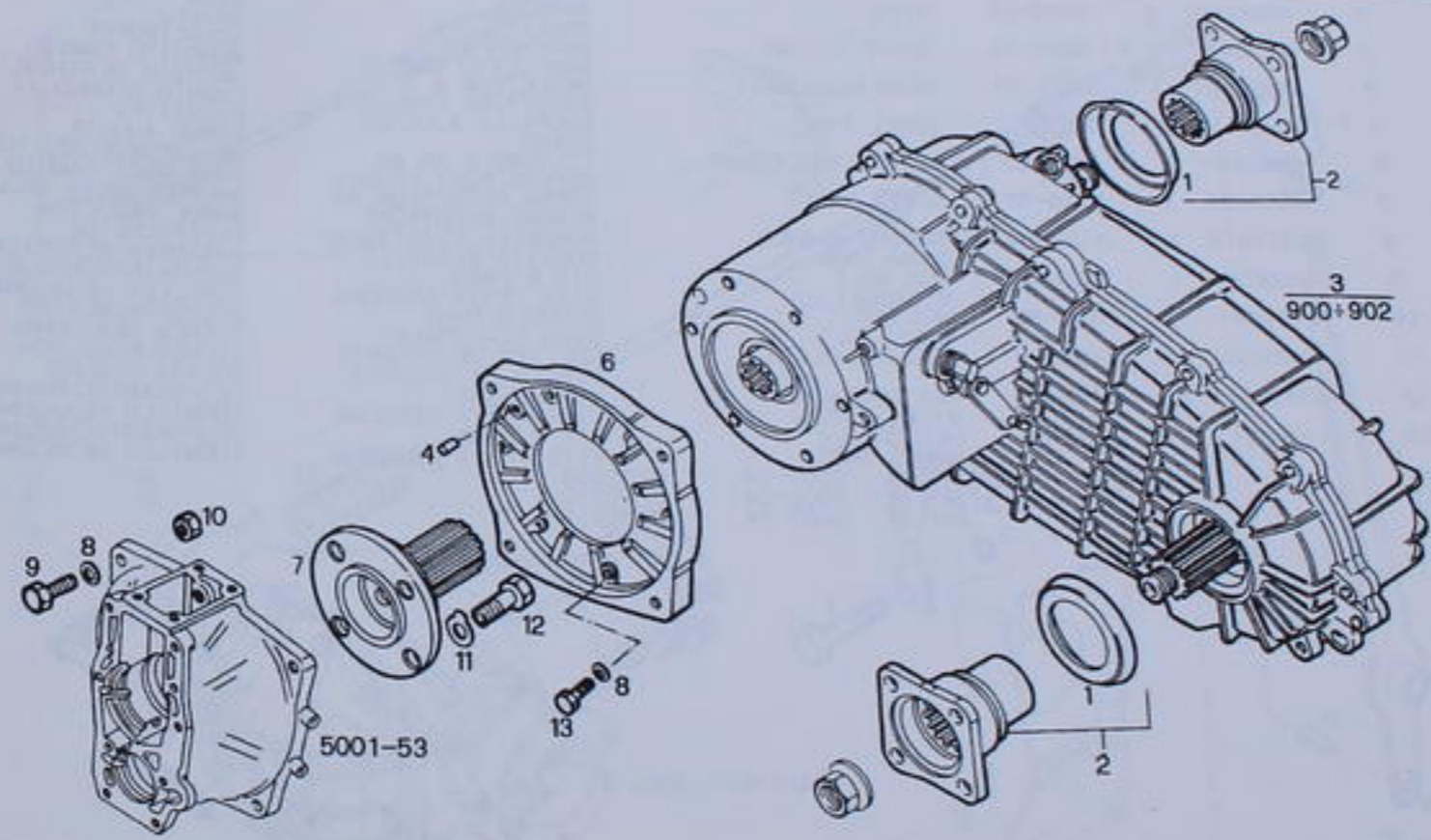
ITEM	P. NUMBER	QTY	TO-NR COD PROT	DESCRIPTION REMARK	DESIGNATION DESCRIZIONE	BENENNING DENOMINATIONES
24	8198783	1	5021-54	WORM	VIS SANS FIN TACHY	TACHOMETERSCHNECKE
25	8198784	1	5021-54	BALL	VITE S. FINE TACHIM	SINFIN TACOMETRO
26	8198785	1	5021-54	OUTPUT SHAFT	BILLE/BOULE	KUGEL
27	8198786	1	5021-54	SPLITTER GEAR	SPERA	BOLA
28	93156727	1	5021-54	SUPPORT ASSY	ARBRE DE SORTIE	ABTRIEBSWELLE
					ALBERO DI USCITA	EJE SECUNDARIO
					PIGNONS BV REDUCT.	DN. ZAHNRAED. GETR.
					ENGR. CAMBIO/RIDUTT	ENGR. REDCT. CAMBIO
					SUPPORT/APPUI	SUPPORTO
					SUPPORTO	STUETZE
						SOPORTE

IVECO

Transfer gearbox
Boîte de transfert
Verteilgetriebe
Gruppo rinvio
Caja de reenvío



5000-54 625 5313



IVECO
PARTS

DATE 20-12-90 JUDGE/PLP 5000-54

6255313

PAGE 1

DESCRIPTIONS AND REMARKS

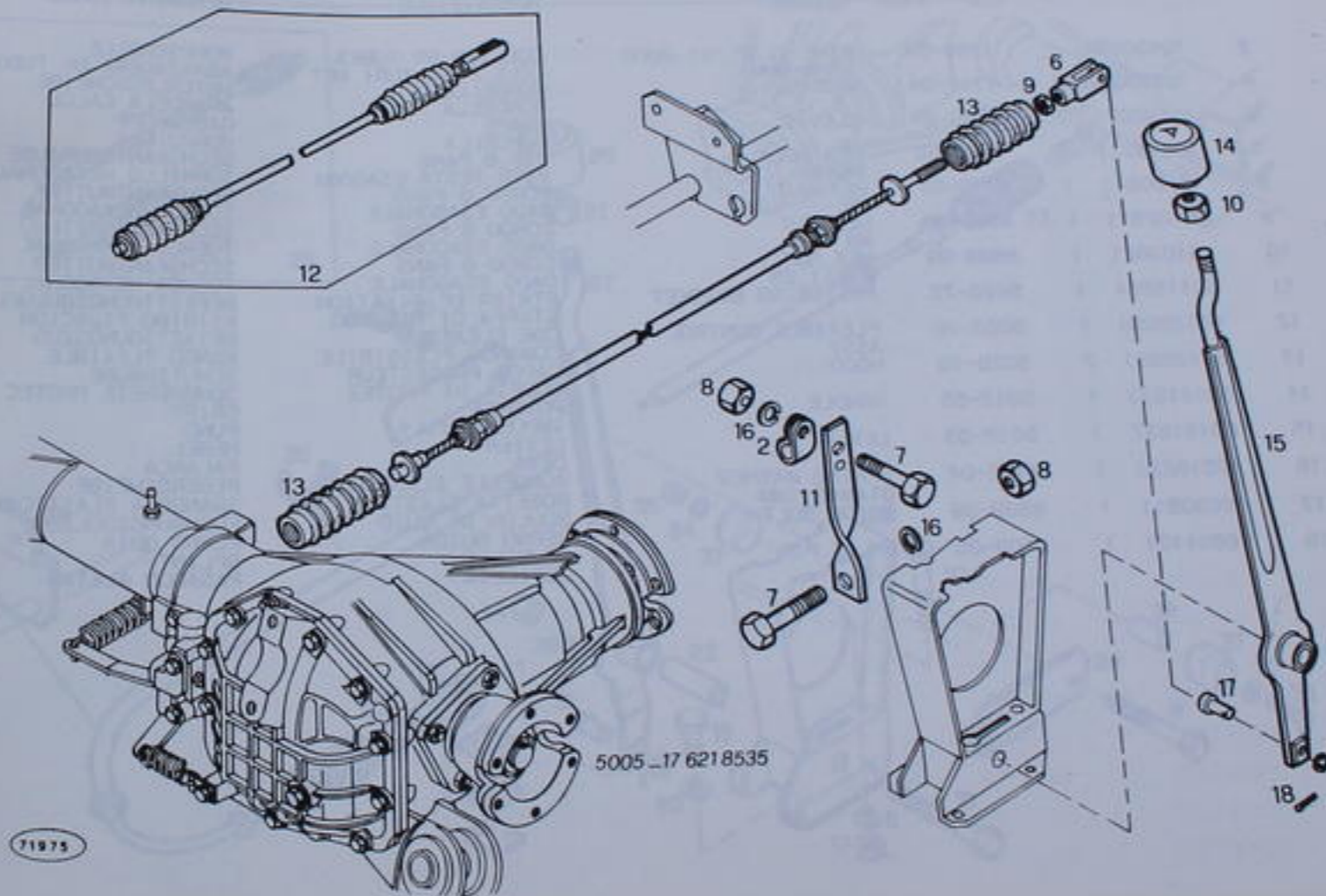
ITEM	P. NUMBER	QTY	TO-NR COD PROT	DESCRIPTION REMARK	DESIGNATION DESCRIZIONE	BENENNUNG DENOMINATIONES
1	8583112	2	5020-53	RING	ANNEAU	RING
2	8850467	2	5086-54	SHIFT SLEEVE	ANELLO MANICCHON BV	ANILLO SCHALTMUFFE
3	8850465	1	5021-54	GEAR REDUCER/1	MANICOTTO CAMBIO REDUCTEUR B.V./1	MANGUITO CAMBIO NACHSCH. GETRIEBE/1
4	8577410	1	5020-53	DOWEL PIN	RIDUTTORE CAMBIO/1 Goupille ajustee	CAMBIO SECUND./1 PASSSTIFT
6	8583600	1	5020-53	REAR G. BOX COVER	GRAND COUVERCLE AR. BV	PERNO AJUSTE GETRIEBEDECKEL H1.
7	8850403	1	5335-57	SPLIT SHAFT	COPERC. POST CAMBIO ARBRE REDUCTEUR/BV	TAPA POST CAMBIO NACHSCH. GETR. WELLE
8	10571873	1	1122-04	SPRING WASHER	ALBERO RIDUTTORE RONDELLE ELASTIQUE	ARBOL REDUCTOR FEDERSCHETBE
9	15888721	1	1101-02	DIAM=10MM HEX. BOLT	ROSETTA ELASTICA VIS 6 PANS	ARANDELA ELASTICA SECHSKANTSCHRAUBE
10	10791021	1	8899-99	M10X55X1,25 HEX. NUT	VITE TESTA ESAGONA ECROU 6 PANS	TORNILLO HEXAGONAL SECHSKANTMUTTER
11	14198900	1	8899-99	M10X1,25 LOCKING PLATE	DADO ESAGONALE COLLIER DE SECURIT	TUERCA HEXAGONAL SICHERUNGSBLECH
12	15540421	1	8899-99	HEX. BOLT M12X1,25X30	PIASTR. DI SICUREZ. VIS 6 PANS	ECLISA SEGURO SECHSKANTSCHRAUBE
13	11106621	1	0000-00	HEX. BOLT M10X1,5X35	VITE TESTA ESAGONA VIS 6 PANS	TORNILLO HEXAGONAL SECHSKANTSCHRAUBE
900	.	.	SEE PL 5001-54		6255309	
901	.	.	SEE PL 5002-54		6255310	
902	.	.	SEE PL 5003-54		6255311	

IVECO

Operation of differential lock
Commande de blocage du différentiel
Betätigung der Differential Sperre
Comando bloccaggio differenziale
Mando bloqueo del diferencial



5012-55 625 6133



71975

IVECO
PARTS

DATE 12-00

SUBGROUP 5012-55

6256134

PAGE 1

DESCRIPTIONS AND REMARKS

ITEM	P. NUMBER	QTY	TO-NR COD PROT	DESCRIPTION REMARK	DESIGNATION DESCRIZIONE	BENENNING DENOMINACIONES
1	8585196	1	5020-16	STOP PLATE	PLAQUE INTERMED.	ZWISCHENPLATTE
2	8585197	2	5020-16	SLIDING PAD	MOSTRINA	PLACA INTERMEDIA
3	8585278	2	5020-16	GASKET	PIECE A COULISSE	GLEITSTUECK
5	10519401	1	1110-04	WASHER DIAM=6X12MM	BLOCCETTO DI SCOR	PZA DESLIZAMIENTO
6	10571574	1	8899-99	SPRING WASHER DIAM=6MM	JOINT	DICHTUNG
7	10730301	1	1112-04	WASHER B. 15	GUARNIZIONE	JUNTA
9	10901921	1	0000-00	HEX. BOLT M6X1X70	RONDELLE	UNTERLEGSCHIEBE
10	10903030	1	8899-99	HEX. BOLT M6X35	RONDELLE	ARANDELA CALCE
13	11992071	1	8899-99	CLEVIS	RONDELLE ELASTIQUE	FEDERSCHIEBE
14	12574511	1	8899-99	HEX. NUT M10	ROSETTA ELASTICA	ARANDELA ELASTICA
16	14054511	1	1140-03	HEX. NUT M 6X1	RONDELLE	UNTERLEGSCHIEBE
17	15896211	1	1110-03	HEX. NUT M5	ROSETTA ELASTICA	ARANDELA ELASTICA
18	15971321	1	8820-01	HEX. BOLT M 10X1,25X75	RONDELLE	UNTERLEGSCHIEBE
19	16043321	1	8899-99	HEX. BOLT M6X18	ROSETTA ELASTICA	ARANDELA ELASTICA
20	16102911	1	8899-99	HEX. NUT M8	RONDELLE	UNTERLEGSCHIEBE
21	16103621	1	8899-99	HEX. NUT M12X1,25	ROSETTA ELASTICA	ARANDELA ELASTICA
22	60135949	1	5020-16	SPACING BAR	ROSETTA ELASTICA	ARANDELA ELASTICA
23	60135951	2	5020-16	HOOD	ROSETTA ELASTICA	ARANDELA ELASTICA
24	60136057	2	5020-16	PLATE	ROSETTA ELASTICA	ARANDELA ELASTICA
25	60141829	1	5012-55	SUPPORT LEFT	ROSETTA ELASTICA	ARANDELA ELASTICA
26	60141832	1	5012-55	HANDLE	ROSETTA ELASTICA	ARANDELA ELASTICA
27	60141838	1	5012-55	LEVER	ROSETTA ELASTICA	ARANDELA ELASTICA
28	60141903	1	5012-55	SUPPORT	ROSETTA ELASTICA	ARANDELA ELASTICA

IVECO
PARTS

DATE 12-00

SUBGROUP 5012-55

6256134

PAGE 2

DESCRIPTIONS AND REMARKS

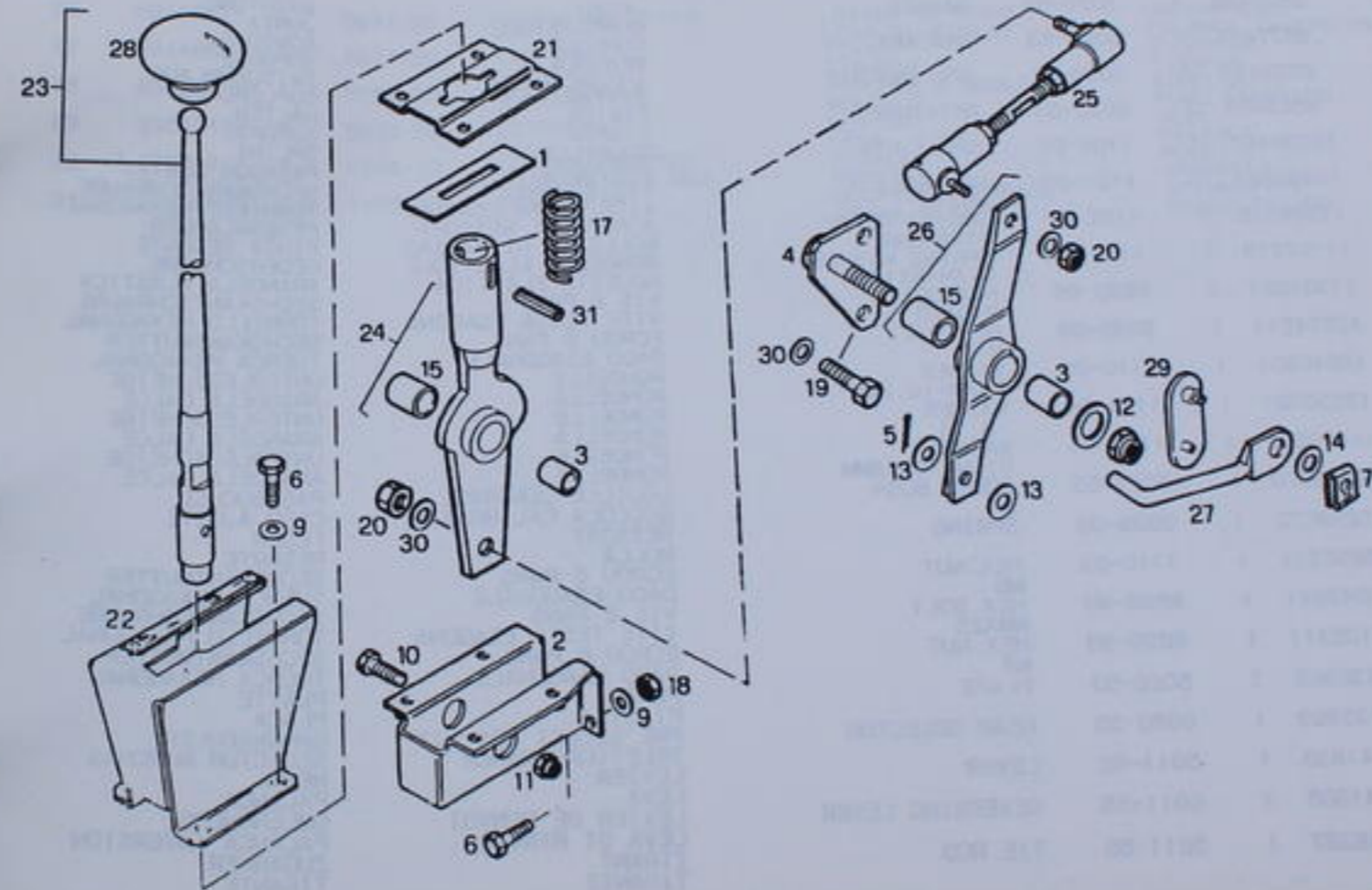
ITEM	P. NUMBER	QTY	TO-NR COD PROT	DESCRIPTION REMARK	DESIGNATION DESCRIZIONE	BENENNING DENOMINACIONES
29	60141911	1	5012-55	FLEXIBLE CONTROL ASSY	CDE FLEXIBLE	BETAETIGUNGSZUG
30	11194379	1	8899-99	SPRING WASHER DIAM=6X12MM	COMANDO FLESSIBILE	MANDO FLEXIBILE
31	10050811	1	8899-99	GUIDE BOLT	ROSETTA ELASTICA	FEDERSCHIEBE
32	10571479	1	8899-99	SPRING WASHER DIAM=6MM	ROSETTA ELASTICA	ARANDELA ELASTICA
33	10978111	1	0000-00	HEX. BOLT	ROSETTA ELASTICA	ARANDELA ELASTICA
34	14496309	1	8899-99	WASHER	ROSETTA ELASTICA	ARANDELA ELASTICA
35	15896411	1	1110-03	HEX. NUT M5	ROSETTA ELASTICA	ARANDELA ELASTICA
36	41800381	3	8976-72	CABLE STRAP L=375MM	ROSETTA ELASTICA	ARANDELA ELASTICA
37	60154312	2	5000-55	RUBBER LUG	ROSETTA ELASTICA	ARANDELA ELASTICA
38	60154313	1	5000-55	SPACING BAR	ROSETTA ELASTICA	ARANDELA ELASTICA
39	16854101	1	1105-06	SPLIT PIN	ROSETTA ELASTICA	ARANDELA ELASTICA
40	17089474	1	1104-20	COLLAR/ROSETTE DIAM=8X16X1,4MM	ROSETTA ELASTICA	ARANDELA ELASTICA

IVECO

Transfer Case Controls
Commande boîte de transfert
Vorgelege-Schaltung
Comando gruppo rinvio
Mando caja de reenvío



5011-55 625 6213



IVECO
PARTS

DATE 2012-90 SUBGROUP 5011-55

6256213

PAGE 1

DESCRIPTIONS AND REMARKS

ITEM	P. NUMBER	QTY	TO-NR COD PROT	DESCRIPTION REMARK	DESIGNATION DESCRIZIONE	BENENNUNG DENOMINACIONES
1	8577446	1	5020-53	GASKET	JOINT GUARNIZIONE	DICHTUNG JUNTA
2	8577447	1	5020-53	BRACKET	CONSOLE	KONSOLE
3	8577449	2	5020-53	SPACING BAR	MENSOLA INTERCALAIRE	SOPORTE ZWISCHENLAGE
4	8583809	1	5020-53	RETAINER	DISTANZIALE STRIER	SUPLEMENTO HALTER
5	10796401	1	1105-06	SPLIT PIN	STAFFA GOUPILLE	SOPORTE SPLINT
6	10902221	1	1101-02	HEX BOLT	COPIGLIA VIS 6 PANS	PASADOR ALETAS SECHSKANTSCHRAUBE
7	11064076	1	1152-06	SPRING CLAMP	VITE TESTA ESAGONA AGRAFE DE RESSORT	TORNILLO HEXAGONAL FEDERKLAMMER
9	11197779	1	1120-04	SPRING WASHER	MOLLETTA DI FISSAG RONDELLE ELASTIQUE	PINZA RESORTE FEDERSCHIEBE
10	11307021	1	8899-99	HEX BOLT	ROSETTA ELASTICA ROSETTA ELASTICA	ARANDELA ELASTICA SECHSKANTSCHRAUBE
11	12574511	1	8899-99	HEX NUT	VIS 6 PANS VITE TESTA ESAGONA	TORNILLO HEXAGONAL SECHSKANTMUTTER
12	12646801	1	1110-04	WASHER	ECROU 6 PANS DADO ESAGONALE	TUERCA HEXAGONAL UNTERLEGSCHIEBE
13	13550301	1	1111-04	WASHER	RONDELLE RONDELLE	ARANDELA CALCE UNTERLEGSCHIEBE
14	14499501	1	1111-04	WASHER	RONDELLE RONDELLE	ARANDELA CALCE UNTERLEGSCHIEBE
15	14548570	1	5011-55	DOWEL BUSH	RONDELLE DOUILLE CENTRAGE	ARANDELA CALCE PASSBUCHSE
17	15259572	1	8899-99	SPRING	BOCCOLA CALIBRATA RESSORT	CASO AJUSTE FEDER
18	15896211	1	1110-03	HEX NUT	MOLLA	RESORTE
19	16043611	1	8899-99	HEX BOLT	ECROU 6 PANS DADO ESAGONALE	SECHSKANTMUTTER TUERCA HEXAGONAL
20	16102311	1	8899-99	HEX NUT	VIS 6 PANS VITE TESTA ESAGONA	SECHSKANTSCHRAUBE TORNILLO HEXAGONAL
21	60135965	1	5020-53	MB PLATE	ECROU 6 PANS DADO ESAGONALE	SECHSKANTMUTTER TUERCA HEXAGONAL
22	60135969	1	5020-55	GEAR SELECTOR	PLAQUE PIASTRA	PLATTE PLACA
23	60141835	1	5011-55	LEVER	PRE SELECT DES VIT SELETTORE MARCE	GANGWAehler SELECTOR MARCHAS
24	60141906	1	5011-55	REVERSING LEVER	LEVIER LEVIER DE RENVOI	HEBEL PALANCA
25	60148387	1	5011-55	TIE ROD	LEVA DI RINVIO TIRANT TIRANTE	UMLENKHEBEL PALANCA INVERSION ZUGANKER TIRANTE

IVECO
PARTS

DATE 2012-90 SUBGROUP 5011-55

6256213

PAGE 2

DESCRIPTIONS AND REMARKS

ITEM	P. NUMBER	QTY	TO-NR COD PROT	DESCRIPTION REMARK	DESIGNATION DESCRIZIONE	BENENNUNG DENOMINACIONES
26	60148621	1	5011-55	REVERSING LEVER	LEVIER DE RENVOI LEVA DI RINVIO	UMLENKHEBEL PALANCA INVERSION
27	60148623	1	5011-55	TIE ROD	TIRANT TIRANTE	ZUGANKER TIRANTE
28	93809965	1	5050-36	BALL HANDLE	POIGNEE A BOULE POMELLO	KUGELGRIFF PUNO ESFERICO
29	93810107	1	5033-50	LEVER	LEVIER LEVA	HEBEL PALANCA
30	17089474	1	1104-20	COLLAR/ROSETTE	ROSACE ROSETTA	ROSETTE ARANDELA
31	17255970	1	1106-13	DOWEL PIN	GOUPILLE SERRAGE SPINA ELASTICA	SPANSTIFT PERNO FIADOR

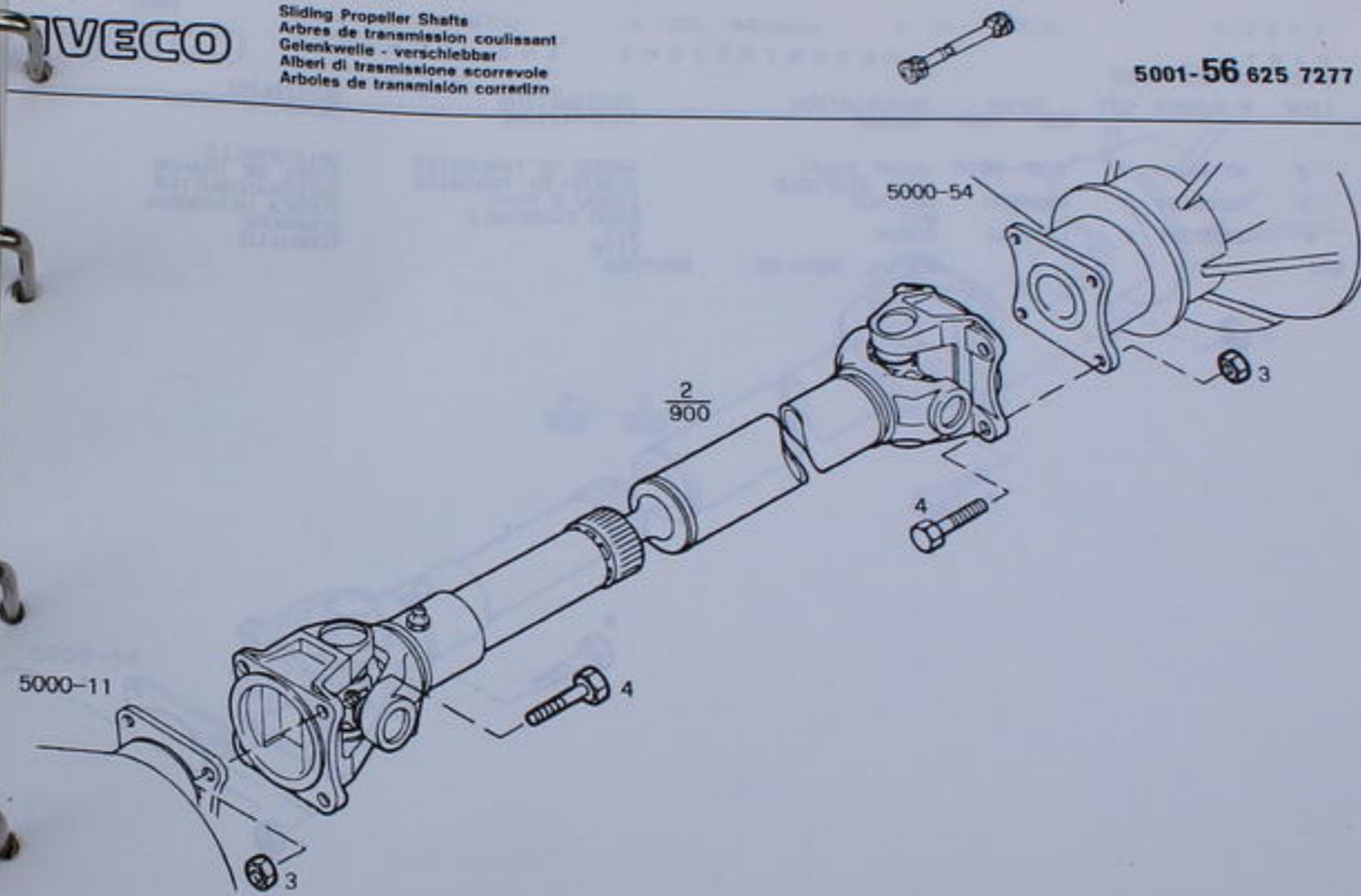
ITEM	P. NUMBER	QTY	TO-NR COD PROT	DESCRIPTION REMARK	DESIGNATION DESCRIZIONE	BENENNING DENOMINACIONES
1	4309331	5	5516-34	BUSH	DOUILLE	BUCHSE
2	8576824	1	5020-55	LEVER KNOB	BOCCOLA	CASQUILLO
3	8583607	1	5020-53	THREADED UNION	POMMEAU LEVIER	SCHALTHEBELKNOPF
4	8583608	1	5020-53	THRUST ROD	POMELLO LEVA CAMB.	BOTON PALCA CAMBIO
5	8835590	1	5020-53	ROD	RACCORD VISSE	VERSCHRAUBUNG
6	8856935	2	5020-53	CAP	RACCORDO FILETT.	UNION ROSC P/TUBO
7	8857228	2	5020-53	PAWL	BRAS DE LEVIER	DRUCKSTANGE
8	8858005	1	5020-53	BREATHER	PUNTALE	VARILLA PRESSION
9	8858080	2	5339-22	GASKET	TIGE	STANGE
10	8858489	1	5321-50	SPRING	ASTA	BARRA
11	8858490	1	5522-34	CAP	CUVETTE	TELLER
12	8858493	2	1269-72	WASHER	SCODELLINO	PLATO RESORTE
13	8858501	1	1106-43	DIAM=20X27X1.5 SPRING LOCKWASHER	CLIQUET	KLINKE
14	8858515	1	5355-29	SUPPORT	NOTTOLINO	SEGURO
15	8858879	1	1106-43	CENTERING RING	RENIFLARD	ENTLUEFTER
16	8858881	1	5322-59	UNION NUT	SFIATATOIO	PURGA AIRE
17	8858885	1	1269-72	BUSH	JOINT	DICHTUNG
18	8858972	1	5050-30	HOOD	GUARNIZIONE	UNTA
19	8859291	1	5322-27	GEARSHIFT LEVER	RESSORT	FEDER
20	8859355	1	5322-59	THREADED PIN	MOLLA	RESORTE
21	8859356	1	5322-59	UNION NUT	CUVETTE	TELLER
22	8859413	1	5321-50	SPRING	SCODELLINO	PLATO RESORTE
23	8859497	1	5321-50	SPRING	RONDELLE	UNTERLEGSCHLEIBE

ITEM	P. NUMBER	QTY	TO-NR COD PROT	DESCRIPTION REMARK	DESIGNATION DESCRIZIONE	BENENNING DENOMINACIONES
24	10257460	1	1107-48	SEAL GASKET	JOINT ETANCHEITE	ABDICHTUNG
25	10279360	1	1148-07	SEAL GASKET	GUARNIZIONE TENUTA	HERMETIZACION
26	12601379	1	1129-04	SPRING WASHER	JOINT ETANCHEITE	ABDICHTUNG
27	15254672	1	5020-53	DIAM=8,3MM SPRING	GUARNIZIONE TENUTA	HERMETIZACION
28	15662101	1	8899-99	CUTTING SCREW	RONDELLE ELASTIQUE	FEDERSCHLEIBE
31	93911172	1	5020-55	HOOD	ROSETTA ELASTICA	ARANDELA ELASTICA
32	16043621	1	8899-99	HEX BOLT	RESSORT	FEDER
33	16043424	1	8899-99	HEX BOLT MBX20	MOLLA	RESORTE

IVECO

Sliding Propeller Shafts
Arbres de transmission coulissant
Gelenkwelle - verschiebbar
Alberi di trasmissione scorrevole
Arboles de transmisión corrediza

5001-56 625 7277



IVECO
PARTS

DATE 11-12-00 SUBGROUP 5001-56 625727
DESCRIPTIONS AND REMARKS

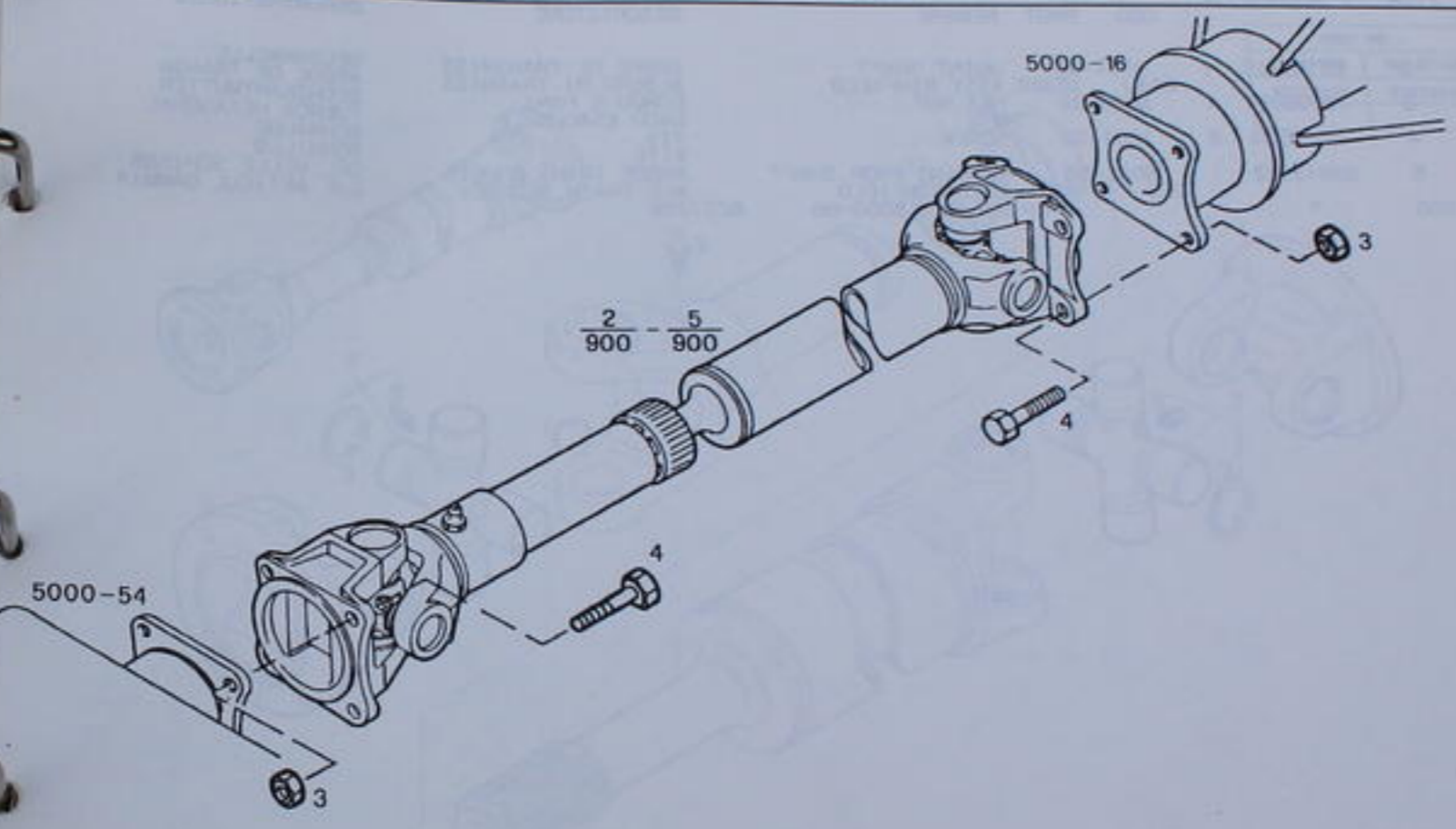
PAGE 1

ITEM	P. NUMBER	QTY	TO-NR COD PROT	DESCRIPTION REMARK	DESIGNATION DESCRIZIONE	BENENNING DENOMINACIONES
2	60147124	1	5001-56	JOINT SHAFT	ARBRE DE TRANSMISS	GELENKWELLE
3	15506221	1	8899-99	ASSY BIRFIELD HEX NUT	ALBERO DI TRASMISS ECROU 6 PANS	ARBOL DE TRANSM SECHSKANTMUTTER
4	8600231	8	1201-03	M12 SCREW	DADO ESAGONALE VIS	TUERCA HEXAGONAL SCHRAUBE
900	*			SEE PL 5050-56	VITE	TORNILLO

IVECO

Sliding Propeller Shafts
Arbres de transmission coulissant
Gelenkwelle - verschiebbar
Alberi di trasmissione scorrevole
Arboles de transmisión corredizo

5001-56 625 7278



IVECO DATE 20-12-90 SUBGROUP 5001-56 6257278
 PARTS DESCRIPTIONS AND REMARKS

PAGE 1

ITEM	P. NUMBER	QTY	TO-NR COD PROT	DESCRIPTION REMARK	DESIGNATION DESCRIZIONE	BENENNING DENOMINATIONS
2	60147125	1	5001-56	JOINT SHAFT	ARBRE DE TRANSMISS	GELENKWELLE
3	15506221	1	ESAU 12322	ASSY BIRFIELD	ALBERO DI TRASMISS	ARBOL DE TRANSM.
4	8600231	8	8899-99	HEX. NUT M12	ECROU 6 PANS DADO ESAGONALE	SECHSKANTMUTTER TUERCA HEXAGONAL
5	93813122	1	1201-03	SCREW	VITE	SCHRAUBE
900	*	*	5002-56	SLIDING PROP SHAFT	ARBRE TRANS COULIS	GEL WELLE SCHIEBB
			DES 12322	ASSY BIRFIELD	ALB. TRASM. SCORREV.	EJE ARTICUL. GAMBIA
				SEE PL 5050-56	6257286	

IVECO

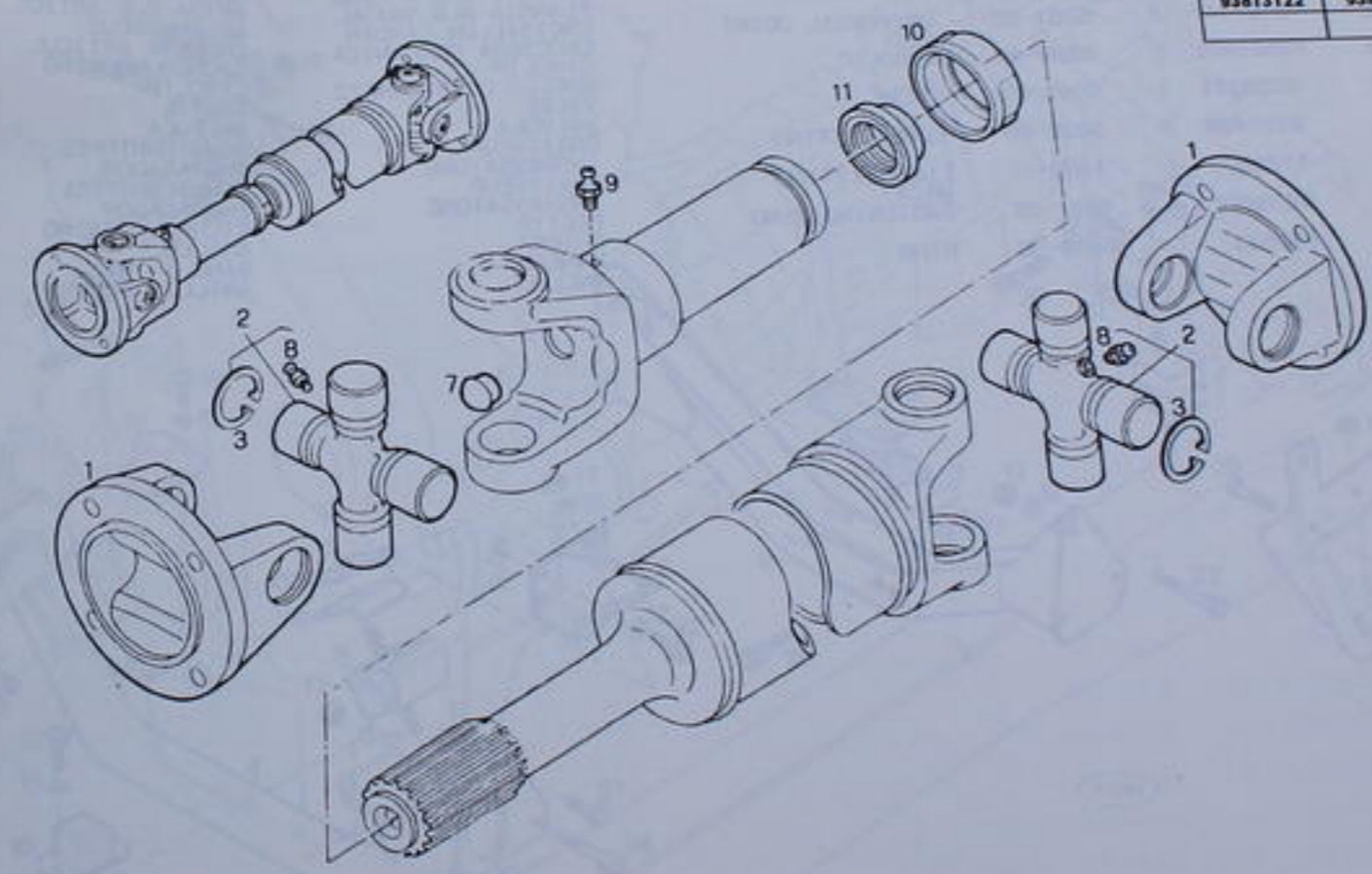
Propeller Shafts
 Arbres de transmission
 Gelenkwellen
 Alberi di trasmissione
 Arboles de transmisión

Components
 Pièces
 Teile
 Parti
 Piezas



5050-56 625 7286

ASSY NR. *	
60147124	60147125
93813122	93814143



IVECO
PARTS

DATE 10-12-90

SUBGROUP 5050-56

6257286

PAGE 1

DESCRIPTIONS AND REMARKS

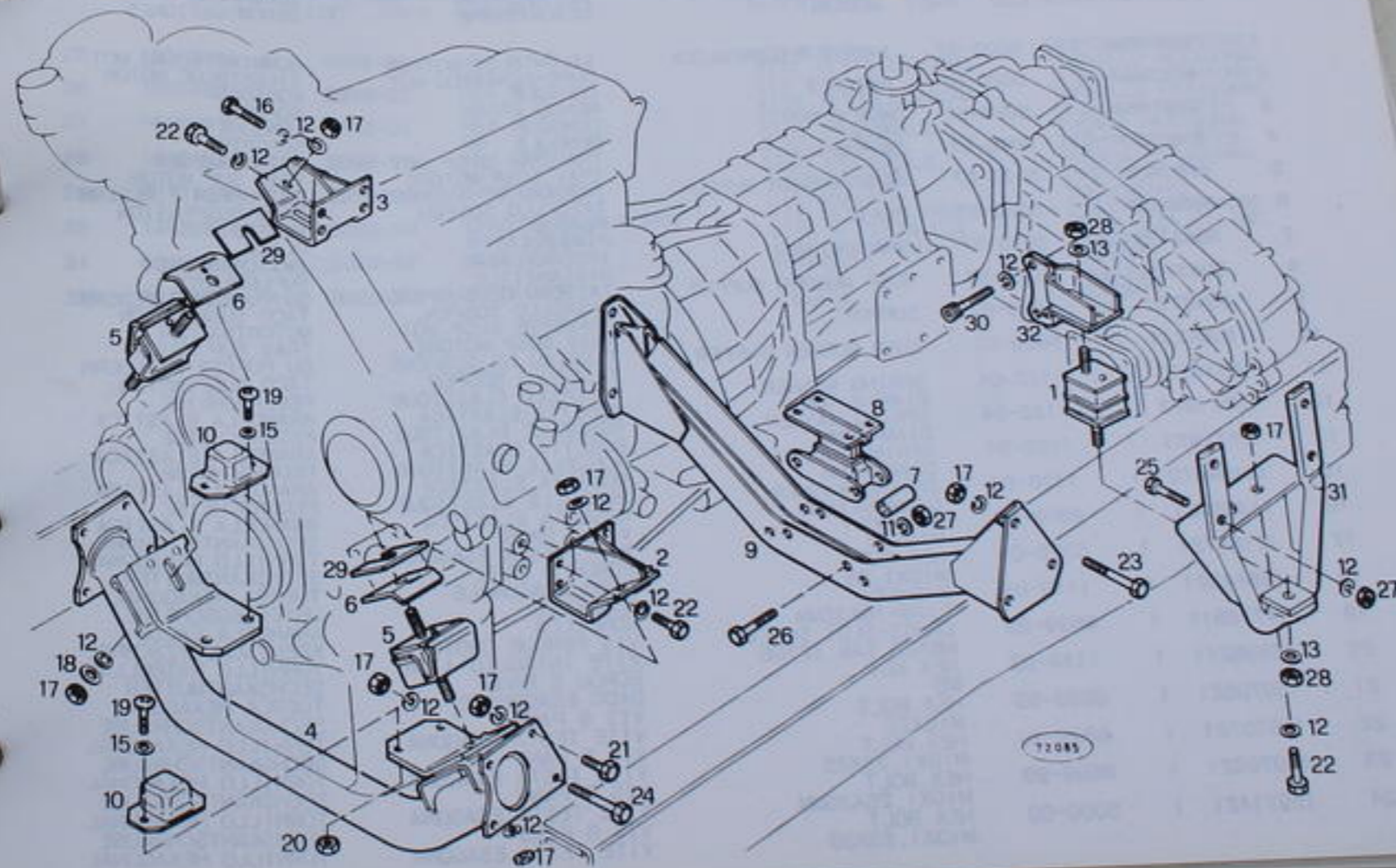
ITEM	P. NUMBER	QTY	TO-NR COD PROT	DESCRIPTION REMARK	DESIGNATION DESCRIZIONE	BENENNUNG DENOMINATIONES
1	8197740	2	5051-56	JOINT SHAFT FLANGE	BRIDE D'ARB A CARD FLANGIA ALB TRASM.	GELENKWELL-FLANSCH BRIDA EJE ARTIC.
2	8197741	2	5051-56	UNIVERSAL JOINT ASSY	CROISILLON CARDAN CROCIERA CARDANICA	GELENKKREUZ CRUCETA ARTICUL.
3	79061905	8	8899-99	CIRCLIP	CIRCLIP	SICHERUNGSRING CIRCLIP
7	9928014	1	0000-00	VALVE	ANELLO DI SICUREZZA VALVE	VENTIL VALVOLA
8	8120468	2	5020-56	LUBE FITTING	VALVOLA GRAISSEUR	SCHMIERNIPPEL ENGRASADOR
9	1120694	1	1169-47	LUBE FITTING MIX1	INGRASSATORE GRAISSEUR	SCHMIERNIPPEL ENGRASADOR
10	9936262	1	5051-56	FASTENING RING	INGRASSATORE FRETTE	SICHERUNGSRING ANILLO
11	9936263	1	5051-56	RING	GHIERA ANNEAU	RING ANILLO

IVECO

Engine suspension
Suspension du moteur
Motoraufhängung
Suspensione motore
Suspensión del motor



5000-57 625 8743



PAGE 1

IVECO DATE 12-00 SUBGROUP 5000-57 6258743
PARTS DESCRIPTIONS AND REMARKS

ITEM	P. NUMBER	QTY	TO-NR COD PROT	DESCRIPTION REMARK	DESIGNATION DESCRIZIONE	BENENNING DENOMINAZIONE
1	8573558	1	5000-57	ENGINE SILENTBLOCK	SILENTBLOC MOTEUR SUPP-ELASTICO MOT.	GUMMI METALLAG. MOT SILENTBLOC MOTOR
2	8583166	1	5020-57	BRACKET LEFT	CONSOLA MENSOLA	KONSOLE SOPORTE
3	8583168	1	5020-57	BRACKET RIGHT	CONSOLA MENSOLA	KONSOLE SOPORTE
4	8583207	1	5020-57	SUPPORT	TRAVERSE SUSP. MOT. TRAV. SOSP. MOTORE	MOTORTRAEGER TRAV. SUP. MOTOR
5	8583425	2	5020-57	SUSP. RUBBER BUFFER	TASSEAU DE SUSPENS TASSELLO SOSPEN.	GU PUFFER F. FEDERN TACO SUSPENSION
6	8583463	2	5020-57	PLATE	PLAQUE	PLATTE
7	8583779	2	5020-57	SPACING BAR	PIASTRA INTERCALAIRE	ZWISCHENLAGE SUPLEMENTO
8	8583781	1	5020-57	SUSP. RUBBER BUFFER	DISTANZIALE	GU PUFFER F. FEDERN
9	8583791	1	5020-57	SUPPORT	TASSEAU DE SUSPENS TASSELLO SOSPEN.	TACO SUSPENSION MOTORTRAEGER
10	8584214	2	5020-57	SUSP. RUBBER BUFFER	TRAVERSE SUSP. MOT. TRAV. SOSP. MOTORE	TRAV. SUP. MOTOR GU PUFFER F. FEDERN
11	10516673	1	1122-04	SPRING WASHER DIAM=8, 1MM	TASSEAU DE SUSPENS TASSELLO SOSPEN.	TACO SUSPENSION FEDERSCHLEIBE
12	10571873	1	1122-04	SPRING WASHER DIAM=10MM	RODELLE ELASTIQUE ROSETTA ELASTICA	ARANDELA ELASTICA FEDERSCHLEIBE
13	10571973	1	1122-04	SPRING WASHER DIAM=12MM	RODELLE ELASTIQUE ROSETTA ELASTICA	ARANDELA ELASTICA FEDERSCHLEIBE
15	11194679	1	1120-04	SPRING WASHER DIAM=6X15MM	RODELLE ELASTIQUE ROSETTA ELASTICA	ARANDELA ELASTICA FEDERSCHLEIBE
16	11306921	1	8899-99	HEX. BOLT M10X30	ROSETTA ELASTICA	ARANDELA ELASTICA
17	12164721	1	5376-01	HEX. NUT M10X1, 25	VITE TESTA ESAGONA	SECHSKANTSCHRAUBE
18	12644321	1	1110-04	WASHER DIAM=10X35MM	ECROU 6 PANS	SECHSKANTMUTTER
19	14778911	1	8899-99	CROSS-SLOT SCREW M6X22 TAB. 12706	DADO ESAGONALE	TUERCA HEXAGONAL
20	15896211	1	1110-03	HEX. NUT M6	RODELLE	UNTERLEGSCHLEIBE
21	15970621	1	8899-99	HEX. BOLT M10X22	VIS FENDUE CROIX VITE INTAGLIO A CR	ARANDELA CALCE KREUZSCHLITZSCHRB.
22	15970721	1	8899-99	HEX. BOLT M10X1, 25X25	ECROU 6 PANS	TORNILLO ESTRELLA
23	15970921	1	8899-99	HEX. BOLT M10X1, 25X35MM	DADO ESAGONALE	SECHSKANTMUTTER
24	15971421	1	5000-00	HEX. BOLT M10X1, 25X80	VITE TESTA ESAGONA VIS 6 PANS	TUERCA HEXAGONAL SECHSKANTSCHRAUBE
					VITE TESTA ESAGONA VIS 6 PANS	TORNILLO HEXAGONAL SECHSKANTSCHRAUBE
					VITE TESTA ESAGONA VIS 6 PANS	TORNILLO HEXAGONAL SECHSKANTSCHRAUBE

PAGE 2

IVECO DATE 12-00 SUBGROUP 5000-57 6258743
PARTS DESCRIPTIONS AND REMARKS

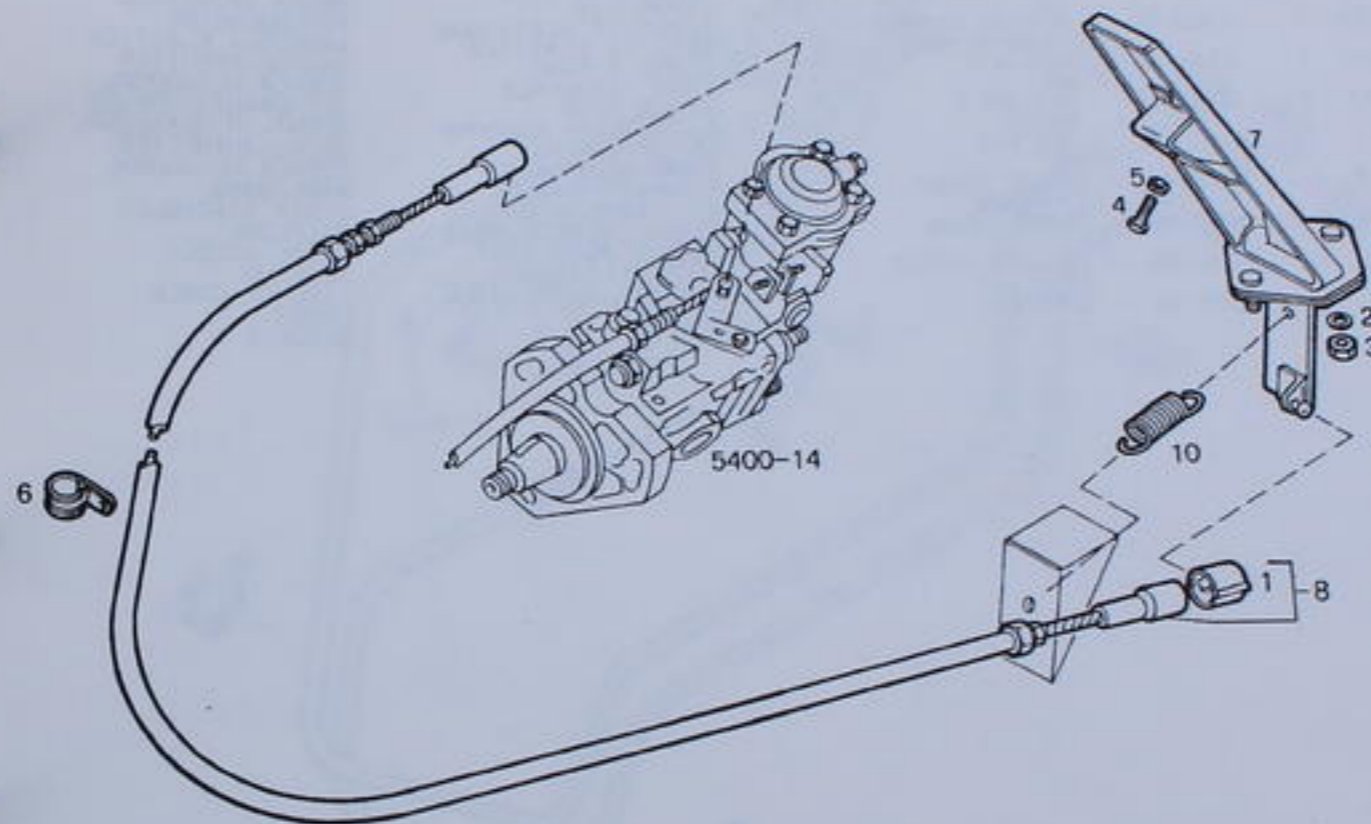
ITEM	P. NUMBER	QTY	TO-NR COD PROT	DESCRIPTION REMARK	DESIGNATION DESCRIZIONE	BENENNING DENOMINAZIONE
25	16043621	1	8899-99	HEX. BOLT MBX25	VIS 6 PANS	SECHSKANTSCHRAUBE
26	16044821	1	8899-99	HEX. BOLT MBX80	VITE TESTA ESAGONA	TORNILLO HEXAGONAL
27	16100811	1	1110-03	HEX. NUT M8	VITE TESTA ESAGONA	TORNILLO HEXAGONAL
28	16101521	1	8899-99	HEX. NUT M12	ECROU 6 PANS	SECHSKANTMUTTER
29	60137395	2	5020-01	SPACING BAR	DADO ESAGONALE	TUERCA HEXAGONAL
30	14420524	1	8899-99	CHEESE-HEAD SCREW M10X1, 5X45	ECROU 6 PANS	SECHSKANTMUTTER
31	60158716	1	5020-57	SUPPORT	DADO ESAGONALE	TUERCA HEXAGONAL
32	60158721	1	5020-57	RETAINER	INTERCALAIRE DISTANZIALE	ZWISCHENLAGE SUPLEMENTO
					VIS TETE CYLINDR. VITE A TESTA CIL.	ZYLINDERSCHRAUBE
					SUPPORT/APPUI	TORN. CBZA. CILIND.
					ETRIER	STUETZE
					STAFFA	HALTER
						SOPORTE

IVECO

Foot Accelerator Drive
Commande du pédale d'accélérateur
Gaspedalbetätigung
Comando acceleratore a pedale
Accionamiento pedal-acelerador



5000-59 625 9622



IVECO

DATE 12-00

SUBGROUP 5000-59

6259622

PAGE 1

PARTS

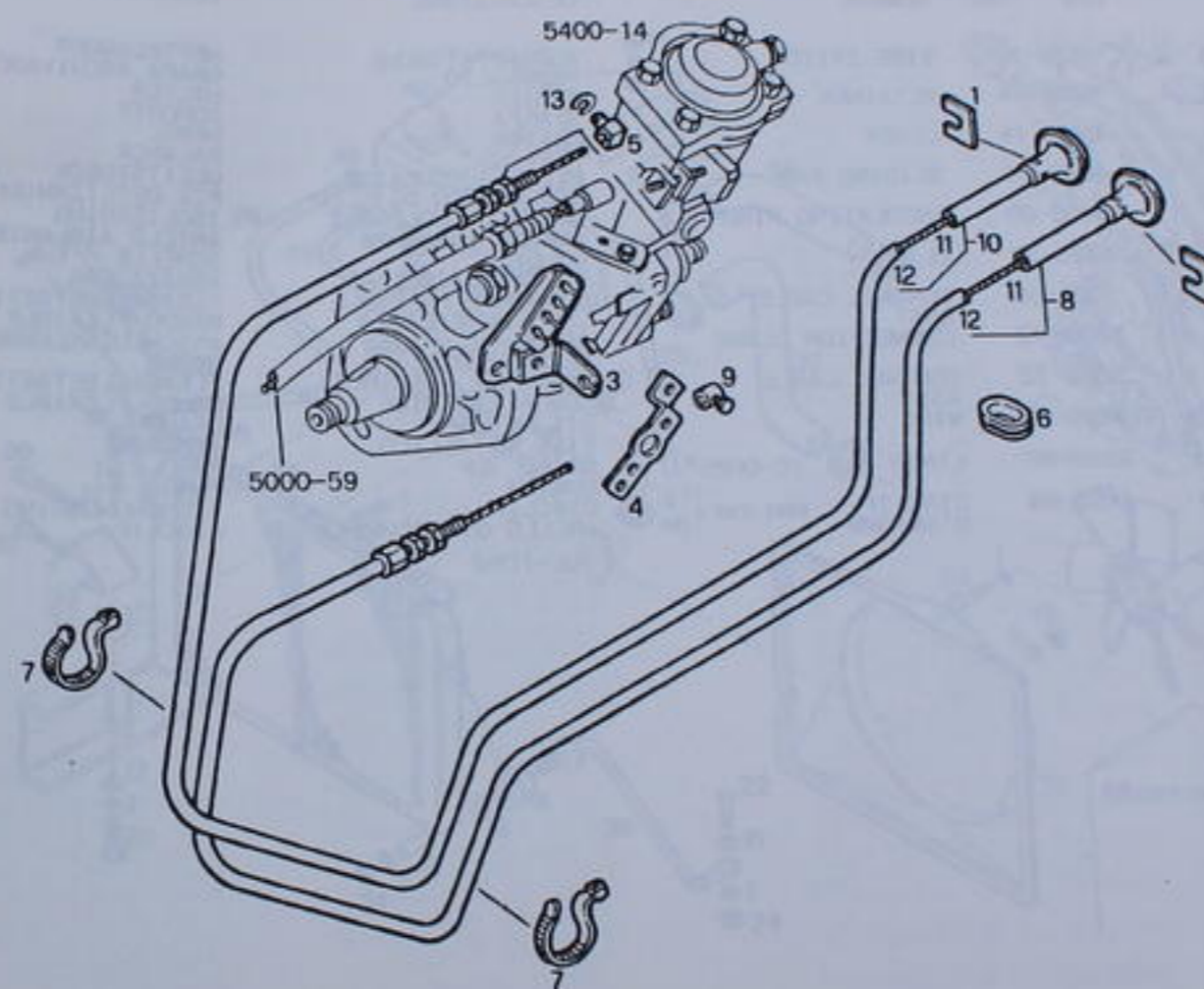
DESCRIPTIONS AND REMARKS

ITEM	P. NUMBER	QTY	TO-NR COD PROT	DESCRIPTION REMARK	DESIGNATION DESCRIZIONE	BENENNING DENOMINACIONES
1	10124776	1	1133-31	WIRE STITCH	AGRAFE/ATTACHE FERMAGLIO	HEFTKLAMMER GRAPA ARCHIVADO
2	11194679	1	1120-04	SPRING WASHER DIAM-6X15MM	ROSETTE ELASTIQUE	FEDERSCHIBE ARANDELA ELASTICA
3	15896211	1	1110-03	HEX. NUT M6	ECROU 6 PANS	SECHSKANTMUTTER TUERCA HEXAGONAL
4	16043621	1	8899-99	HEX. BOLT MBX25	DADO ESAGONALE VIS 6 PANS	SECHSKANTSCHRAUBE TORNILLO HEXAGONAL
5	16100811	1	1110-03	HEX. NUT M8	VITE TESTA ESAGONA ECROU 6 PANS	TORNILLO HEXAGONAL TUERCA HEXAGONAL
6	41801117	1	8976-72	CABLE STRAP L=175MM	DADO ESAGONALE RUBAN PR CABLE	KABEL BAND CINTA ATACABLES
7	60139143	1	5000-59	SPEED PEDAL	NASTRO SERR CAVI PEDALE D'ACCELERAT	GASPEDAL PEDAL ACCEL.
8	93802790	1	5020-59	CONTROL CABLE ASSY	PEDALE ACCELERAT CABLE FLEXIBLE	SEILZUG TIRO DE CABLE
10	60163826	1	1223-10	SPRING	TIRANTE FLESSIBILE RESSORT	FEDER RESORTE

IVECO

Hand Accelerator Drive
Commande d'accélérateur à main
Handgasbetätigung
Comando acceleratore a mano
Accionamiento manual del acelerador

5001-59 625 9681



IVECO

DATE -12-90

SUBGROUP 5001-59

6259681

PAGE 1

PARTS

DESCRIPTIONS AND REMARKS

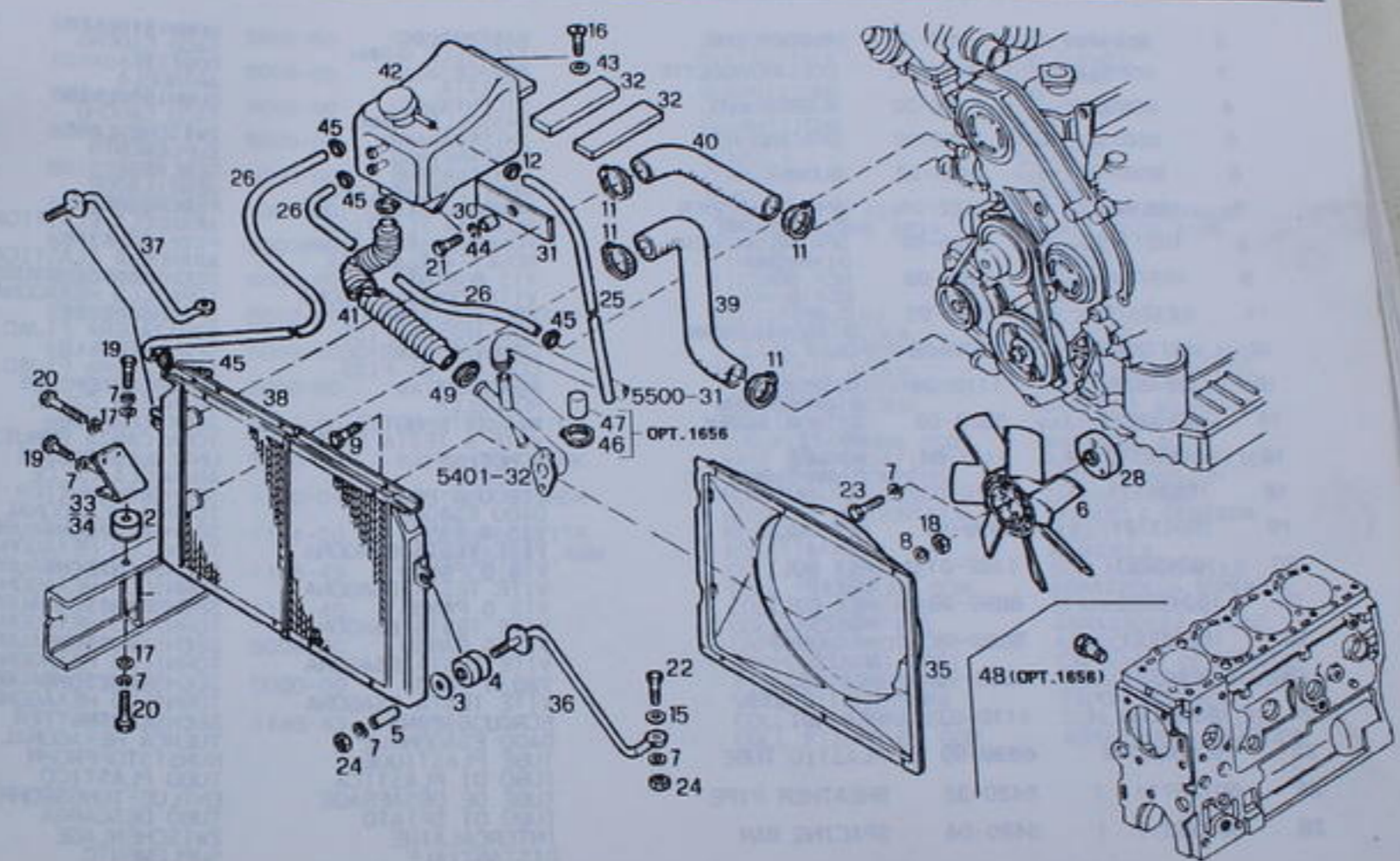
BENENNING DENOMINATIONES

ITEM	P. NUMBER	QTY	TO-NR COD PROT	DESCRIPTION REMARK	DESIGNATION DESCRIZIONE	BENENNING DENOMINATIONES
1	880673	2	5020-72	WIRE STITCH	AGRAFE/ATTACHE FERMAGLIO	HEFTKLAMMER GRAPA ARCHIVADO
3	4837182	1	5403-14	RETAINER	ETRIER STAFFA	HALTER SOPORTE
4	4837183	1	5403-14	LEVER	LEVIA LEVIER	HEBEL PALANCA
5	8564940	1	0000-00	SLIDING PAD	PIECE A COULISSE BLOCCETTO DI SCOR	GLEITSTUECK PIZA DESLIZAMIENTO
6	10397280	1	5000-00	INSULATING RING	BAGUE D'ISOLEMENT ANELLO ISOLANTE	ISOLIERRING ANILLO AISLAMIENTO
7	14567680	1	5020-57	CLIP	COLLIER FASCETTA/COLLARE	SCHELLE ABRAZADERA
8	60152734	1	5001-59	CONTROL CABLE ASSY	COMMANDE FLEXIBLE COM FLESSIBILE	FLEXBALLBETAETIG. FLEXBALLBETAETIG.
9	93800383	1	5020-72	CONNECTION CLAMP	SERRE-FIL SERRAFILO	ANSCHLUSSKLEMME BORNE
10	93803173	1	5020-72	CONTROL CABLE ASSY	COMMANDE FLEXIBLE COM FLESSIBILE	FLEXBALLBETAETIG. MANDO FLEXIBLE
11	19150570	1	8899-99	WIRE	FIL DE FER FILO METALLICO	DRAHT ALAMBRE
12	19152197	1	8899-99	LINER	GAINA GUAINA	HUELLE FORRO
13	1117928	1	1150-06	CIRCLIP DIAM=6MM	CIRCLIP ANELLO DI SICUREZZ	SICHERUNGSRING CIRCLIP

IVECO

Engine Cooling
Refroidissement du moteur
Motorkühlung
Raffreddamento motore
Refrigeramiento motor

5000-60 626 5332



IVECO
PARTS

DATE 12-90 SUBGROUP 5000-60

6265332

PAGE 1

DESCRIPTIONS AND REMARKS

ITEM	P. NUMBER	QTY	TO-NR COD PROT	DESCRIPTION REMARK	DESIGNATION DESCRIZIONE	BENENNUNG DENOMINATIONES
2	8584805	2	5420-32	RUBBER LUG	SILENTBLOC TASSELLO GOMMA	GUMMI STOLLEN TACO CAUCHO
3	8585875	2	5420-32	COLLAR/ROSETTE	ROSA ROSETTA	ROSETTE ARANDELA
4	8585876	2	5420-32	RUBBER LUG	SILENTBLOC TASSELLO GOMMA	GUMMI STOLLEN TACO CAUCHO
5	8585922	2	5420-32	SPACING BAR	INTERCALAIRE DISTANZIALE	ZWISCHENLAGE SUPLEMENTO
6	8586706	1	5420-32	BLOWER	VENTILATEUR VENTILATORE COMPL	FEDERSCHLEIBE FEDERSCHLEIBE
7	10516673	1	1122-04	SPRING WASHER DIAM=8, 1MM	RONDELLE ELASTIQUE ROSETTA ELASTICA	ARANDELA ELASTICA ARANDELA ELASTICA
8	10571479	1	8899-99	SPRING WASHER DIAM=5MM	RONDELLE ELASTIQUE ROSETTA ELASTICA	ARANDELA ELASTICA SECHSKANTSCHRAUBE
9	10977521	1	8899-99	HEX. BOLT M5X10	VITE 6 PANS VITE TESTA ESAGONA	TORNILLO HEXAGONAL SPANNSCHELLE
11	12174190	1	8899-99	CLIP DIAM.=40/60MM	COLLIER SERRAGE COLLARE DI FISS.	ABRAZADERA FIJAC. ABRAZADERA FIJAC.
12	12178990	1	5000-60	CLIP	COLLIER SERRAGE COLLARE DI FISS.	UNTERLEGSCHLEIBE ARANDELA CALCE
15	12646721	1	1110-04	WASHER DIAM=8X20MM	RONDELLE RONDELLA	SENKSCHEIBE TORN. CABZA EMBUTID
16	13303711	1	5520-98	C-SLUNK SCREW M5X22	VITE A TESTA SVAS RONDELLE	UNTERLEGSCHLEIBE ARANDELA CALCE
17	14496501	1	1111-04	WASHER DIAM=8, 5MM	VITE A TESTA SVAS RONDELLE	UNTERLEGSCHLEIBE ARANDELA CALCE
18	15896411	1	1110-03	HEX. NUT M5	ECROU 6 PANS DADO ESAGONALE	TUERCA HEXAGONAL TUERCA HEXAGONAL
19	16043121	1	8899-99	HEX. BOLT MBX14	VITE 6 PANS VITE TESTA ESAGONA	SECHSKANTMUTTER TORNILLO HEXAGONAL
20	16043221	1	1102-01	HEX. BOLT MBX16	VITE 6 PANS VITE TESTA ESAGONA	SECHSKANTMUTTER TORNILLO HEXAGONAL
21	16043621	1	8899-99	HEX. BOLT MBX25	VITE 6 PANS VITE TESTA ESAGONA	SECHSKANTMUTTER TORNILLO HEXAGONAL
22	16043721	1	5088-99	HEX. BOLT MBX28	VITE 6 PANS VITE TESTA ESAGONA	SECHSKANTMUTTER TORNILLO HEXAGONAL
23	16044321	1	8899-99	HEX. BOLT MBX1, 25X55	VITE 6 PANS VITE TESTA ESAGONA	SECHSKANTMUTTER TORNILLO HEXAGONAL
24	16100811	1	1110-03	HEX. NUT M8	ECROU 6 PANS DADO ESAGONALE	TUERCA HEXAGONAL TUERCA HEXAGONAL
25	19053280	M	8899-99	PLASTIC TUBE	TUBO PLASTIQUE TUBO DI PLASTICA	KUNSTSTOFFROHR TUBO PLASTICO
26	60135711	1	5420-32	BREATHER PIPE	TUBE DE DESAERAGE TUBO DI SFATIO	ENTLUEFTUNGSRÖHR TUBO DESCARGA
28	60135811	1	5420-04	SPACING BAR	INTERCALAIRE DISTANZIALE	ZWISCHENLAGE SUPLEMENTO

IVECO
PARTS

DATE 12-90 SUBGROUP 5000-60

6265332

PAGE 2

DESCRIPTIONS AND REMARKS

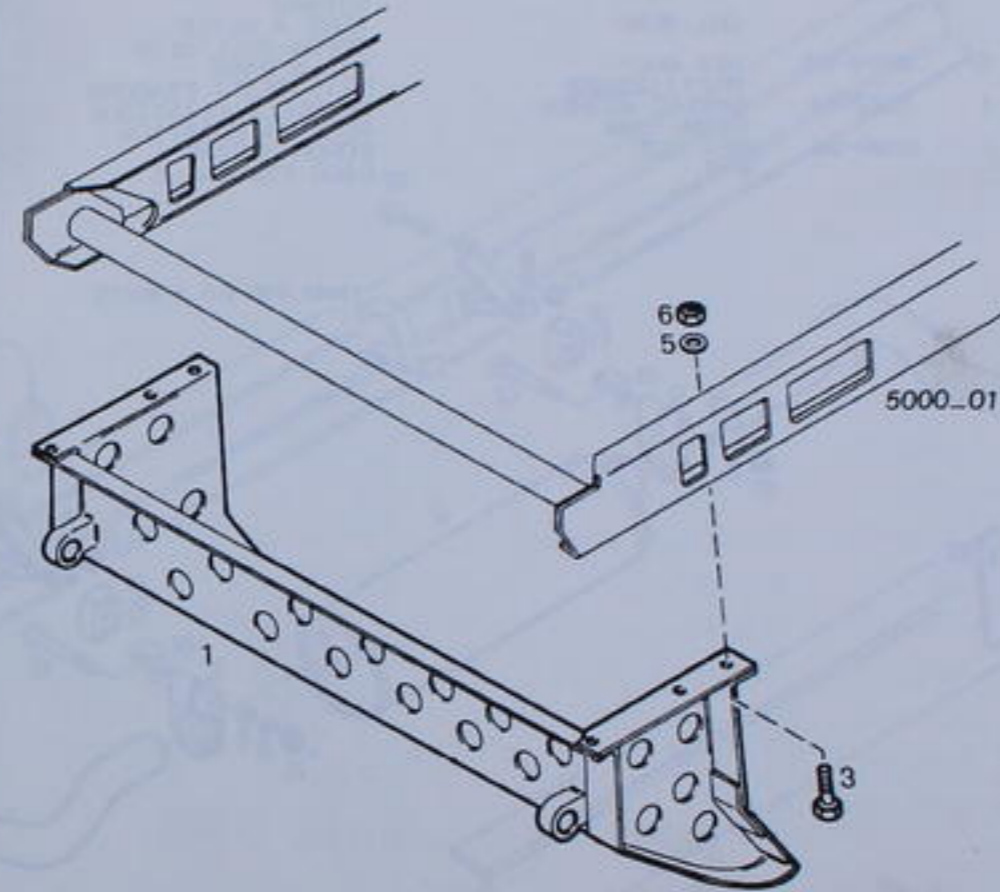
ITEM	P. NUMBER	QTY	TO-NR COD PROT	DESCRIPTION REMARK	DESIGNATION DESCRIZIONE	BENENNUNG DENOMINATIONES
30	60145418	1	5000-60	SPACING BAR	INTERCALAIRE DISTANZIALE	ZWISCHENLAGE SUPLEMENTO
31	60145419	1	5000-60	GASKET	JOINT GUARNIZIONE	DICHTUNG JUNTA
32	60145420	2	5000-60	GASKET	JOINT GUARNIZIONE	DICHTUNG JUNTA
33	60153228	1	5000-60	BRACKET LEFT	CONSOLE MENSOLA	KONSOLE SOPORTE
34	60153229	1	5000-60	BRACKET RIGHT	CONSOLE MENSOLA	KONSOLE SOPORTE
35	60154352	1	5000-60	AIR HOOD	CONVOYEUR D'AIR CONVOGLIATORE ARIA	LUFTFUHRUNGSHAUBE CANALIZADOR AIRE
36	60154393	1	5000-60	TIE ROD LEFT	TIRANT TIRANTE	ZUGANKER TIRANTE
37	60154396	1	5000-60	TIE ROD RIGHT	TIRANT TIRANTE	ZUGANKER TIRANTE
38	93808688	1	5012-60	WATER RADIATOR ASSY	RADIATEUR EAU RADIATORE ACQUA	WASSERKUEHLER RADIADOR
39	60148943	1	5000-60	WATER HOSE	FLEXIB. EAU REFROID MANICOTTO ACQUA	KUEHLWASS. SCHLAUCH MANGUERA AG. REFRG.
40	60151380	1	5000-60	WATER HOSE	FLEXIB. EAU REFROID MANICOTTO ACQUA	KUEHLWASS. SCHLAUCH MANGUERA AG. REFRG.
41	60152261	1	5036-60	HOSE FOR WATER	FLEXIBLE EAU TUBOFLEX GOMMA ACO	WASSERSCHLAUCH MANGUERA AGUA
42	60157816	1	5000-60	EXPANSION TANK	VASE COMPENSATION SERBATOIO COMPENS.	AUSGLEICHBEHALTER OSTO EXPANSION
43	12606979	1	1130-04	TOOTHED WASHER 8,5	RONDELLE DENTEE ROSETTA EL. DENTATA	ZAHNSCHLEIBE ARANDELA DENTADA
44	17089474	1	1104-20	COLLAR/ROSETTE DIAM=8X16X1,4MM	ROSA ROSETTA	ROSETTE ARANDELA
45	17764292	1	1145-43	HOSE CLIP	COLLIER SERRAGE COLL. FISS. TUBI GOM	SCHLAUCHSCHELLE ABRAZADERA MANGUER
46	12179890	1	1143-45	CLIP 18/28	COLLIER SERRAGE COLLARE DI FISS.	SPANNSCHELLE ABRAZADERA FIJAC.
47	60160893	1	5000-60	CAP	CAPUCHON PROTECT CAPPUCCIO DI PROT.	ABDECKKAPPE CAPUCHON DE PROTEC
48	61573590	1	0000-00	SCREW PLUG	VITE DE FERMETURE VITE DI CHIUSURA	VERSCHLUSSSCHRAUBE TAPON ROSCADO
49	17764692	1	1145-43	HOSE CLIP	COLLIER SERRAGE COLL. FISS. TUBI GOM	SCHLAUCHSCHELLE ABRAZADERA MANGUER

IVECO

Engine Ancillaries
Accessoires sur moteur
Motoranbauteile
Auxiliiari su motore
Piezas adosadas



5000-61 626 5513



IVECO
PARTS

DATE 12-00 DESIGN GROUP 5000-61 8283513

PAGE 1

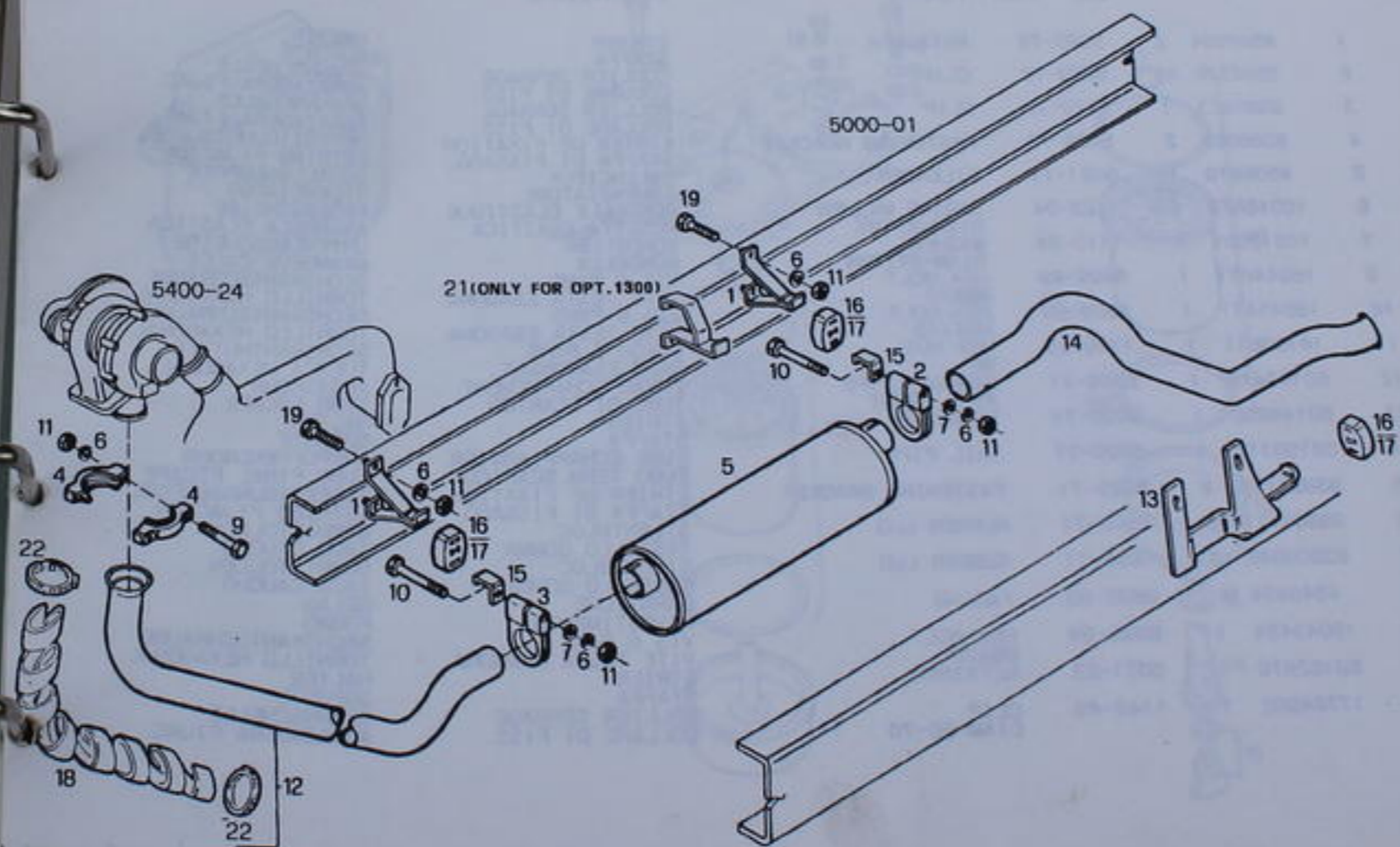
DESCRIPTIONS AND REMARKS

ITEM	P. NUMBER	QTY	TO-NR COD PROT	DESCRIPTION REMARK	DESIGNATION DESCRIZIONE	BENENNUNG DENOMINATIONES
1	8584646	1	5020-01	PROTECTION OIL SUMP	PROTECTION RIPARO CUIVE A HUILE COPPA DELL'OLIO VIS. 6 PANS	ABDECKUNG DEFENSA OELWANNE SUMIDERO ACEITE SECHSKANTSCHRAUBE TORNILLO HEXAGONAL
3	15540421	6	8899-99	HEX. BOLT M12X1,25X30	VITE TESTA ESAGONA RODELLE ELASTIQUE	FEDERSCHEIBE ARANDELA ELASTICA
5	10571973	1	1122-04	SPRING WASHER DIAM=12MM	ROSETTA ELASTICA ECROU 6 PANS	SECHSKANTMUTTER TUERCA HEXAGONAL
6	16101521	1	8899-99	HEX. NUT M12	DADO ESAGONALE	

IVECO

Exhaust Silencer and Pipe
Montage d'échappement
Auspuffanlage
Silenziatore e tubazioni di scarico
Sistema de escape y silenciador

5000-71 626 7016



IVECO
PARTS

DATE 20-12-90

SUBGROUP 5000-71

6267016

PAGE 1

DESCRIPTIONS AND REMARKS

ITEM	P. NUMBER	QTY	TO-NR COD PROT	DESCRIPTION REMARK	DESIGNATION DESCRIZIONE	BENENNING DENOMINAZIONE
1	8582094	2	5020-72	RETAINER	ETRIER	HALTER
2	8582510	1	5020-72	CLIP	STAFFA	SOPORTE
3	8585923	1	5020-72	CLIP	COLLIER SERRAGE	ABRAZADERA FIJAC.
4	8586089	2	5020-72	FASTENING BRACKET	COLLARE DI FISS.	SPANNSCHELLE
5	8588810	1	5021-71	SILENCER	COLLIER SERRAGE	ABRAZADERA FIJAC.
6	10516673	1	1122-04	SPRING WASHER	COLLARE DI FISS.	BEFESTIGUNGSBUEGEL
7	10519601	1	1110-04	WASHER	ETRIER DE FIXATION	ESTRIBO FIJACION
9	16044621	1	8899-99	DIAM-BX17MM	STAFFA DI FISSAGG.	SCHALLDAEMPFER
10	16045421	1	8899-99	HEX. BOLT	SILENCIEUX	SILENCIADOR
11	16100811	1	1110-03	HEX. BOLT	SILENZIATORE	FEDERSCHEIBE
12	60147416	1	5000-71	EXHAUST PIPE	RODELLE ELASTIQUE	ARANDELA ELASTICA
13	60148950	1	5000-71	ASSY FRONT	ROSETTA ELASTICA	UNTERLEGSCHLEIBE
14	60150312	1	5000-71	TAIL PIPE	RODELLE	ARANDELA CALCE
15	93806116	2	5020-71	FASTENING BRACKET	RONDELLA	SECHSKANTSCHRAUBE
16	93806171	2	5000-71	RUBBER LUG	VIS 6 PANS	TORNILLO HEXAGONAL
17	93809649	2	5056-71	RUBBER LUG	VITE TESTA ESAGONA	SECHSKANTSCHRAUBE
18	4840454	M	8899-99	FACING	VITE TESTA ESAGONA	TORNILLO HEXAGONAL
19	16043424	1	8899-99	HEX. BOLT	ECROU 6 PANS	SECHSKANTMUTTER
21	60162670	1	5071-23	RETAINER	DADO ESAGONALE	TUERCA HEXAGONAL
22	17764992	1	1143-45	CLIP	TUYAU ECHAPPEMENT	ABGASROHR
				DIAM=50-70	TUBO DI SCARICO	TUBO ESCAPE
					ETRIER	HALTER
					STAFFA	SOPORTE
					TUBE ECHAPP.ARRIER	AUSPUFFENDROHR
					TUBO TERM. SCARICO	TUBO FINAL ESCAPE
					ETRIER DE FIXATION	BEFESTIGUNGSBUEGEL
					STAFFA DI FISSAGG.	ESTRIBO FIJACION
					SILENTBLOC	GUMMISTOLLEN
					TASSELLO GOMMA	TACO CAUCHO
					SILENTBLOC	GUMMISTOLLEN
					TASSELLO GOMMA	TACO CAUCHO
					GARNITURE	BELAG
					RIVESTIMENTO	FORRO
					VIS 6 PANS	SECHSKANTSCHRAUBE
					VITE TESTA ESAGONA	TORNILLO HEXAGONAL
					ETRIER	HALTER
					STAFFA	SOPORTE
					COLLIER SERRAGE	SPANNSCHELLE
					COLLARE DI FISS.	ABRAZADERA FIJAC.

IVECO

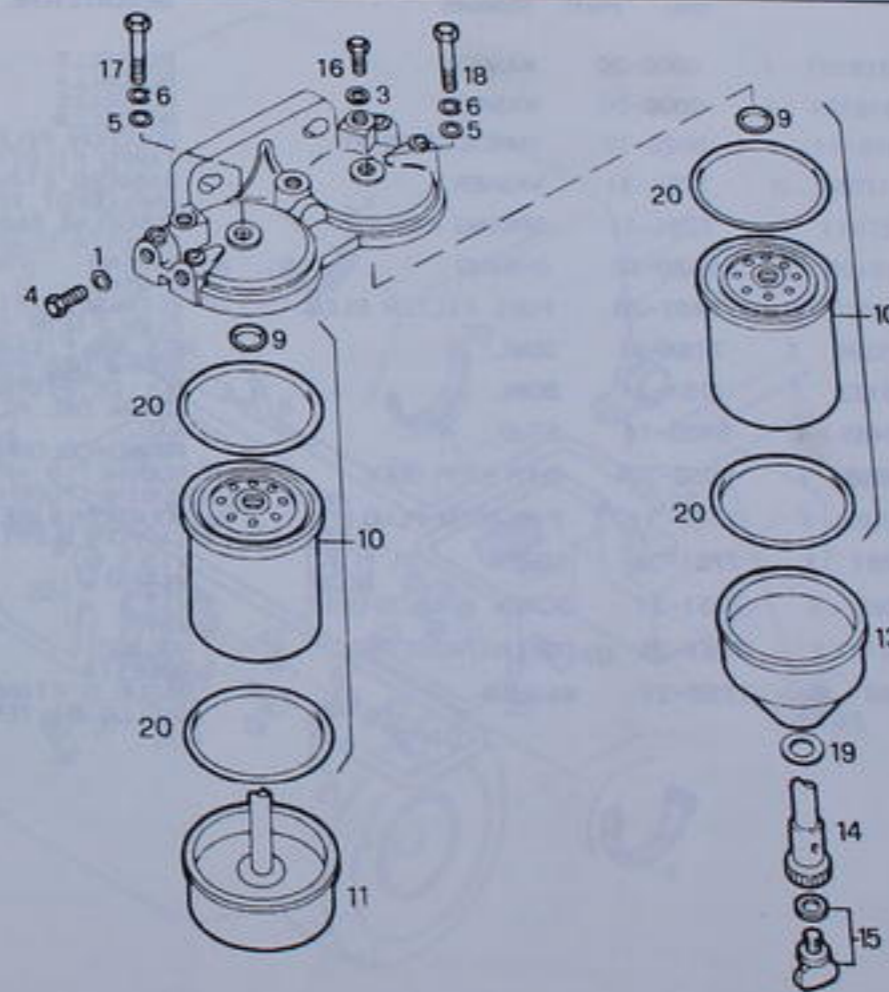
Fuel Filter
Filtro a combustible
Kraftstofffilter
Filtro combustible
Filtro de combustible

Components
Pièces
Teile
Parti
Piezas



ASSY NR. 4659288

5050-72 626 7815



IVECO
PARTS

DATE 12-80 SUBGROUP 5050-72 6267815

PAGE 1

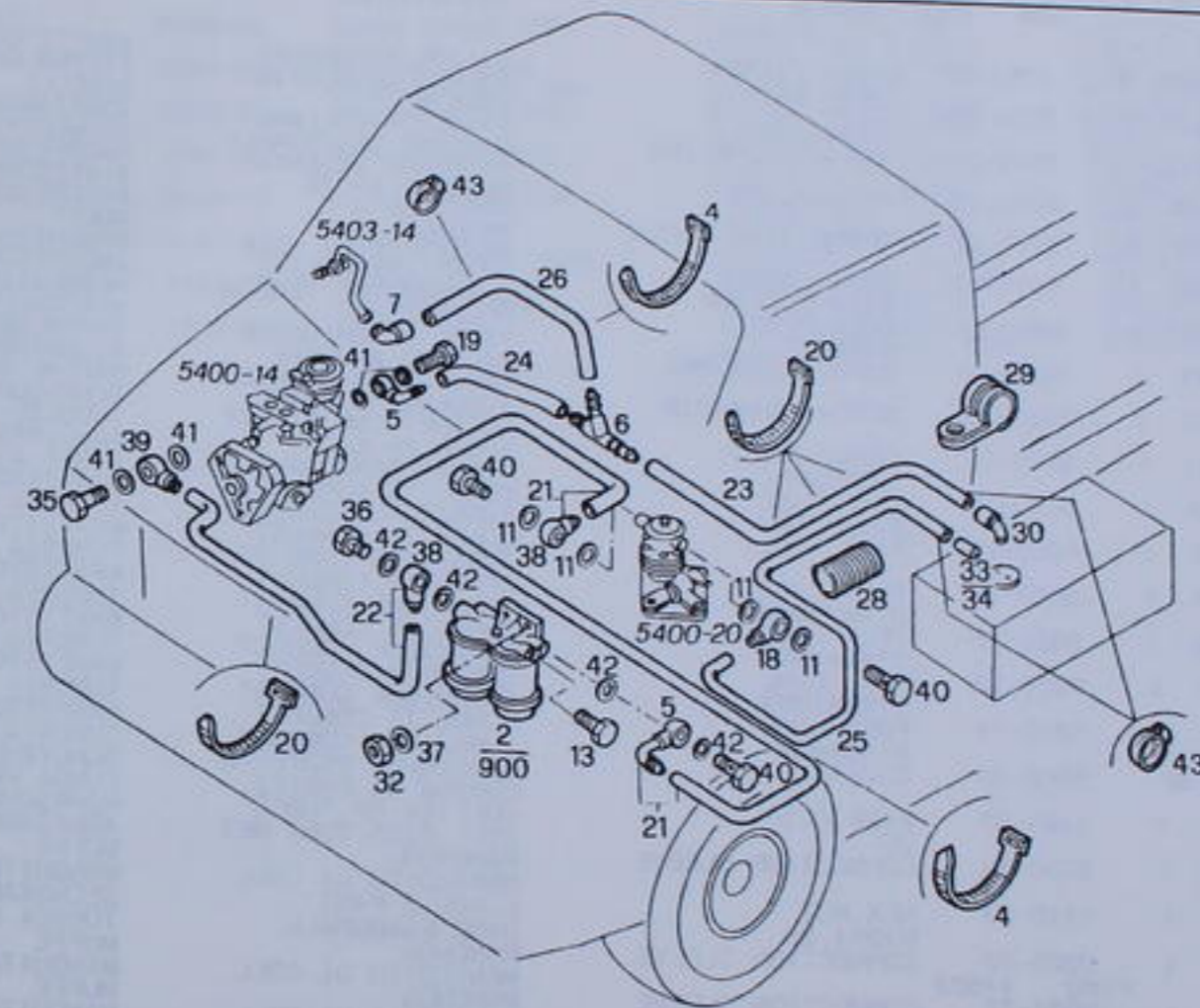
DESCRIPTIONS AND REMARKS

ITEM	P. NUMBER	QTY	TO-NR COD PROT	DESCRIPTION REMARK	DESIGNATION DESCRIZIONE	BENENNUNG DENOMINATIONES
1	9918107	1	0000-00	WASHER	RONDELLE	UNTERLEGSCHIEBE
3	9918104	1	0000-00	WASHER	RONDELLA	ARANDELA CALCE
4	9918111	1	5020-72	THREADED PLUG	RONDELLE	UNTERLEGSCHIEBE
5	9917950	2	7751-31	WASHER	BOUCHON FILETE	GEWINDESTOPFEN
6	9927911	2	7751-31	SPRING WASHER	TAPPO FILETTATO	TAPON ROSCADO
9	9918105	2	5020-72	O-RING	BAGUE D'ETANCHEITE	DICHTRING
10	1901929	2	5407-20	FUEL FILTER ELEM.	ANELLO DI TENUTA	ANILLO DE JUNTA
11	9918386	1	7751-31	BOWL	ROSETTA ELASTICA	FEDERSCHIEBE
13	9918123	1	7751-31	BOWL	O-RING	ARANDELA ELASTICA
14	8123482	1	5420-14	STUD	O-RING	O-RING
15	9989895	1	5050-72	SHUT-OFF COCK	ELEMENT FILT.COM	KRAFTST. FILT. EINS.
16	8190280	1	7751-31	THREADED PLUG	ELEM. FILTR. COMB.	FILTR. COMBUSTIBLE
17	8190281	1	7751-31	SCREW	BOL DE FILTRE	FILTERTOPF
18	8190282	1	7751-31	SCREW	COPPA DEL FILTRO	CAJA FILTRO
19	9918124	1	7751-31	COLLAR/ROSETTE	BOL DE FILTRE	FILTERTOPF
20	79020892	4	7750-31	WASHER	COPPA DEL FILTRO	CAJA FILTRO
					AXE	BOLZEN
					PERNO/COLONNETTA	ESPARRAGO
					ROBINET D'ARRET	ABSPERRHAHN
					RUBINETTO CHIUSURA	GRIFO CIERRE PASO
					BOUCHON FILETE	GEWINDESTOPFEN
					TAPPO FILETTATO	TAPON ROSCADO
					VIS	SCHRAUBE
					VITE	TORNILLO
					VITE	SCHRAUBE
					VITE	TORNILLO
					ROSACE	ROSETTE
					ROSETTA	ARANDELA
					BAGUE D'ETANCHEITE	DICHTRING
					ANELLO DI TENUTA	ANILLO DE JUNTA

IVECO

Fuel Pipeline
Canalisation combustible
Kraftstoffleitungen
Tubazioni combustibile
Tuberías de combustible

5001-72 626 7962



IVECO PARTS		DATE 12-90		SUBGROUP 5001-72		6267962		DESCRIPTIONS AND REMARKS		BENENNING DENOMINATIONES	
ITEM	P. NUMBER	QTY	TO-NR COD	PROT	DESCRIPTION REMARK	DESIGNATION DESCRIZIONE					
2	4659288	1	7751-31		FUEL FILTER ASSY CAV	FILTRE A COMBUST					KRAFTSTOFFFILTER
4	4755173	2	5020-83		CLIP L=276,5MM	FILTRO COMBUSTIB.					FILTRO COMBUSTIBL
5	8790654	1	5020-72		SWIVEL COUPLING	COLLIER					SCHELLE
6	8797310	1	5020-72		T-COUPLING	FASCETTA/COLLARE					ABRAZADERA
7	8797897	1	5020-72		CONNECTION SLEEVE	RACCORD ORIENTAB.					SCHWENKVERSCHAUBG
11	10260160	1	1107-48		SEAL GASKET DIAM=10X14MM	RACCORD ORIENTAB.					RACORE ORIENTABLE
13	10300611	1	8899-99		LOCK PLUG M14X1,5	RACCORD EN TE					T-VERSCHAUBUNG
18	38561074	1	8899-99		BANJO COUPLING	RACCORDO A T					RACORE EN T
19	38829546	1	8899-99		SCREW CONNECTOR	MANCHON					MUFFE
20	41800381	4	8976-72		CABLE STRAP L=375MM	MANICOTTO DI COLL.					MANGUITO
21	60137754	1	5020-72		FUEL LINE DIAM=10MM	JOINT ETANCHEITE					ABDICHTUNG
22	60137755	1	5020-72		FUEL LINE DIAM=10MM	GUARNIZIONE TENUTA					HERMETIZACION
23	60137474	1	5020-72		FUEL LINE DIAM=10MM	BOUCHON					VERSCHLUSSSTOPFEN
24	60135639	1	5020-72		FUEL LINE DIAM=10MM	TAPPO DI CHIUSURA					AUGENANSCHLUSS
25	60137473	1	5020-72		FUEL LINE DIAM=10MM	RACCORDO A CHAPE					RACORE ANULAR
26	60135641	1	5020-72		FUEL LINE DIAM=10MM	RACCORDO A OCCHIEL					SCHRAUBSTUTZEN
28	4740566	M	5056-83		COVER	TUBULURE FILETEE					TUBULAD.ROSCADA
29	10450990	1	1160-07		PIPE CLIP	BOCCHETTONE FILETT					ABDICHTUNG
30	8797898	1	5020-72		CONNECTION SLEEVE	RUBAN PR CABLE					JOINT ETANCHEITE
32	12164711	1	1110-03		HEX NUT M10X1,25	NASTRO SERR CAVI					GUARNIZIONE TENUTA
33	8797898	1	5020-72		CONNECTION SLEEVE	CONDUITE COMBUST					BAGUE D'ETANCHEITE
34	8798053	1	5091-72		CONNECTION SLEEVE	TUBAZIONE COMBUST					ANILLO DE JUNTA
35	10181711	1	8899-99		SCREW CONNECTOR M12X1,5	CONDUITE COMBUST					SCHLAUCHSCHELLE

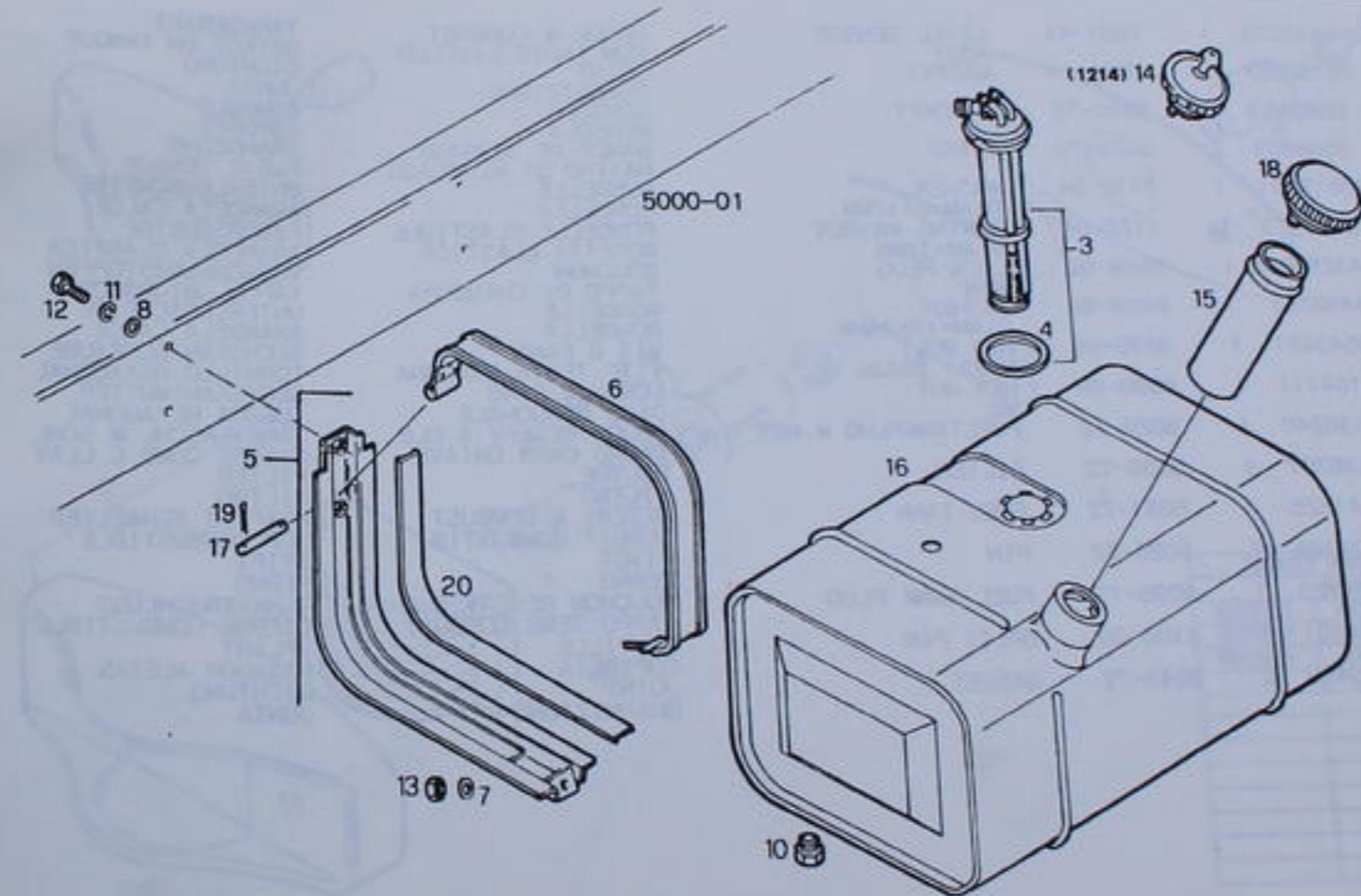
IVECO PARTS		DATE 12-90		SUBGROUP 5001-72		6267962		DESCRIPTIONS AND REMARKS		BENENNING DENOMINATIONES	
ITEM	P. NUMBER	QTY	TO-NR COD	PROT	DESCRIPTION REMARK	DESIGNATION DESCRIZIONE					
36	10184311	1	8899-99		SCREW CONNECTOR M14X1,5	TUBULURE FILETEE					SCHRAUBSTUTZEN
37	11190579	1	8899-99		SPRING WASHER DIAM=10X20X2,3MM	BOCCHETTONE FILETT					TUBULAD.ROSCADA
38	8556548	2	5020-72		SWIVEL COUPLING	RONDELLE ELASTIQUE					FEDERSCHEIBE
39	8797348	1	1251-42		BANJO COUPLING	ROSETTA ELASTICA					ARANDELA ELASTICA
40	4617973	3	5420-72		SCREW CONNECTOR	RACCORD ORIENTAB.					SCHWENKVERSCHAUBG
41	10298460	1	1107-48		SEAL GASKET DIAM=13X18X1,5MM	RACCORDO ORIENTAB.					RACORE ORIENTABLE
42	16508160	1	1143-20		WASHER DIAM=14X18MM	RACCORDO A CHAPE					AUGENANSCHLUSS
43	17764292	1	1145-43		HOSE CLIP	RACCORDO A OCCHIEL					RACORE ANULAR
900	*				SEE PL 5050-72	TUBULURE FILETEE					SCHRAUBSTUTZEN
						BOCCHETTONE FILETT					TUBULAD.ROSCADA
						JOINT ETANCHEITE					ABDICHTUNG
						GUARNIZIONE TENUTA					HERMETIZACION
						BAGUE D'ETANCHEITE					DICHTUNG
						ANILLO DI TENUTA					ANILLO DE JUNTA
						COLLIER SERRAGE					SCHLAUCHSCHELLE
						COLL.FISS.TUBI GOM					ABRAZADERA MANGUER

VECO

Fuel Tank
R servoir   combustible
Kraftstoffbeh lter
Serbetolo combustibile
Dep sito de combustible



5000-72 626 8116



IVECO
PARTS

DATE 20-12-00

SUBGROUP 5053-83

6276088

PAGE 1

DESCRIPTIONS AND REMARKS

ITEM	P. NUMBER	QTY	TO-NR COD PROT	DESCRIPTION REMARK	DESIGNATION DESCRIZIONE	BENENNUNG DENOMINACIONES
2	8123526	1	5020-83	HEADLIGHT RING ASSY	BAGUE DE PHARE CORNICE PROIETTORE	SCHEINWERFERRING ARO PARA FARO
3	9926262	1	5000-00	PLUG	FICHE DE CONTACT SPINA ELETTRICA	STECKER CLAVIJA ENCHUFE
4	9926263	1	5000-00	RUBBER BUSH	FOURREAU CAOUTCH BOCCOLA DI GOMMA	GUMMIBUCHSE CASQU CAUCHO
5	9926264	1	5000-00	COLLAR/ROSETTE	ROSETTE	ROSETTE
6	79064297	1	5000-00	GLASS PANEL	ROSETTA GLACE EN PLEXIGLAS TRASPARENTE DI PLAST.	ARANDELA PLEXIGLASSCHEIBE CRISTAL PLEXIGLAS

IVECO

Headlamp
Projecteur
Scheinwerfer
Proiettore

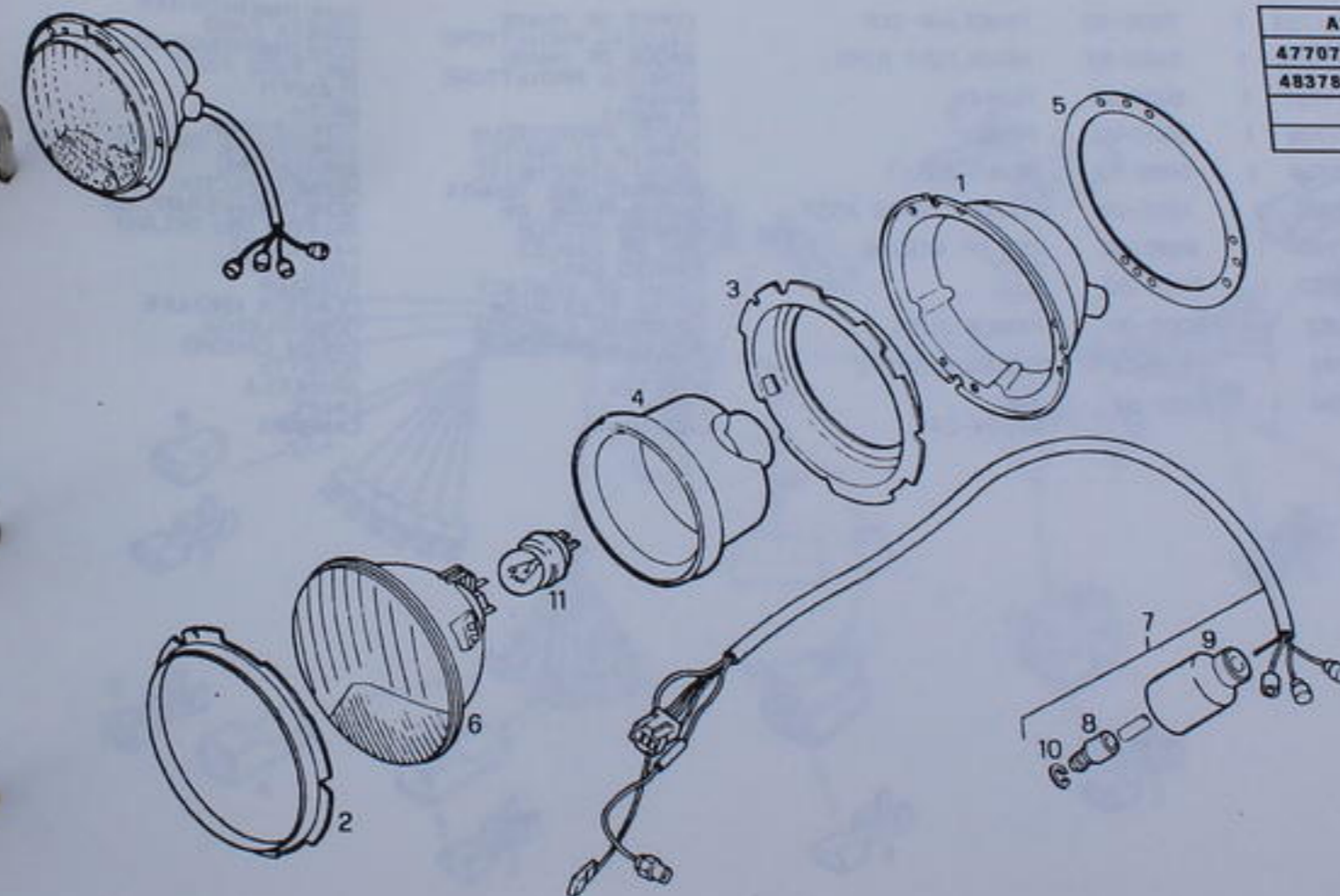
Components
Pièces
Telle
Parti
Piezas



ASSY NR.

5052-83 627 6735

ASSY NR.	
4770716	4891950
4837581	4838507



IVECO
PARTS

DATE 12-80

SUBGROUP 8052-83

6276739

PAGE 1

DESCRIPTIONS AND REMARKS

IVECO

Set of wiring
Jeu de cables
Kabelsatz
Fascio cavi
Lote cable

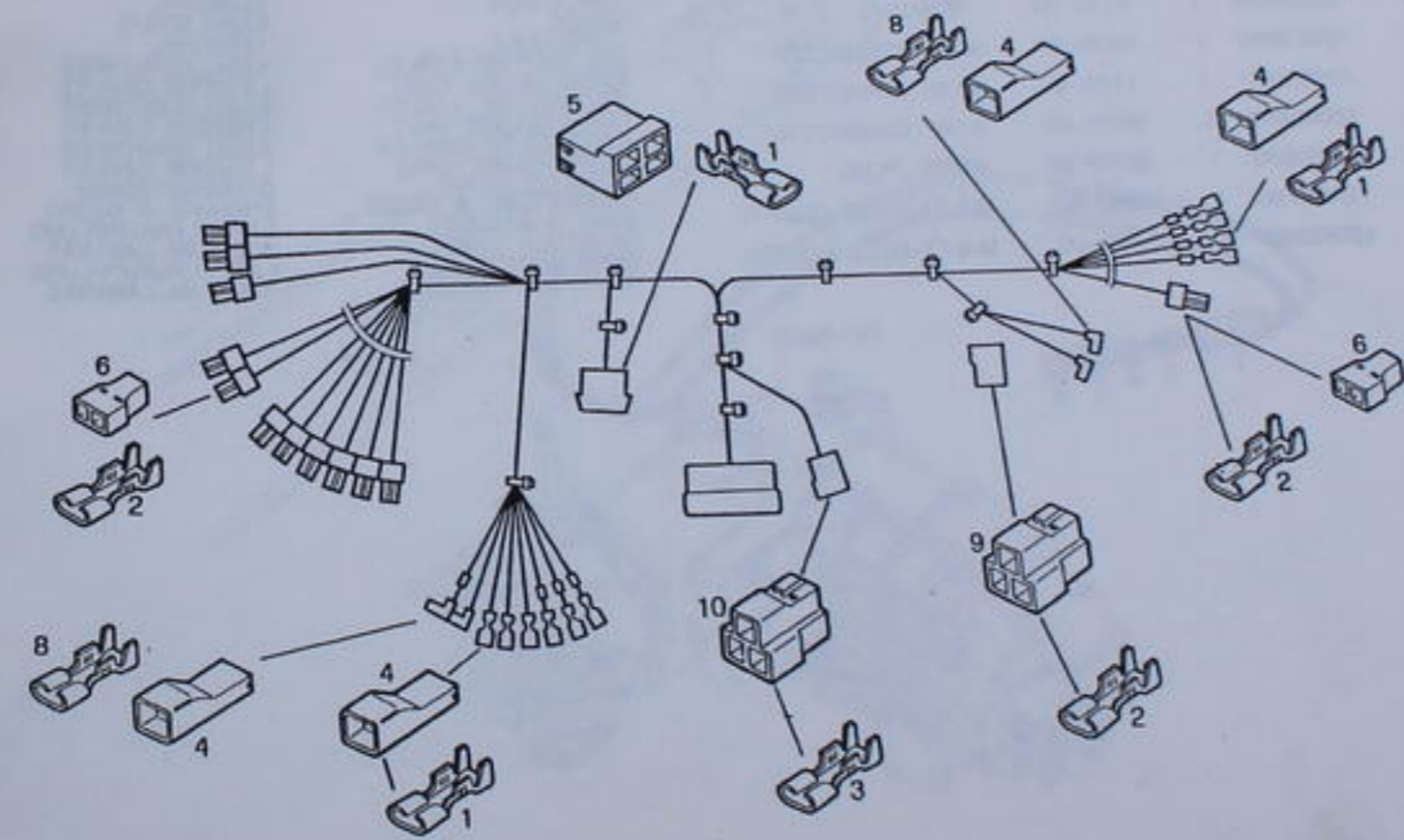


ASSY NR.

5058-83 627 8534

ASSY NR.	
60140927	60148338

ITEM	P. NUMBER	QTY	TO-NR COD PROT	DESCRIPTION REMARK	DESIGNATION DESCRIZIONE	BENENNUNG DENOMINATIONES
1	8121735	1	5020-83	HEADLAMP CUP	CORPS DE PHARE CALOTTA PROIETTORE	SCHEINWERFERTOPF CUBETA FARO
2	8121736	1	5020-83	HEADLIGHT RING	BAGUE DE PHARE CORNICE PROIETTORE	SCHEINWERFERRING ARO PARA FARO
3	8121737	1	5020-83	FLANGE	BRIDE	FLANSCH
4	8121738	1	5020-83	HOOD	FLANGIA CAPOT PROTECTEUR	SCHUTZHAUBE SOMBRERETE PROTEC.
5	8121739	1	5020-83	SEAL GASKET	CUFFIA DI PROTEZ. JOINT ETANCHEITE	ABDICHTUNG HERMETIZATION
6	8197960	1	7605-30	FRONT LIGHTS ASSY.	GUARNIZIONE TENUTA GRUPPO PHARE AV	SCHEINWERFERANLAGE GRUPO FARO DELANT.
7	8122793	1	5020-83	SET OF WIRING ASSY PLUG	GRUPPO OTTICO JEU DE CABLES	KABELSATZ LOTE CABLE
8	9926262	1	5000-00	RUBBER BUSH	FASCIO CAVI FICHE DE CONTACT	STECKER CLAVIJA ENCHUFE
9	9926263	1	5000-00	COLLAR/ROSETTE	SPINA ELETTRICA FOURREAU CAOUTCH	GUMMIBUCHSE CASQU CAUCHO
10	9926264	1	5000-00	LAMP	ROSCOLA DI GOMMA ROSETTE	ROSETTE ARANDELA
11	14147690	1	5020-57	LAMP 55/50W-24V	LAMPADA	LAMPE LAMPARA



IVECO
PARTS

DATE 21-12-90 SUBGROUP 5058-83 6278534

PAGE 1

DESCRIPTIONS AND REMARKS

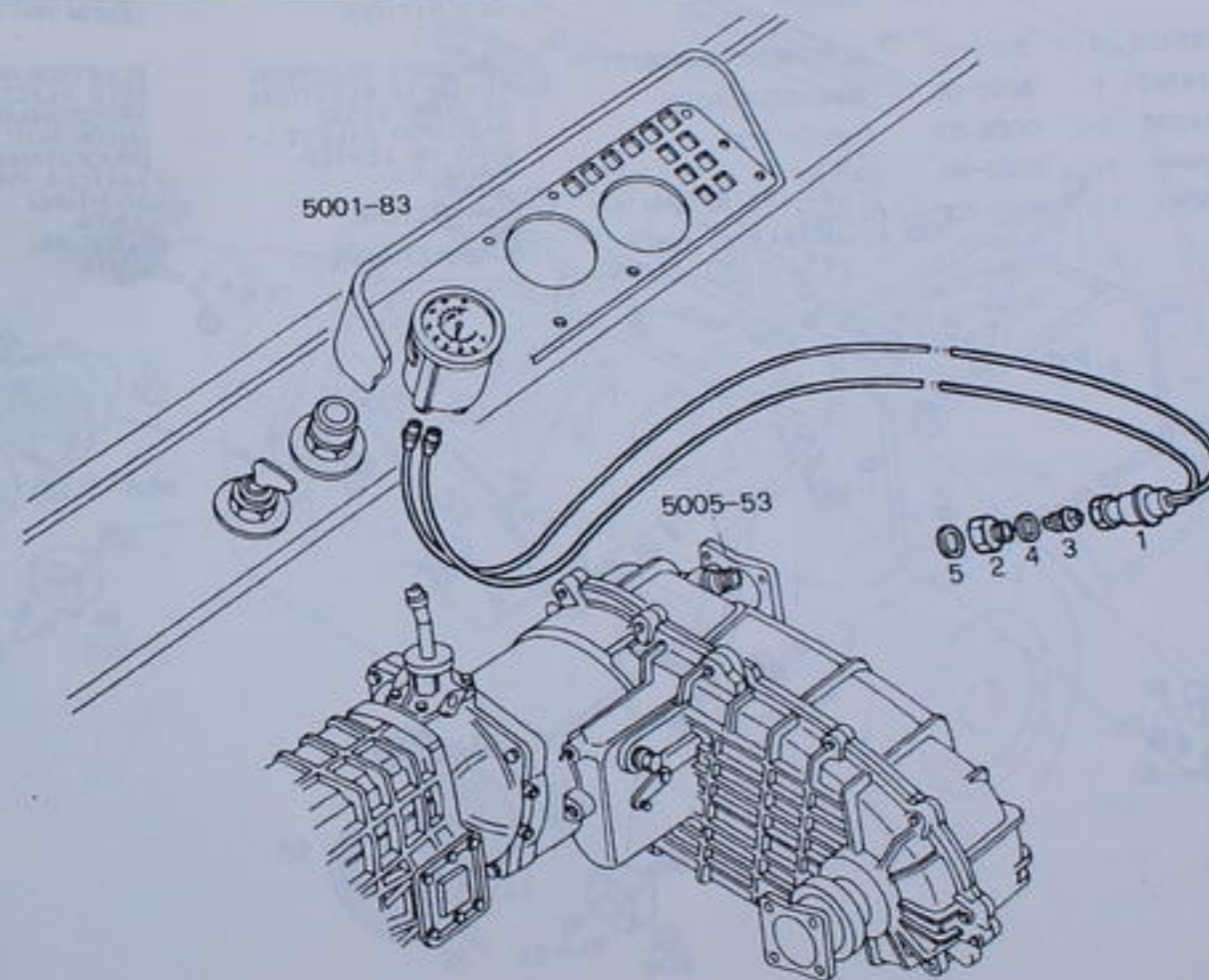
ITEM	P. NUMBER	QTY	TO-NR COD PROT	DESCRIPTION REMARK	DESIGNATION DESCRIZIONE	BENENNUNG DENOMINATIONS
1	10249744	1	8899-99	TERMINAL	COSSE	KABELSCHUH
2	10250544	1	5000-83	TERMINAL	CAPOCORDA	TERMINAL
3	10250644	1	1170-83	TERMINAL	COSSE	KABELSCHUH
4	12055880	1	8899-99	WIRE CONNECTOR	CAPOCORDA	TERMINAL
5	12058080	1	1170-83	WIRE CONNECTOR	RACCORD DE CABLES	KABELVERBINDER
6	12060480	1	8899-99	WIRE CONNECTOR	CONNESSIONE CAVI	LIGADOR CABLES
8	12060980	1	8899-99	DIODE PLUG	RACCORD DE CABLES	KABELVERBINDER
9	12066780	1	8899-99	MULTI-DISC CLUTCH	CONNESSIONE CAVI	LIGADOR CABLES
10	12066880	1	5000-00	MULTI-DISC CLUTCH	FICHE A DIODE	DIODENSTECKER
					CONNETTORE A DIODI	ENCHUFE A DIODO
					EMBR A DISQUES	LAMELLENKUPPLUNG
					GIUNTO A LAMELLE	ACOPLAM. LAMINAS
					EMBR A DISQUES	LAMELLENKUPPLUNG
					GIUNTO A LAMELLE	ACOPLAM. LAMINAS

IVECO

Speedometer Drive
Comando de signal de vitesse
Tachometer-Antrieb
Comando segnalazione velocità
Mando indicador velocidad



5005-83 627 8805



IVECO
PARTS

DATE 12-12-00

SUBGROUP 5005-83

6278803

PAGE 1

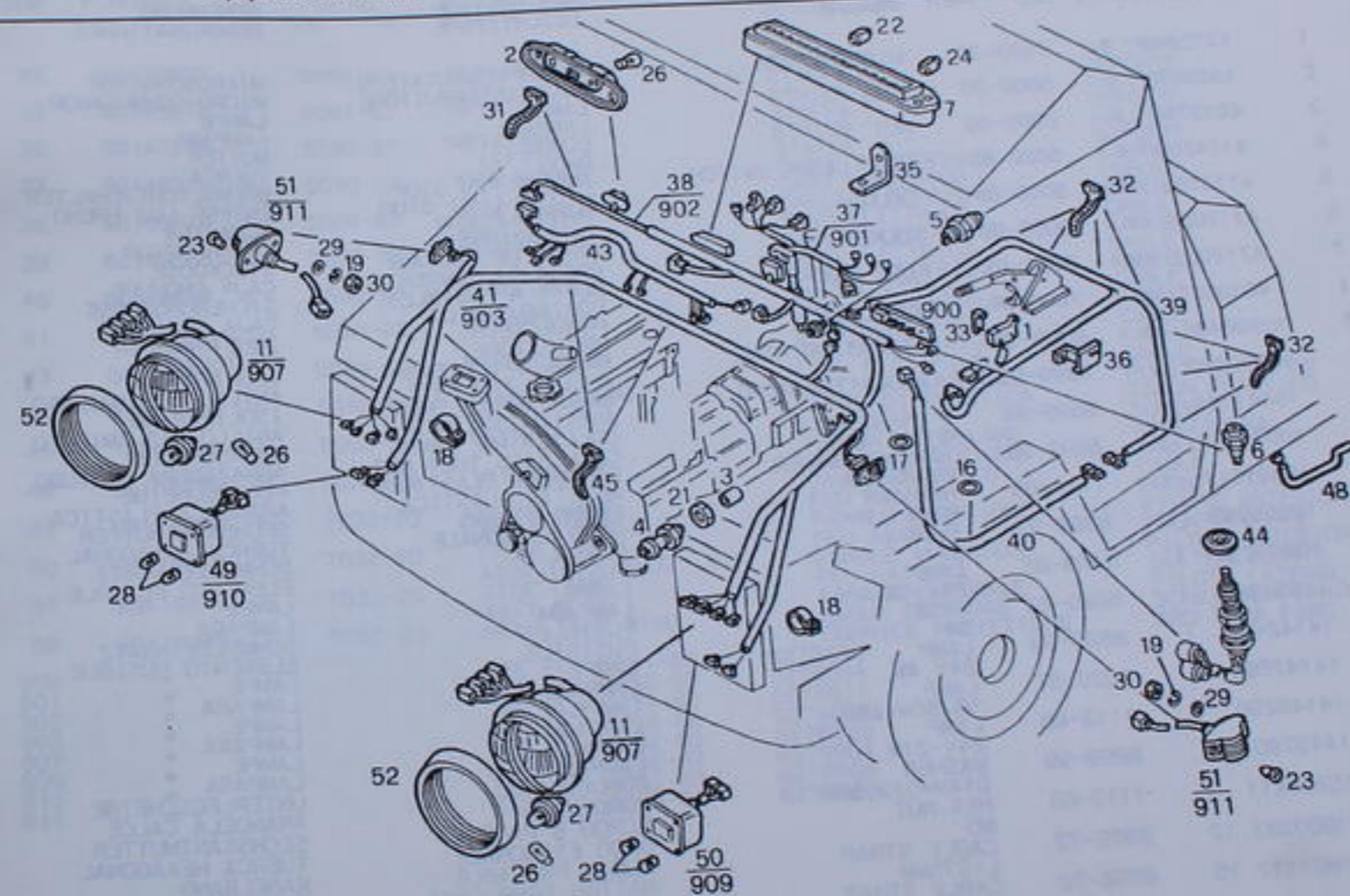
DESCRIPTIONS AND REMARKS

ITEM	P. NUMBER	QTY	TO-NR COD PROT	DESCRIPTION REMARK	DESIGNATION DESCRIZIONE	BENENNING DENOMINACIONES
1	4755429	1	5020-64	ELECTRON. TRANSMITT	TRASMET. ELETTRON.	ELEKTRONIKGEBER RELE ELECTRONICO
2	60114392	1	0000-00	THREADED UNION	RACCORDO VISSE	VERSCHRAUBUNG UNION ROSC P/TUBO
3	60114393	1	5020-53	THRUST ROD	RACCORDO FILETT.	DRUCKSTANGE VARILLA PRESION
4	60116040	1	5020-53	GASKET DIAM=12X17X1,5MM	PUNTALE	DICHTUNG JUNTA
5	60116041	1	5020-53	GASKET DIAM=12X17X1,5MM	GUARNIZIONE	DICHTUNG JUNTA

IVECO

Cab Electrical Equipment
Equipement électrique cabine
Elektrische Anlage für Fahrerhaus
Impianto elettrico cabina
Equipo eléctrico cabina

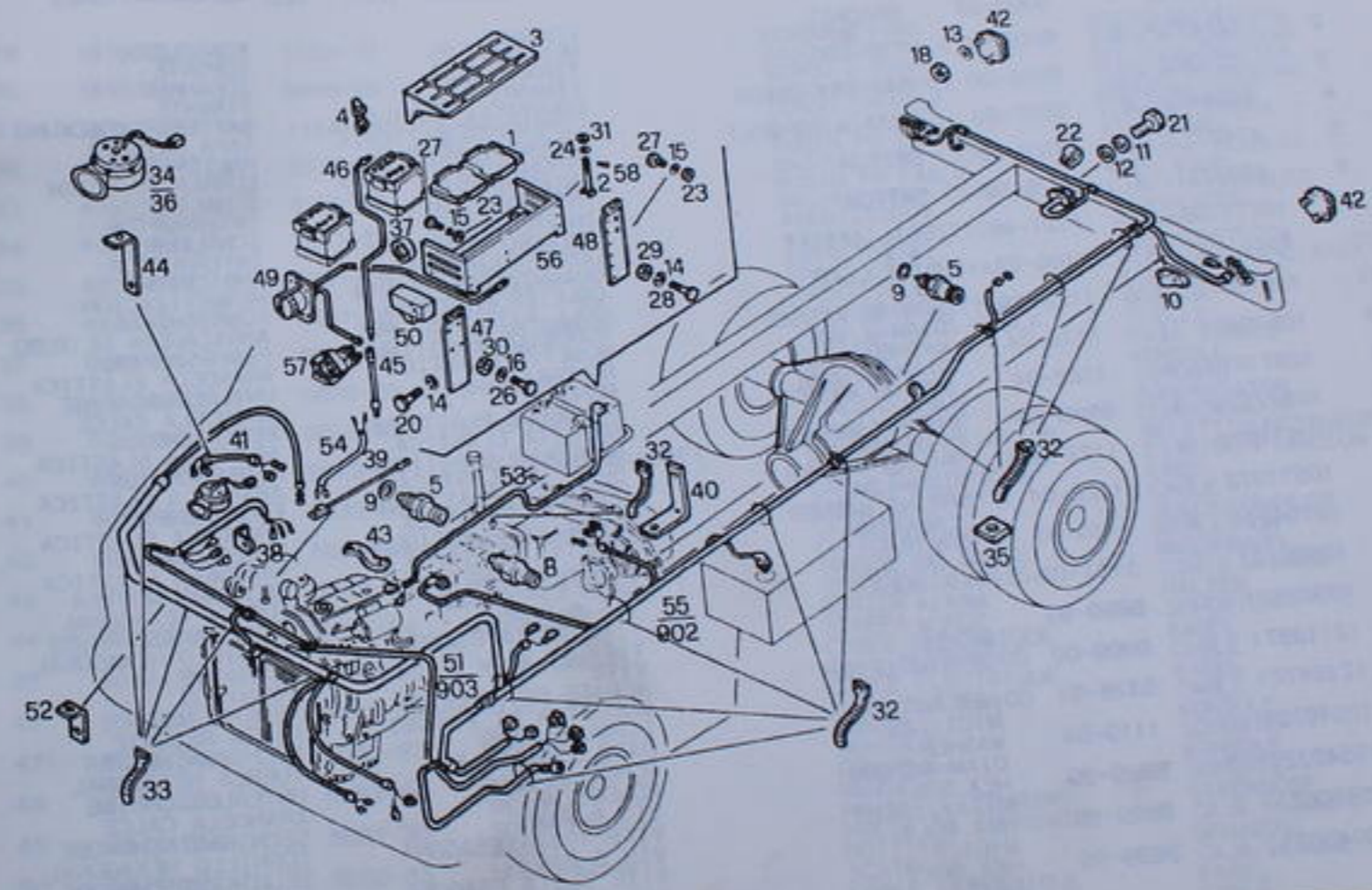
5000-83 627 8813



IVECO

Frame Electrical Equipment
Équipement électrique chassis
Elektrische Anlage für Fahrgestell
Impianto elettrico telaio
Equipo eléctrico chassis

5000-83 627 8815



IVECO
PARTS

DATE 20-12-90 SUBGROUP 5000-83 6278815

PAGE 1

DESCRIPTIONS AND REMARKS

ITEM	P. NUMBER	QTY	TO-NR COD PROT	DESCRIPTION REMARK	DESIGNATION DESCRIZIONE	BENENNING DENOMINATIONES
1	1374198	1	5000-83	BRACKET TOP	CONSOLE MENSOLA	KONSOLE SOPORTE
2	1374203	6	5000-00	TIE ROD	TIRANTE	ZUGANKER
3	1374206	1	0000-00	BATTERY COVER	TIRANTE	TIRANTE
4	4605163	2	5097-83	RETAINING BELT	COUVERCLE BATTERIE COPERTILO BATTERIA	BATTERIEABDECKUNG TAPA BATERIA
5	4748123	2	5020-83	SWITCH	CORROIE SOUTIEN CINGHIA DI FISSAGG	HALTERIEMEN CORREA SUJECION
8	4808331	1	5376-50	SWITCH	INTERRUPTEUR INTERRUPTORE	SCHALTER INTERRUPTOR
9	10279760	1	1107-48	SEAL GASKET	INTERRUPTEUR INTERRUPTORE	SCHALTER INTERRUPTOR
10	10441490	1	1160-07	PIPE CLIP	INTERRUPTEUR INTERRUPTORE	SCHALTER INTERRUPTOR
11	10516673	1	1122-04	SPRING WASHER DIAM=8, 1MM	JOINT ETANCHEITE GUARNIZIONE TENUTA	ABDICHTUNG HERMETIZACION
12	10519401	1	1110-04	WASHER DIAM=6X12MM	COLLIER PR TUBES COLL. FISS. TUBI MET	ROHRSCHELLE ABRAZADERA DE TUBO
13	10571371	1	1122-04	SPRING WASHER DIAM=12MM	RONDELLE ELASTIQUE ROSETTA ELASTICA	FEDERSCHEIBE ARANDELA ELASTICA
14	10571574	1	8899-99	SPRING WASHER DIAM=6MM	RONDELLE RONDELLA	ARANDELA CALCE FEDERSCHEIBE
15	10571873	1	1122-04	SPRING WASHER DIAM=10MM	RONDELLE ELASTIQUE ROSETTA ELASTICA	ARANDELA ELASTICA FEDERSCHEIBE
16	10571973	1	1122-04	SPRING WASHER DIAM=12MM	RONDELLE ELASTIQUE ROSETTA ELASTICA	ARANDELA ELASTICA FEDERSCHEIBE
18	10794011	1	1110-03	HEX. NUT M 4X0.7	RONDELLE ELASTIQUE ROSETTA ELASTICA	ARANDELA ELASTICA FEDERSCHEIBE
20	10902121	1	1101-02	HEX. BOLT M6X14	ECROU 6 PANS DADO ESAGONALE	ARANDELA ELASTICA SECHSKANTMUTTER
21	10902621	1	8899-99	SCREW M6X25	VITE 6 PANS VITE TESTA ESAGONA	SECHSKANTSCHRAUBE TORNILLO HEXAGONAL
22	12118871	1	0000-00	SPRING CLAMP	VITE VITE	SCHRAUBE TORNILLO
23	12164721	1	5376-01	HEX. NUT M10X1.25	AGRAFE DE RESSORT MOLLETTA DI FISSAG	FEDERKLAMMER PINZA RESORTE
24	12646701	1	1110-04	WASHER DIAM=8X20MM	ECROU 6 PANS DADO ESAGONALE	SECHSKANTMUTTER TUERCA HEXAGONAL
26	15540321	1	8899-99	HEX. BOLT M12X1.25X25	RONDELLE RONDELLA	SECHSKANTMUTTER TUERCA HEXAGONAL
27	15970621	1	8899-99	HEX. BOLT M10X22	VITE 6 PANS VITE TESTA ESAGONA	SECHSKANTSCHRAUBE TORNILLO HEXAGONAL
28	16043521	1	8899-99	HEX. BOLT M8X22	VITE 6 PANS VITE TESTA ESAGONA	SECHSKANTSCHRAUBE TORNILLO HEXAGONAL

IVECO
PARTS

DATE 20-12-90 SUBGROUP 5000-83 6278815

PAGE 2

DESCRIPTIONS AND REMARKS

ITEM	P. NUMBER	QTY	TO-NR COD PROT	DESCRIPTION REMARK	DESIGNATION DESCRIZIONE	BENENNING DENOMINATIONES
29	16100821	1	1103-10	HEX. NUT M 8	ECROU 6 PANS DADO ESAGONALE	SECHSKANTMUTTER TUERCA HEXAGONAL
30	16101521	1	8899-99	HEX. NUT M12	ECROU 6 PANS DADO ESAGONALE	SECHSKANTMUTTER TUERCA HEXAGONAL
31	16108911	1	1124-03	CASTLE NUT M8	ECROU CRENELE DADO A CORONA	KRONENMUTTER TUERCA CORONA
32	41800381	30	8976-72	CABLE STRAP L=375MM	RUBAN PR CABLE NASTRO SERR. CAVI	KABELBAND CINTA ATACABLES
33	41801117	60	8976-72	CABLE STRAP L=175MM	RUBAN PR CABLE NASTRO SERR. CAVI	KABELBAND CINTA ATACABLES
34	42025589	1	7611-22	HORN 24V HELLA	AVERTISSEUR AVVISAT ACUSTICO	SIGNALHORN BOCINA
35	42031543	8	5091-29	SPACER 35X35X12	ENTRETOISE SPESS. DISTANZIALE	ABSTANDSTUECK PIEZA DISTANCIARIA
36	42047451	1	5021-82	HORN 24V BOSCH	AVERTISSEUR AVVISAT ACUSTICO	SIGNALHORN BOCINA
37	60108347	1	5000-00	GROMMET	DOUILLE PASS. CABLE PASSACAVI	TUELLE PASA CABLES
38	60114982	1	5000-00	BRACKET	CONSOLE MENSOLA	KONSOLE SOPORTE
39	60115457	1	5020-83	CONDENSER	CONDENSATEUR CONDENSATORE	KONDENSATOR KONDENSADOR
40	60115854	1	5020-72	FASTENING BRACKET	ETRIER DE FIXATION STAFFA DI FISSAGG.	BEFESTIGUNGSBUEGEL ESTRIBO FIJACION
41	60135882	1	5030-83	WIRE/CABLE	CABLE ELECTRIQUE CAVO ELETTRICO	KABEL CABLE
42	60136423	2	5020-83	REAR REFLECTOR	CATAPHOTE CATADIOTTRO	RUECKSTRAHLER REFLECTOR
43	60137751	1	5532-83	EARTH LEAD	TRESSE DE MASSE TRECCIA DI MASSA	MASSEBAND CINTA A MASA
44	60139691	1	5020-64	RETAINER	ETRIER STAFFA	HALTER SOPORTE
45	60141363	1	5083-30	WIRE/CABLE	CABLE ELECTRIQUE CAVO ELETTRICO	KABEL CABLE
46	60141364	1	5083-30	WIRE/CABLE	CABLE ELECTRIQUE CAVO ELETTRICO	KABEL CABLE
47	60141502	1	5083-97	BRACKET FRONT	CONSOLE MENSOLA	KONSOLE SOPORTE
48	60141503	1	5083-90	BRACKET REAR	CONSOLE MENSOLA	KONSOLE SOPORTE
49	60141508	1	5083-30	SOCKET ASSY	PRISE DE COURANT PRESA DI CORRENTE	STECKDOSE CAJA ENCHUFE
50	60145427	1	5090-83	HOUSING	BOITIER SCATOLA	GEHAUSE CAJA/BLOQUE/CUERPO
51	60146272	1	5030-83	WIRE/CABLE	CABLE ELECTRIQUE CAVO ELETTRICO	KABEL CABLE

IVECO
PARTS

DATE 01-12-80 SUBGROUP 5000-83 6278915
DESCRIPTIONS AND REMARKS

PAGE 3

ITEM	P. NUMBER	QTY	TO-NR COD PROT	DESCRIPTION REMARK	DESIGNATION DESCRIZIONE	BENENNUNG DENOMINACIONES
52	60146768	1	5090-83	RETAINER	ETRIER	HALTER
53	60146796	1	5030-83	WIRE/CABLE	STAFFA	SOPORTE
54	60151449	1	5040-83	WIRE/CABLE	CABLE ELECTRIQUE	KABEL
55	60153203	1	5030-83	WIRE/CABLE	CAVO ELETTRICO	CABLE
56	60154493	1	5097-83	SET OF WIRING ASSY	CABLE ELECTRIQUE	KABEL
57	60156566	1	5034-80	BATTERY CASE	CAVO ELETTRICO	KABELSATZ
58	16853801	1	1106-05	SWITCH	JEU DE CABLES	LOTE CABLE
902	.				FASCIO CAVI	BATTERIEKASTEN
903	.				CAISSE DE BATTERIE	CAJA BATERIAS
					INTERRUPTEUR	SCHALTER
					INTERRUTTORE	INTERRUPTOR
					GOPIGLIA	SPLINT
						PASADOR ALETAS
					SEE PL 5058-83	6278840
					SEE PL 5058-83	6278839

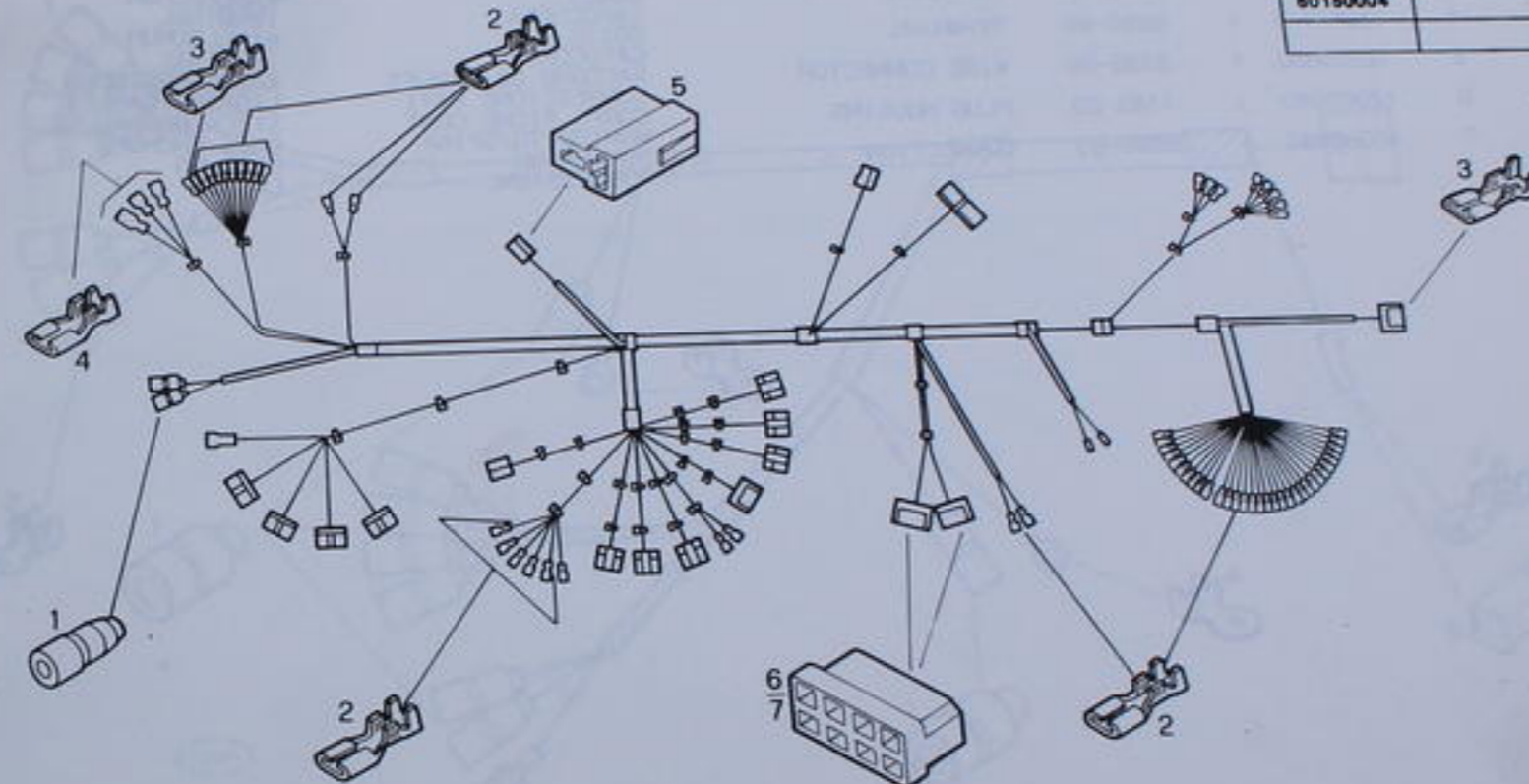
IVECO

Set of wirig.
Jeu de cables
Kabelsatz
Fascio cavi
Lote cable



5058-83 627 8817

ASSY NR. *	
60146357	
60153779	
60150004	



72292

IVECO
PARTS

DATE 0-12-90 SUBGROUP 5058-83 6278817

PAGE 1

DESCRIPTIONS AND REMARKS

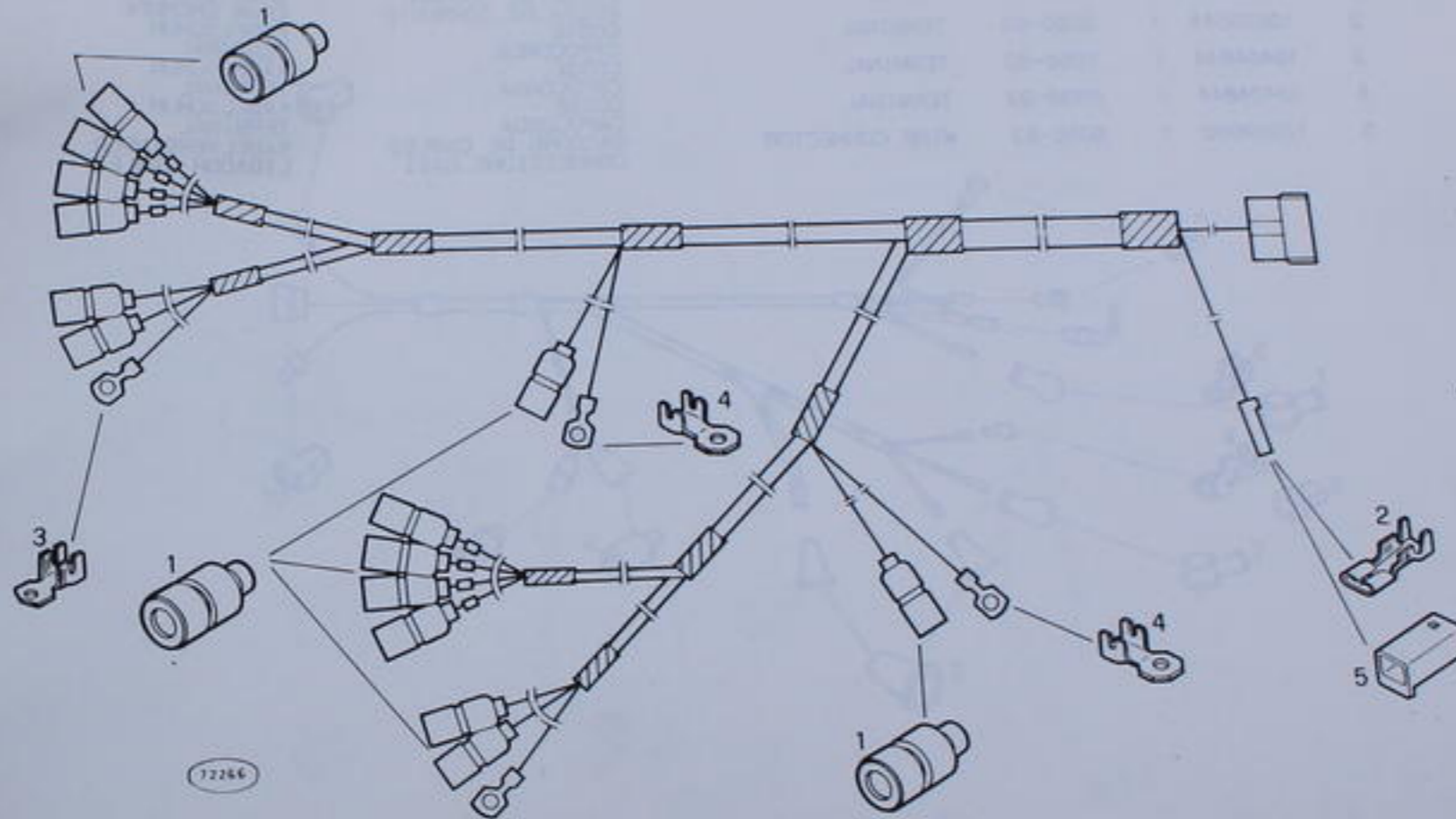
ITEM	P. NUMBER	QTY	TO-NR COD PROT	DESCRIPTION REMARK	DESIGNATION DESCRIZIONE	BENENNUNG DENOMINATIONES
1	4737753	2	5058-83	SOCKET	PRISE DE COURANT PRESA DI CORRENTE	STECKDOSE CAJA ENCHUFE
2	10249744	1	8899-99	TERMINAL	COSSE	KABELSCHUH
3	10250544	1	5000-83	TERMINAL	CAPOCORDA	TERMINAL
4	12057744	1	8899-99	TERMINAL	COSSE	KABELSCHUH
5	12059880	1	8899-99	WIRE CONNECTOR	CAPOCORDA	KABELSCHUH
6	12060680	1	1183-20	PLUG HOUSING	RACCORD DE CABLES CONNESSIONE CAVI	KABELVERBINDER LIGADOR CABLES
7	12060687	1	8899-99	CONNECTION	CORPS FIORE CONT MANICOTTO/SPINA CONNESSIONE	STECKERGEHAEUSE CAJA ENCHUFE LEITUNG CABLE

IVECO

Set of wiring
Jeu de cables
Kabelsatz
Fascio cavi
Lote cable



5058-83 627 8834



IVECO
PARTS

DATE 12-00 SUBGROUP 5058-83 6278834

PAGE 1

DESCRIPTIONS AND REMARKS

ITEM	P. NUMBER	QTY	TO-NR COD PROT	DESCRIPTION REMARK	DESIGNATION DESCRIZIONE	BENENNUNG DENOMINATIONES
1	4737753	14	5058-83	SOCKET	PRISE DE COURANT PRESA DI CORRENTE	STECKDOSE CAJA ENCHUFE
2	10250544	1	5000-83	TERMINAL	COSSE	KABELSCHUH
3	10404644	1	5058-83	TERMINAL	CAPOCORDA COSSE	TERMINAL KABELSCHUH
4	10404844	1	8899-99	TERMINAL	CAPOCORDA COSSE	TERMINAL KABELSCHUH
5	12059080	1	5058-83	WIRE CONNECTOR	RACCORD DE CABLES CONNESSIONE CAVI	TERMINAL KABELVERBINDER

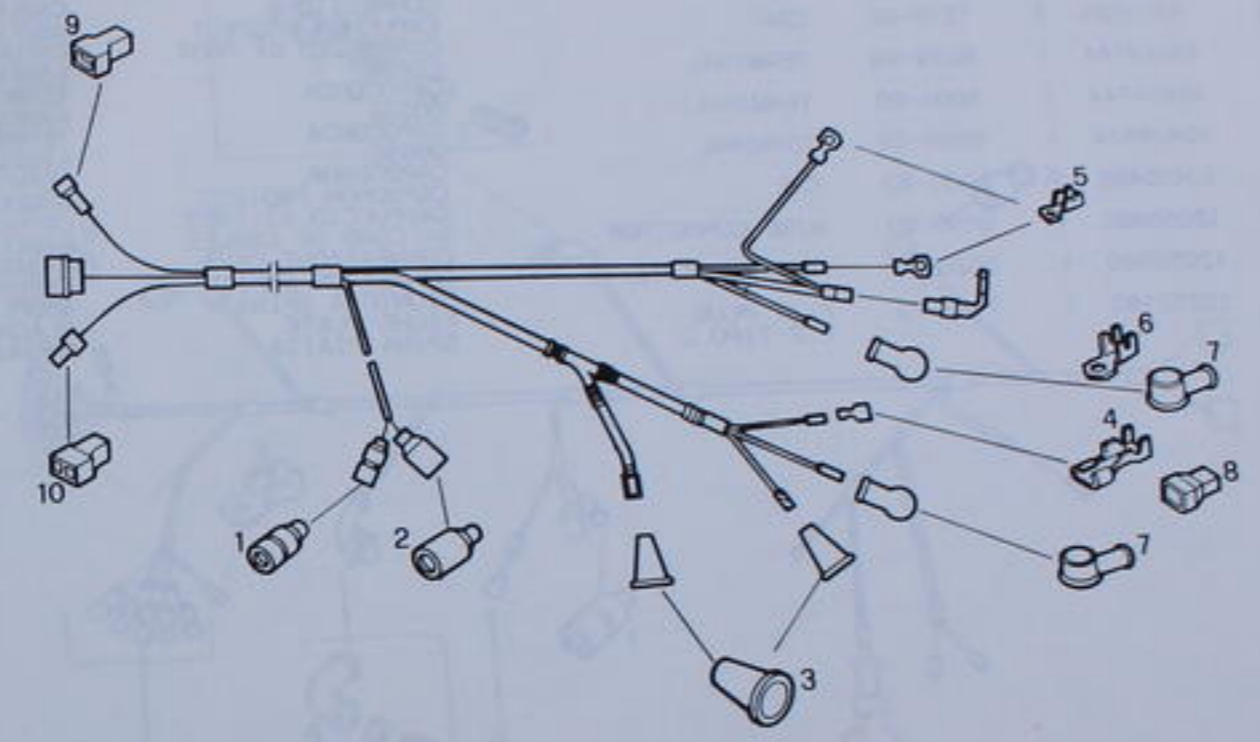
IVECO

Set of wiring
Jeu de cables
Kabelsatz
Fascio cavi
Lote cable



5058-83 627 8839

ASBY 1480148272-80148274



IVECO
PARTS

DATE 20-12-90 SUBGROUP 5058-83 6278839
DESCRIPTIONS AND REMARKS

PAGE 1

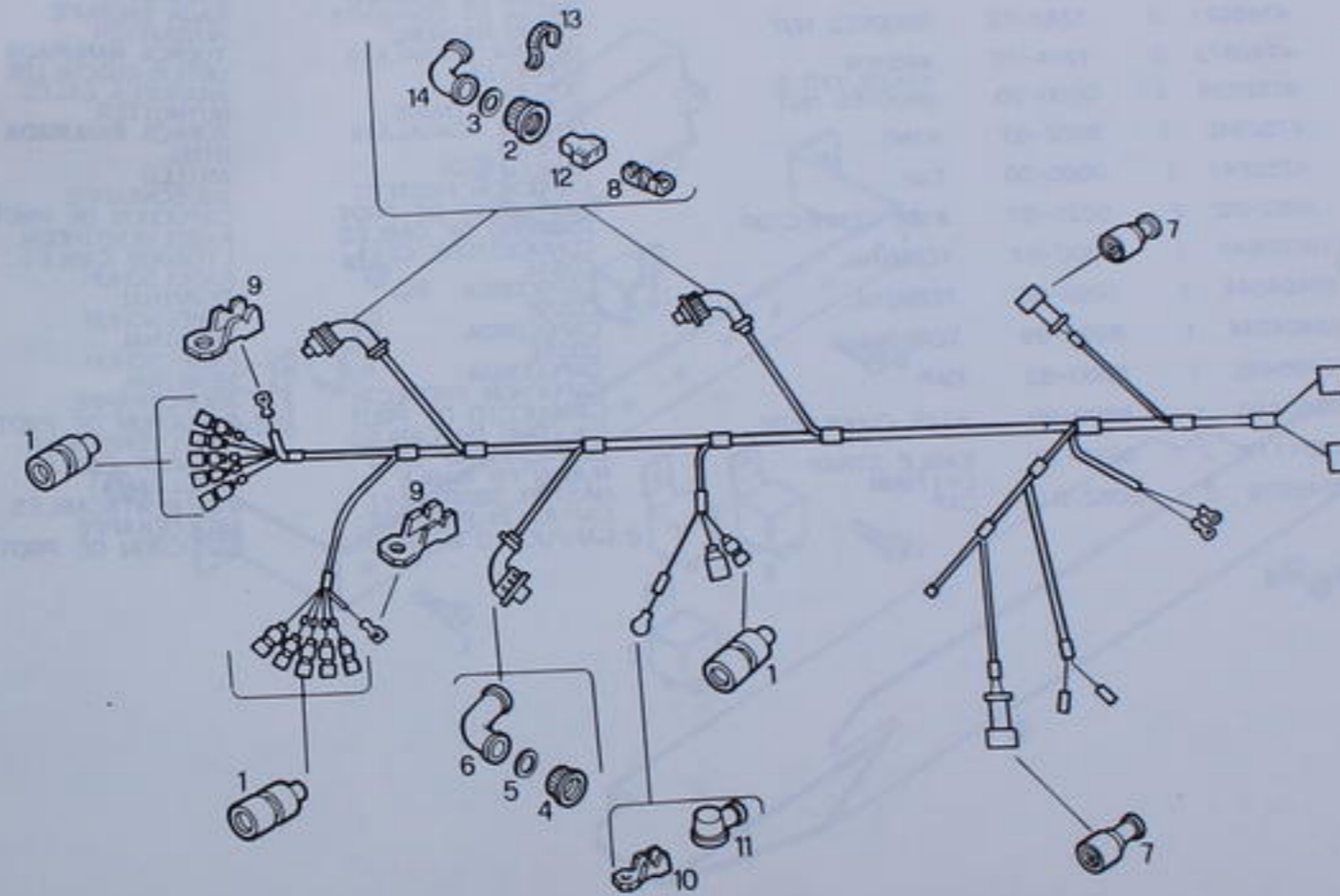
ITEM	P. NUMBER	QTY	TO-NR COD PROT	DESCRIPTION REMARK	DESIGNATION DESCRIZIONE	BENENNING DENOMINAZIONE
1	1398797	1	5020-64	CONNECTION	CONNESSIONE	LEITUNG
2	4050831	1	5020-83	CONNECTION	CONNESSIONE	CABLE
3	4414024	2	1216-82	CAP	CONNESSIONE	LEITUNG
4	10249744	1	8899-99	TERMINAL	CAPUCHON PROTECT CAPPUCETTO DI PROT.	CABLE
5	10404744	1	5000-00	TERMINAL	COSSE	ABDECKKAPPE CAPUCHON DE PROTEC
6	10404844	1	8899-99	TERMINAL	CAPOCORDA	KABELSCHUH
7	10405485	1	5000-83	CAP	COSSE	TERMINAL
8	12055880	1	8899-99	WIRE CONNECTOR	CAPOCORDA	KABELSCHUH
9	12058980	1	5020-83	PLUG COUPLING	CAPUCHON PROTECT CAPPUCETTO DI PROT.	TERMINAL
10	12272180	1	1183-70	FLAT PLUG F.2-TIPO C	RACCORD DE CABLES CONNESSIONE CAVI CONNESSIONE ENFICH GIUNTO A SPINA FICHE PLATE SPINA PIATTA	ABDECKKAPPE CAPUCHON DE PROTEC KABELVERBINDER LIGADOR CABLES STECKKUPPLUNG ACDPLAM. ENCHUFE FLACHSTECKER ENCHUFE PLANO

IVECO

Set of wiring
Jeu de cables
Kabelsatz
Fascio cavi
Lote cable



5058-83 6278840



IVECO
PARTS

DATE 02-12-90 SUBGROUP 5058-83 6278840
DESCRIPTIONS AND REMARKS

PAGE 1

ITEM	P. NUMBER	QTY	TO-NR COD PROT	DESCRIPTION REMARK	DESIGNATION DESCRIZIONE	BENENNUNG DENOMINATIONES
1	4737753	7	5058-83	SOCKET	PRISE DE COURANT PRESA DI CORRENTE	STECKDOSE CAJA ENCHUFE
2	4740571	2	1242-79	GROOVED NUT	ECROU RAINURE GHIERA SCANALATA	NUTMUTTER TUERCA RANURADA
3	4740573	2	1204-10	WASHER	RONDELLE	UNTERLEGSCHIEBE ARANDELA CALCE
4	4752639	1	0000-00	GROOVED NUT	ECROU RAINURE GHIERA SCANALATA	NUTMUTTER TUERCA RANURADA
5	4752640	1	5052-81	RING	ANNEAU	RING
6	4752641	1	0000-00	CAP	ANELLO	ANILLO
7	4802402	2	5020-83	WIRE CONNECTOR	CAPUCHON PROTECT CAPPUCIO DI PROT.	ABDECKKAPPE CAPUCHON DE PROTEC
8	10250544	1	5000-83	TERMINAL	RACCORD DE CABLES CONNESSIONE CAVI	KABELVERBINDER LIGADOR CABLES
9	10404644	1	5058-83	TERMINAL	COSSE	KABELSCHUH TERMINAL
10	10404844	1	8899-99	TERMINAL	COSSE	KABELSCHUH TERMINAL
11	10405485	1	5000-83	CAP	CAPPUCIO DI PROT.	ABDECKKAPPE CAPUCHON DE PROTEC
12	12060480	1	8899-99	WIRE CONNECTOR	RACCORD DE CABLES CONNESSIONE CAVI	KABELVERBINDER LIGADOR CABLES
13	41801117	2	8976-72	CABLE STRAP L=179MM	RUBAN PR CABLE NASTRO SERR. CAVI	KABELBAND CINTA ATACABLES
14	42046579	2	5052-81	CAP	CAPPUCIO DI PROT.	ABDECKKAPPE CAPUCHON DE PROTEC

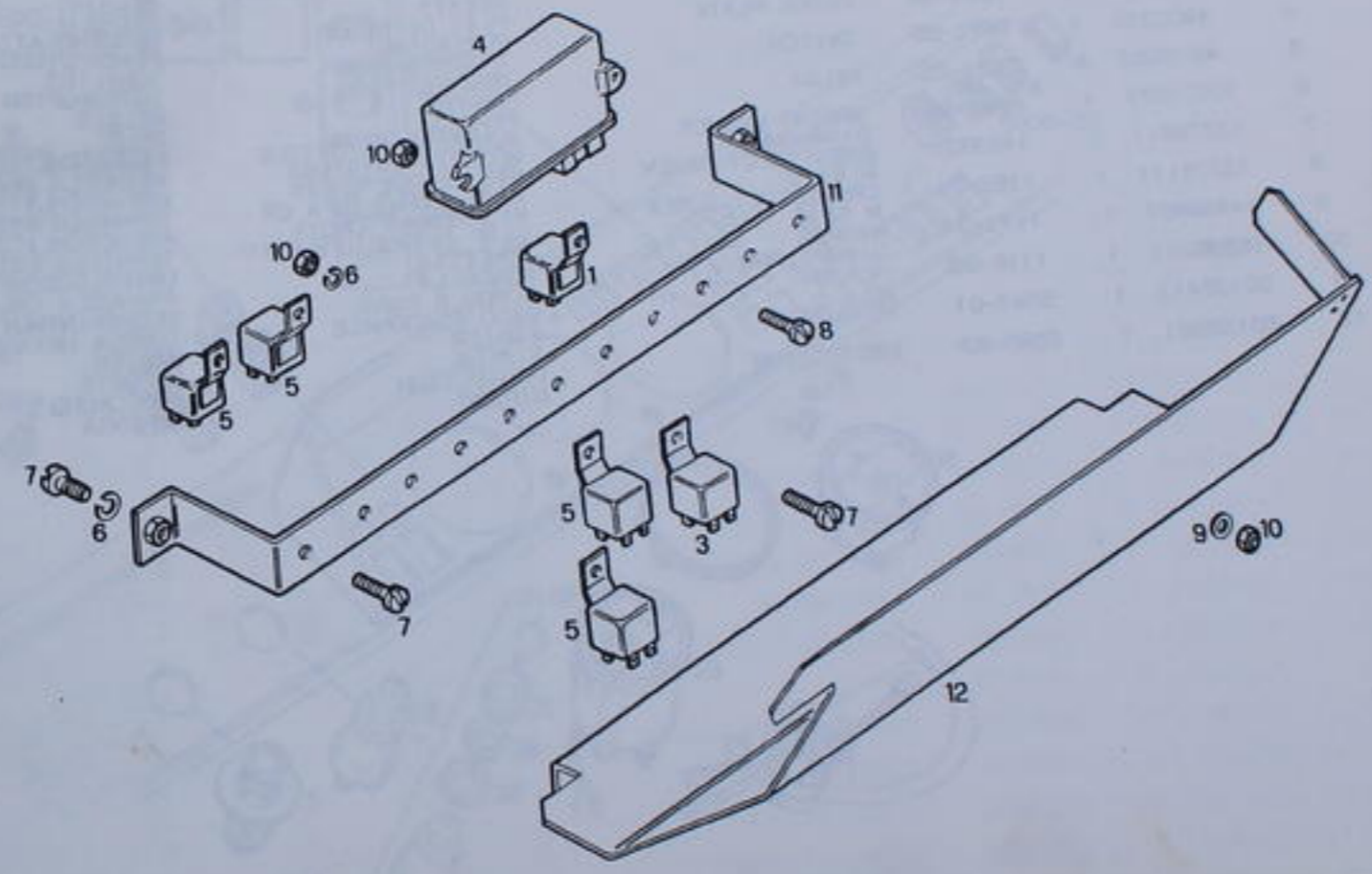
IVECO

Electronic Control Unit
Dispositif de commande électronique
Zentralelektronik
Centralina elettronica
Central electrónica

Components
Pièces
Teile
Parti
Piezas



5051-83 627 8848



IVECO
PARTS

DATE 05-12-90

SUBGROUP 5051-83

6278848

PAGE 1

DESCRIPTIONS AND REMARKS

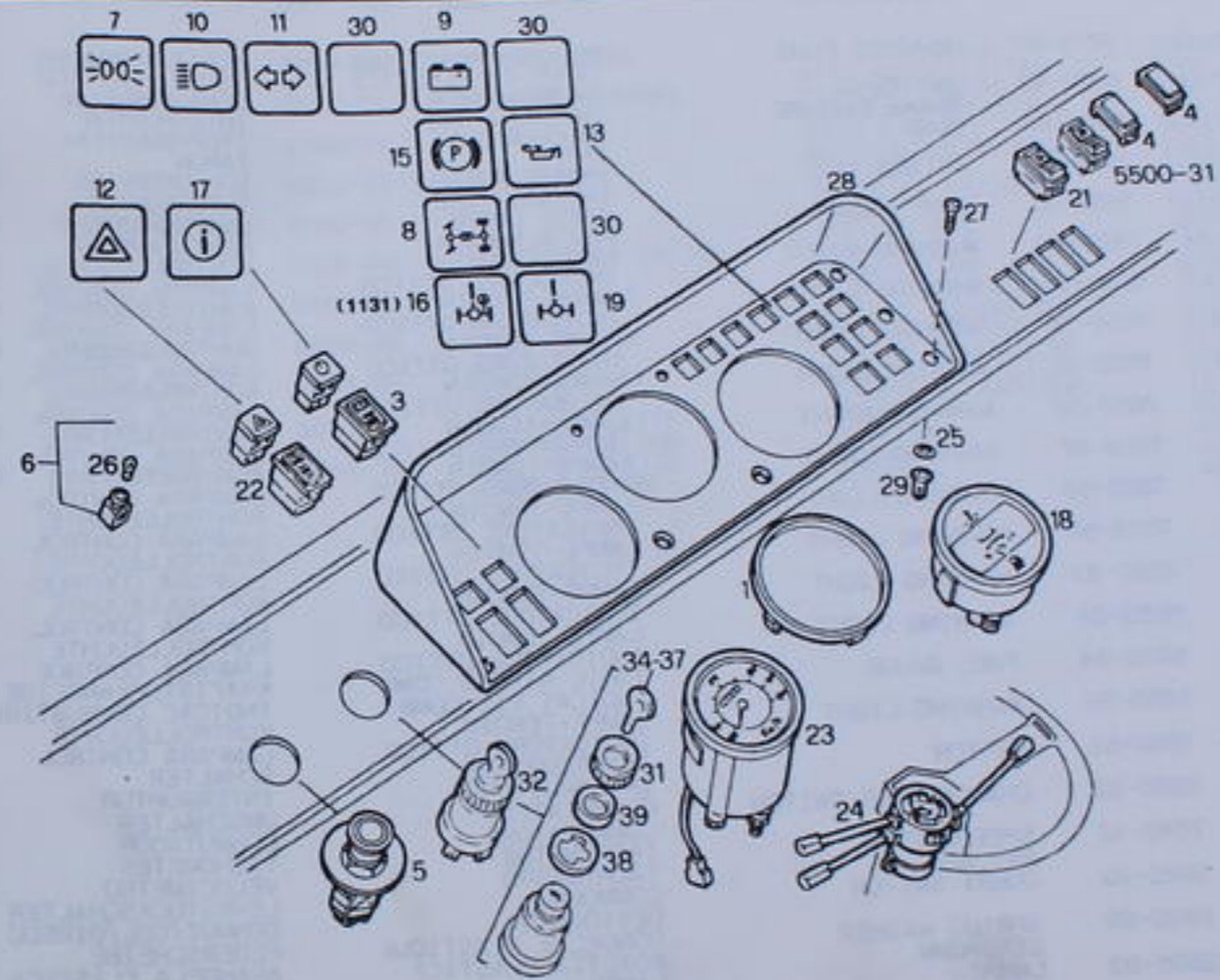
ITEM	P. NUMBER	QTY	TO-NR COD PROT	DESCRIPTION REMARK	DESIGNATION DESCRIZIONE	BENENNING DENOMINATIONES
1	4718219	1	5020-83	RELAY	RELAIS	RELAIS
3	4746010	1	7661-00	24V/10A DIODE PLATE	RELAIS RELE PLAT DE DIODE PORTADIODI PLACA DIODOS	RELE DIODENPLATTE PLACA DIODOS
4	4808330	1	7671-55	SWITCH	INTERRUPTEUR INTERRUTTORE	SCHALTER INTERRUPTOR
5	4810652	4	7631-25	RELAY	RELAIS	RELAIS
6	10571574	1	8899-99	SPRING WASHER	RELAIS	RELE
7	13276011	1	1163-01	DIAM-6MM CROSS-SLOT SCREW	RODELLE ELASTIQUE	FEDERSCHEIBE
8	13276111	1	1163-01	M 6X12 CROSS-SLOT SCREW	ROSETTA ELASTICA	ARANDELA ELASTICA
9	14496401	1	1111-04	M 6X16 WASHER	VIS FENDUE CROIX	KREUZSCHLITZSCHRB.
10	15896211	1	1110-03	DIAM-6,4MM HEX NUT	VITE INTAGLIO A CR	TORNILLO ESTRELLA
11	60136413	1	5644-01	M6 RETAINER	VITE FENDUE CROIX	KREUZSCHLITZSCHRB.
12	60138081	1	5590-83	PROTECTION	VITE INTAGLIO A CR	TORNILLO ESTRELLA
					RONDELLE	UNTERLEGSCHIEBE
					ECROU 6 PANS	ARANDELA CALCE
					DADO ESAGONALE	SECHSKANTMUTTER
					ETRIER	TUERCA HEXAGONAL
					STAFFA	HALTER
					PROTECTION	SOPORTE
					RIPARO	ABDECKUNG
						DEFENSA

IVECO

Dashboard Equipment
Equipement du tableau de bord
Instrumententafel
Pannello strumenti
Tablero de instrumentos



5001-83 627 8849



IVECO
PARTS

DATE 20-12-90

SUBGROUP 5001-83

6278849

PAGE 1

DESCRIPTIONS AND REMARKS

ITEM	P. NUMBER	QTY	TO-NR COD PROT	DESCRIPTION REMARK	DESIGNATION DESCRIZIONE	BENENNING DENOMINACIONES
1	1391126	1	5001-83	PLASTIC PLUG	BOUCHON PLASTIQUE TAPPO DI PLASTICA	PLASTIKSTOPFEN TAPON PLASTICO
3	4449643	1	5020-83	SWITCH	INTERRUPTEUR INTERRUPTORE	SCHALTER INTERRUPTOR
4	4674110	2	5001-83	BRAKE FAILURE PLUG	STOPFEN BOUCHON	STOPFEN TAPON
5	4782633	1	5020-83	SWITCH	TAPPO INTERRUPTEUR	SCHALTER INTERRUPTOR
6	4792874	11	7650-58	LAMP SOCKET	INTERRUTTORE PORTE LAMPE	INTERRUPTEUR LAMPENFASSUNG
7	4798680	1	7658-50	24V 2W WARNING LIGHT	PORTALAMPADA LAMPE-TEMOIN	PORTALAMPARA KONTROLLEUCHTE
8	4798682	1	5020-64	WARNING LIGHT	LAMPARE OTTICO LAMPE-TEMOIN	LAMPARA CONTROL KONTROLLEUCHTE
9	4798693	1	7658-50	WARNING LIGHT	INDICATORE OTTICO LAMPE-TEMOIN	LAMPARA CONTROL KONTROLLEUCHTE
10	4798694	1	7650-58	WARNING LIGHT	INDICATORE OTTICO LAMPE-TEMOIN	LAMPARA CONTROL KONTROLLEUCHTE
11	4798695	1	7650-58	WARNING LIGHT	INDICATORE OTTICO LAMPE-TEMOIN	LAMPARA CONTROL KONTROLLEUCHTE
12	4798696	1	7658-50	WARNING LIGHT	INDICATORE OTTICO LAMPE-TEMOIN	LAMPARA CONTROL KONTROLLEUCHTE
13	4798699	1	7650-58	WARNING LIGHT	INDICATORE OTTICO LAMPE-TEMOIN	LAMPARA CONTROL KONTROLLEUCHTE
15	4798708	1	7658-50	WARNING LIGHT	INDICATORE OTTICO LAMPE-TEMOIN	LAMPARA CONTROL KONTROLLEUCHTE
16	4798743	1	5020-83	WARNING LIGHT	INDICATORE OTTICO LAMPE-TEMOIN	LAMPARA CONTROL KONTROLLEUCHTE
17	4798752	1	5020-64	WARNING LIGHT	INDICATORE OTTICO LAMPE-TEMOIN	LAMPARA CONTROL KONTROLLEUCHTE
18	4808227	1	5020-64	FUEL GAUGE	INDICATORE OTTICO LAMPE-TEMOIN	LAMPARA CONTROL KONTROLLEUCHTE
19	4810995	1	7650-58	WARNING LIGHT	INDICATORE OTTICO INDIC NIVEAU COMB	LAMPARA CONTROL KONTROLLEUCHTE
21	4832355	1	7600-52	SWITCH	INDICAT. LIV. COMB. LAMPE-TEMOIN	KRAFTSTOFFANZEIGE INDICAC. COMBUSTIBL
22	4832641	1	5000-83	CHANGE-OVER SWITCH	INDICATORE OTTICO INTERRUPTEUR	KONTROLLEUCHTE LAMPARA CONTROL
23	4845494	1	7640-12	SPEEDOMETER	INTERRUTTORE COMMUTATEUR	SCHALTER INTERRUPTOR
24	8964755	1	5020-80	R=1.525 COMBI SWITCH	COMMUTATORE TACHYMETRE	UMSCHALTER COMMUTADOR
25	13336307	1	8899-99	SPRING WASHER	TACHIMETRO COMMO	TACHOMETER VELOCIMETRO
26	14142490	1	8899-99	DIAM=6MM LAMP	DEVIOGUIDA RONDELLE ELASTIQUE	LENKSTOCKSCHALTER CONMUT./COL./DIRECC
				24V 4W	ROSETTA ELASTICA LAMPE	FEDERSCHEIBE ARANDELA ELASTICA
					LAMPADA	LAMPE LAMPARA

IVECO
PARTS

DATE 20-12-90

SUBGROUP 5001-83

6278849

PAGE 2

DESCRIPTIONS AND REMARKS

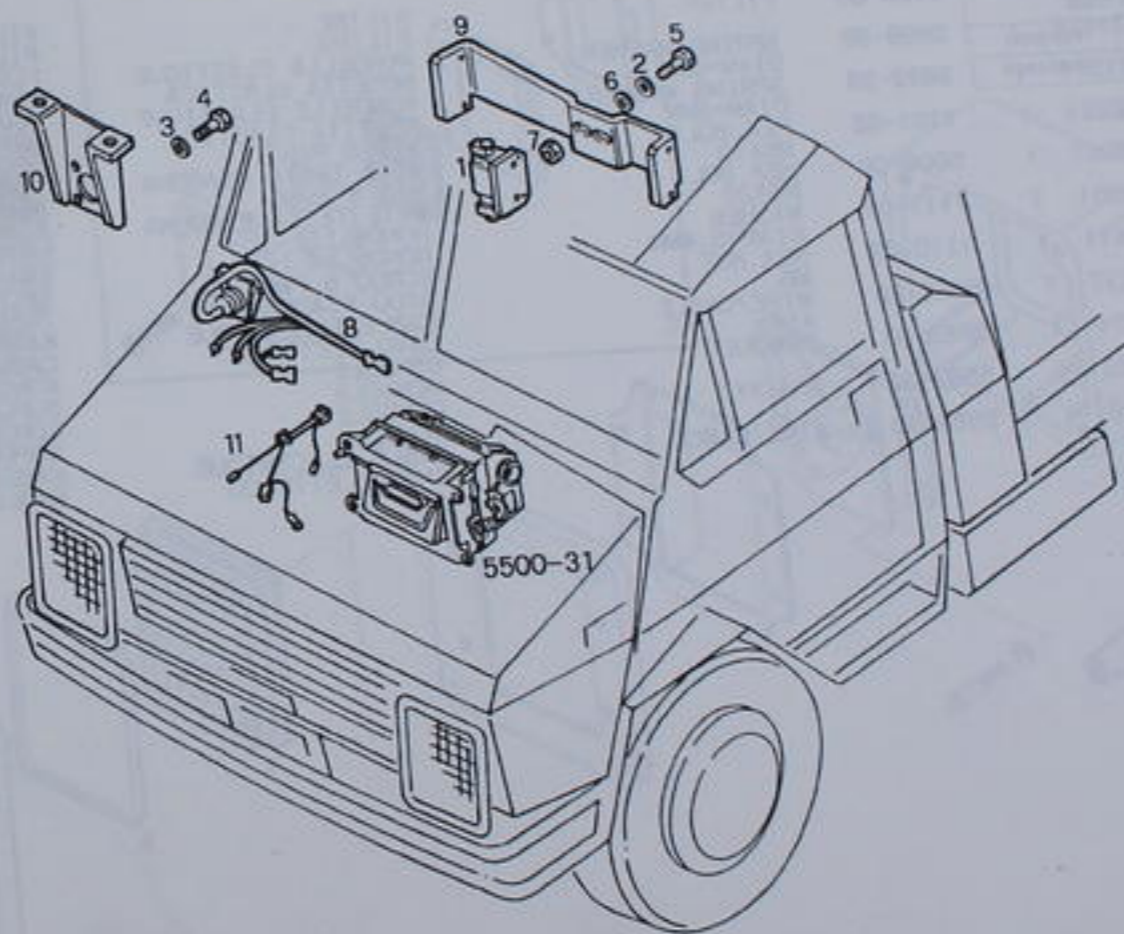
ITEM	P. NUMBER	QTY	TO-NR COD PROT	DESCRIPTION REMARK	DESIGNATION DESCRIZIONE	BENENNING DENOMINACIONES
27	15909401	1	8899-99	CUTTING SCREW	VIS TARAUDEUSE VITE AUTOFILETTAN.	SCHNEIDSCHRAUBE TORN. AUTORROSCANTE
28	60138708	1	5527-24	INSTRUMENT PANEL	PLANCHE DEBORD PLANCIA PORTASTRUM	ARMATURENTAFEL TABLERO INSTRUMENT
29	14115480	1	1108-91	CHOCK	COIN D'ARRET BLOCCETTO DI FISS	BEFESTIGUNGSKLOTZ TACO FIJACION
30	4814456	3	5020-83	LOCK PLUG	BOUCHON TAPPO DI CHIUSURA	VERSCHLUSSSTOPFEN TAPON OBTURADOR
31	4200585	1	0000-00	RING	ANNEAU ANELLO	RING ANILLO
32	4201374	1	0000-00	CHANGE-OVER SWITCH	COMMUTATEUR COMMUTATORE	UMSCHALTER COMMUTADOR
34	14690571	1	8899-99	IGNITION KEY	CLE DE CONTACT CHIAVE ACCENSIONE	ZUENDSCHLUESSEL LLAVE CONTACTO
35	14690572	1	8899-99	SERIE E IGNITION KEY	CLE DE CONTACT CHIAVE ACCENSIONE	ZUENDSCHLUESSEL LLAVE CONTACTO
37	14690574	1	8899-99	SERIE F IGNITION KEY	CLE DE CONTACT CHIAVE ACCENSIONE	ZUENDSCHLUESSEL LLAVE CONTACTO
38	60142922	1	5001-83	SERIE H COLLAR/ROSETTE	ROSETTE ROSETTA	ROSETTE ARANDELA
39	60159564	1	1204-10	DIAM=40X22.5MM COLLAR/ROSETTE DIAM=26X36MM	ROSETTE ROSETTA	ROSETTE ARANDELA

IVECO

Frame Electrical Equipment
Équipement électrique chassis
Elektrische Anlage für Fahrgestell
Impianto elettrico telaio
Equipo eléctrico chasis

06 627 7721

5000-83 627 8860



IVECO
PARTS

DATE 20-12-99

SUBGROUP 5000-83

6278860

PAGE 1

DESCRIPTIONS AND REMARKS

ITEM	P. NUMBER	QTY	TO-NR COD PROT	DESCRIPTION REMARK	DESIGNATION DESCRIZIONE	BENENNING DENOMINAZIONE
1	4699262	3	5020-83	FILTER	FILTRE	FILTER
2	10571479	1	8899-99	SPRING WASHER DIAM=5MM	RONDELLE ELASTIQUE	FEDERSCHEIBE
3	10571574	1	8899-99	SPRING WASHER DIAM=6MM	RONDELLE ELASTIQUE	ARANDELA ELASTICA
4	10902221	1	1101-02	HEX. BOLT M6X16	VITE TESTA ESAGONA	SECHSKANTSCHRAUBE
5	10978021	1	5000-00	HEX. BOLT M5X20	VITE TESTA ESAGONA	SECHSKANTSCHRAUBE
6	14496301	1	1111-04	WASHER DIAM=5.4MM	RONDELLE	ARANDELA CALCE
7	15896411	1	1110-03	HEX. NUT M5	ECROU 6 PANS	SECHSKANMUTTER
8	60141237	1	5583-30	WIRE/CABLE ASSY	CABLE ELECTRIQUE	TUERCA HEXAGONAL
9	60141374	1	5583-91	BRACKET	CONSOLE	KABEL
10	60141563	1	5503-32	BRACKET	MENSOLA	KONSOLE
11	60153910	1	5583-30	WIRE/CABLE	CABLE ELECTRIQUE	KONSOLE
					CAVO ELETTRICO	KABEL

IVECO

Headlamp
Projecteur
Scheinwerfer
Proiettore
Projector

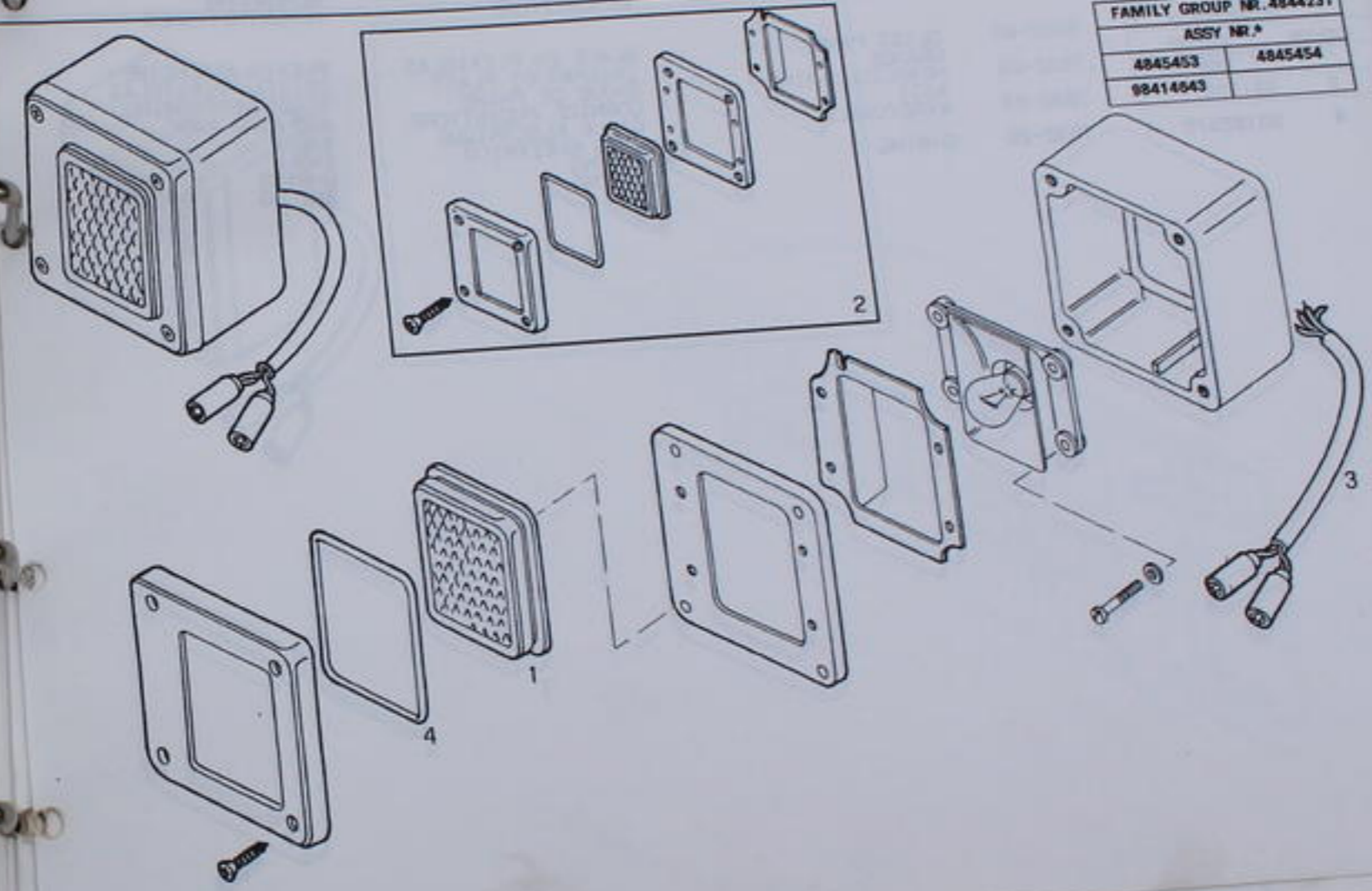
Components
Pièces
Telle
Parti
Piezas



ASSY NR.

5052-83 627 8904

FAMILY GROUP NR. 4844231	
ASSY NR. *	
4845453	4845454
98414943	



ITEM	P. NUMBER	QTY	TO-NR COD PROT	DESCRIPTION REMARK	DESIGNATION DESCRIZIONE	BENENNING DENOMINATIONS
1	8122797	1	5020-83	GLASS PANEL ORANGE	GLACE EN PLEXIGLAS TRASPARI PLAST.	PLEXIGLASSCHEIBE CRISTAL PLEXIGLAS
2	93155576	1	7632-20	HEADLIGHT RING ASSY	BAGUE DE PHARE CORNICE PROIETTORE	SCHEINWERFERRING ARO PARA FARO
3	93155577	1	7632-20	WIRE/CABLE	CABLE ELECTRIQUE CAVO ELEJTRICO	KABEL CABLE
4	93155578	1	7632-20	O-RING	O-RING	O-RING ANILLO

IVECO

Headlamp
Projecteur
Scheinwerfer
Proiettore
Proyector

Components
Pièces
Telle
Parti
Piezas

5052-83 627 8905

FAMILY GROUP NR. 4844231	
ASSY NR. *	
4844232	4844233
98414842	

